



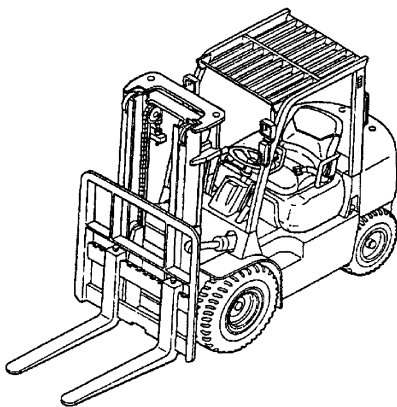
SERVICE MANUAL

4DQ7

for FD10
FD14
FD15
FD18

S4S

for FD20	AF18B00001-49999
FD25	AF18B00001-49999
	AF18B50001-50100
FD30	AF14C30001-49999
FD35A	AF14C50001-99999



Quality Makes the Difference

DIESEL ENGINE

October 1993

Foreword



This service manual has instructions and procedures for the subject on the front cover. The information, specifications, and illustrations used in this manual are based on information that was current at the time this issue was written.

Correct servicing will give these engines a long productive life. Before attempting to start a test, repair or rebuild job, be sure that you have studied the respective sections of this manual, and know all the components you will work on.

Safety is not only your concern but everybody's concern. Safe working habits cannot be bought or manufactured; they must be learned through the job you do. By learning what CAUTION or WARNING symbol emphasizes, know what is safe – what is not safe. Consult your foreman, if necessary, for specific instructions on a job, and the safety equipment required.

NOTES, CAUTIONS and WARNINGS

NOTES, CAUTIONS and WARNINGS are used in this manual to emphasize important and critical instructions. They are used for the following conditions:

- | | | |
|--|-------|---|
| NOTE | | An operating procedure, condition, etc., essential to highlight. |
|  CAUTION | | Operating procedures, practices, etc., which if not strictly observed, will result in damage to or destruction of engine. |
|  WARNING | | Operating procedures, practices, etc., which if not correctly followed, will result in personal injury or loss of life. |