

F800T

Spare parts list

Tracked paver

F800T s/n 10002133TFC005022

Engine: Cummins QSB 6.7 – C173 T4f engine



General information

Use only authorized parts. Any damage or malfunction caused by the use of unauthorized parts is not covered by Warranty or Product Liability. Any unauthorized use or copying of the contents or any part thereof is prohibited. This applies in particular to trademarks, model denominations, part numbers, and drawings.

Instructions for use

This spare parts list contains no safety regulations and is merely intended to assist in the ordering of spare parts.

For information about operating, servicing, or repairing, the relevant Safety and operating instructions must be consulted at all costs.

Please observe the safety instructions listed in the relevant Safety and operating instructions!

Contents

Service, repair and wear part kits

Kit, startup, 100hr	1
Kit, Maintenance, 500hr	3
Kit, Maintenance, 1000hr	5
Kit, Maintenance, 2000hr	7
Kit, Hopper skirt	9
4812313293 Kit, hopper skirt-low version	11
Kit, Chain, conveyor drive	13
Kit, Guide, conveyor	15
Conveyor chain, assembly	17
Kit, Conveyor plate	19
Kit, Sprocket, conveyor	21
Kit, Conveyor bearing	23
Kit, Rear plate	25
Hydraulic extension auger kit	27
Extend auger, 15FT KIT	29
Extend auger, 1FT KIT	31
Extend auger, 2FT KIT	33
Basic auger blade	35
Kit, key replacement	38
Screed dis-connect kit	41
D717955090 Uptime kit	43
4812313204 Bogie wheel kit	45
4812313162 Service cable tool	47

Mechanical

Frame assembly

Frame assembly	49
4812244687 Assembly, fume extractor	55
D717012501 Blower, Fume extractor	57

Cover assembly

Cover assembly	59
4812246964 Left door assembly	61
4812246991 Right door assembly	64

Engine cover

Engine Cover	67
Engine cover right front	70
Engine cover, middle front	73
Engine cover, left front	75
Engine cover, left rear	77
Engine cover middle rear	79
4812245166 Engine cover right rear	81

Screed arm assembly

Screed arm assembly	83
Front guide wheel	86
4812245559 Assembly, slope arm	89
4812248631 F800 scaleplate assembly	91
Left indicator scale assembly	93
Right indicator scale assembly	95

Hopper assembly

Hopper Assembly	97
Hopper hydraulic cylinder assembly	100
4812203839 Support	103

Footwell

Footwell	105
Footwell, left	107

Footwell middle	109
Footwell right	111
Conveyor drive assembly, 8' paver	
Conveyor drive assembly	113
Tensioner, assembly	115
Conveyor chain, assembly	See page 17
Lubrication system	117
Conveyor drive complete assembly	
Conveyor drive complete, assembly	119
Conveyor drive, assembly	121
Motor and gearbox	123
Push roller	
Push roller assembly, STD	
Push roller assembly	125
Push roller upper	127
4812223943 Roller assembly	129
Push roller assembly, safe impact hydraulic	
Push roller paver hydraulic	131
Push roller upper hydraulic	133
4812223943 Roller assembly	See page 129
Cylinder push roller assembly	135
Push roller option hydraulic kit	137
Truck hitch & push roller	
Truck hitch & push roller	139
4812244646 Flow control valve	141
Hopper skirt	
Hopper assembly, powerd apron (USA)	
Hopper assembly, powerd apron	143
Front plate option Hydr. kit	
Front plate option Hydr. kit	145
Front plate hic option	147
4812244646 Flow control valve	See page 141
Connector plate	149
Swinging arm RH	151
Swinging arm LH	153
Dam board hydro-cylinder assembly	155
Front hopper LH	157
Front hopper RH	159
Hopper assembly with powered apron (AUS)	
4812249456 Hopper assembly with powered apron (AUS)	161
4812204628 Front hopper, RH	163
Swinging arm RH	See page 151
Dam board hydro-cylinder assembly	See page 155
Swinging arm LH	See page 153
4812204629 Front hopper, LH	165
Front plate option hydr. kit	
Front plate option Hydr. kit	See page 145
Front plate hic option	See page 147
4812244646 Flow control valve	See page 141
Connector plate	See page 149
Hopper assembly skirt rubber	167
Hopper assembly short rubber	169

4812243302 Auger assembly, 8' paver

Auger assembly	171
Auger drive assembly	175
Gear box	177
4812246513 Basic auger blade	179
Main auger bearing	181
Lubrication oil	183
Prevent segregation device	185
Base backplate assembly	187
Left main support assembly	189
Right main support assembly	191
4812203041 Right extend auger	193
4812203040 Left extend auger 430-154	195
Conveyor plate assembly	197
Staircase assembly	200

Operator platform

Turning seat	203
Tool box, assembly	206

Engine

F800 Engine system	209
--------------------	-----

Engine assembly

4812245485 F800 engine assembly	211
F800 Engine assembly	217
4812243136 DEF Tank	219
F800 Engine after treatment	221
4812222043 Air cleaner	223
Hose, engine oil drain	225
Exhaust stack assembly	227
4812248665 F800t Cooling system	229
4812244732 Auxiliary water tank	234
4812248664 F800T cooler	237

Drive

Track group assembly, 8' track paver	239
--------------------------------------	-----

Track group paver RH

Track group paver RH	241
Drive sub-assembly	245
D717170600 Gearbox, track drive	247
Arm bracket assembly	251
Bogie assembly	253
Hub, idler wheel assembly	255
Bracket for hopper RH	257

Track group paver LH

Track group paver LH	259
4812246746 Bracket for hopper LH	263

Hydraulic system

Fuel tank assembly	265
--------------------	-----

Hydraulic component assembly

Hydraulic component assembly	269
Motor and gearbox	271

Pump drive complete

Pump drive complete	273
4812200078 Gear box, splitter	276
D717191000 Pump, propel front, assembly	281
D717191500 Pump, propel rear, assembly	292

4812222519 Gear pump, fan drive	304
D717193500 Pump, generator, assembly	307
Fittings assembly	316
F800 auger motor assembly	319

F800 drive motor assembly

F800 drive motor assembly	321
4812243622 Motor propel assembly	323
Fan motor assembly	325
Generator motor assembly	327

Hydraulic tank assembly

Hydraulic tank assembly	329
4812220770 Assembly, hydraulic filter tier IV	333
4812204470 F800T hydraulic accessories	335
Accumulator assembly	337
Case drain assembly	339
4812244900 Case drain block assembly	341
Return manifold assembly	343
Connector plate assembly	345
Drive motor adapter	347
4812248090 Hose kit, hydraulic F800	349
Filter assembly	355

F800 front main valve

F800 front main valve	357
4812247011 F800 front main valve	359

F800 rear hic standard

F800 rear hic standard	361
4812247008 F800 rear hic standard	363

Hic propel gearbox & pump

Hic propel gearbox & pump	365
4812247012 Hic, propel gearbox & pump	367

Hic, Vibration & fan assembly

HIC, Vibration & fan assembly	369
4812247014 Hic, vibration & fan	371
Support plate assembly	373

Electric system

Electrical system assembly

Electrical system assembly	375
DC control panel assembly	379

Generator drive assembly

Generator drive assembly	383
D717100501 Generator	385
Kit, lovejoy coupling	387
4812248146 Battery box assembly	389
D717104500 Assembly, AC main panel	391
4812245728 F800 Control box left	393
4812245737 F800 control box right	397
4812245944 Bracket sonic sensor	401
F800 DC cables	403
4812204449 F800 Electrical component kit	405
Beacon assembly	407
Roading lights assembly	409

Options

Add or reduce pressure hydraulic kit

Add or reduce pressure hydraulic kit	411
4812247009 Add or reduce pressure hyd kit	413
4812248266 Gauge support assembly	415
Centralization lubrication	417

4812245484 Carlson screed EZIV 8-15

Leveling

Kit, P-32 Dynapac paver	420
D717901501 Kit, Non-connectiong SAS	423
D717904500 Umbrella	425

Auger extension

Auger for 15 paving width

Auger for 15 paving width	427
Extend auger 380-2 left	429
Extend auger 380-1 left	431
Left bearing retainer assembly	433
Bearing retainer assembly	435
4812248911 Chute plate	437
4812248909 Chute plate	439
Right bearing retainer assembly	441
Extend auger 380-1 right	443
Extend auger 380-2 right	445
4812248906 Chute plate	447

4812244510 Hydraulic extension tunnel

Hydraulic extension tunnel	449
4812246713 Left main extension plate	451
4812246714 Right main extension plate	453
Oil tube protect plate assembly	455

Tunnel option hydraulic kit

Tunnel option hydraulic kit	457
4812246417 Tunnel option hydr. Hic	459

Extension auger 1ft kit

Extension auger 1 FT kit	461
4812248823 Left extension auger 1FT kit	463
Extend auger 380-2 left	See page 429
4812204563 Left extend auger	465
4812248825 Right extension auger 1FT kit	467
Extend auger 380-2 right	See page 445
4812204580 Right extend auger	469

Extension auger 2ft kit

Extension auger 2FT kit	471
4812248826 Left extension auger 2FT kit	473
4812204563 Left extend auger	See page 465
Extend auger 380-2 left	See page 429
4812248829 Right extension auger 2FT kit	475
Extend auger 380-2 right	See page 445
4812204580 Right extend auger	See page 469

Truck hitch

4812249800 Truck hitch	477
Truck hitch option hydr. kit	481
4812249286 Push roller tuck hitch tube	483
Truck hitch & push roller	See page 139
4812249308 Truck hitch hose kit	485

AUS kit, option

4812204545 AUS kit option	487
---------------------------	-----

4812204432 Auger sensor mount assembly	489
4720006041 Retainer	491
4812244624 AUS cable post assembly	493
4812204518 Level sensor mount assembly	495

Accessories

F800 Decals	497
Wash down system	501
4812243212 Manual kit	503
Appendix B:Parts Index	505

Service, repair and wear part kits Kit, startup, 100hr

NO EXPLODED VIEW
AVAILABLE
FOR THIS BOM

Item	Part No.	Name	Qty	L	SN INFO
0	4812273240	Kit, startup, 100hr	1		
1	4812243054	Fuel pre filter element	1		
2	4812243053	Fuel filter element	1		
3	4812220749	Element, high pressure filter	1		
4	4812269103	Kit, seal	1		
5	D717951135	Kit, seal rkm400	1		
6	4812220771	Element, filter	1		

Service, repair and wear part kits Kit, Maintenance, 500hr

NO EXPLODED VIEW
AVAILABLE
FOR THIS BOM

Item	Part No.	Name	Qty	L	SN INFO
0	4812273241	Kit, Maintenance, 500hr	1		
1	4812220919	Engine oil filter	1		
2	4812243054	Fuel pre filter element	1		
3	4812243053	Fuel filter element	1		
4	4812220921	Airfilter main	1		
5	4812220922	Airfilter safety	1		

Service, repair and wear part kits Kit, Maintenance, 1000hr

NO EXPLODED VIEW
AVAILABLE
FOR THIS BOM

Item	Part No.	Name	Qty	L	SN INFO
0	4812273242	Kit, Maintenance, 1000hr			
1	4812220919	Engine oil filter	1		
2	4812243054	Fuel pre filter element	1		
3	4812243053	Fuel filter element	1		
4	4812220921	Airfilter main	1		
5	4812220922	Airfilter safety	1		
6	4812220749	Element, high pressure filter	1		
7	4812269103	Kit, seal	1		
8	D717951135	Kit, seal rkm400	1		
9	4812220771	Element, filter	1		

Service, repair and wear part kits Kit, Maintenance, 2000hr

NO EXPLODED VIEW
AVAILABLE
FOR THIS BOM

Item	Part No.	Name	Qty	L	SN INFO
0	4812273243	Kit, Maintenance, 2000hr	1		
1	4812220919	Engine oil filter	1		
2	4812243054	Fuel pre filter element	1		
3	4812243053	Fuel filter element	1		
4	4812220921	Airfilter main	1		
5	4812220922	Airfilter safety	1		
6	4812220920	Belt, v-ribbed	1		
7	4812220749	Element, high pressure filter	1		
8	4812269103	Kit, seal	1		
9	D717951135	Kit, seal rkm400	1		
10	4812220771	Element, filter	1		
11	4812273370	Element, Breather	1		

Service, repair and wear part kits Kit, Hopper skirt

NO EXPLODED VIEW
AVAILABLE
FOR THIS BOM

Item	Part No.	Name	Qty	L	SN INFO
0	4812273377	Kit, Hopper skirt	1		
1	4812246657	Rubber plate	2		
2	4812246396	Press plate	1		
3	4812246362	Press plate	2		
4	4812246658	Rubber plate	1		

Service, repair and wear part kits 4812313293 Kit, hopper skirt-low version

NO EXPLODED VIEW
AVAILABLE
FOR THIS BOM

Item	Part No.	Name	Qty	L	SN INFO
0	4812313293	Kit, hopper skirt-low version	1		
1	4812246363	Rubber plate	2		
2	4812246369	Rubber plate	1		
3	4812246362	Press plate	2		
4	4812246396	Press plate	1		

Service, repair and wear part kits Kit, Chain, conveyor drive

NO EXPLODED VIEW
AVAILABLE
FOR THIS BOM

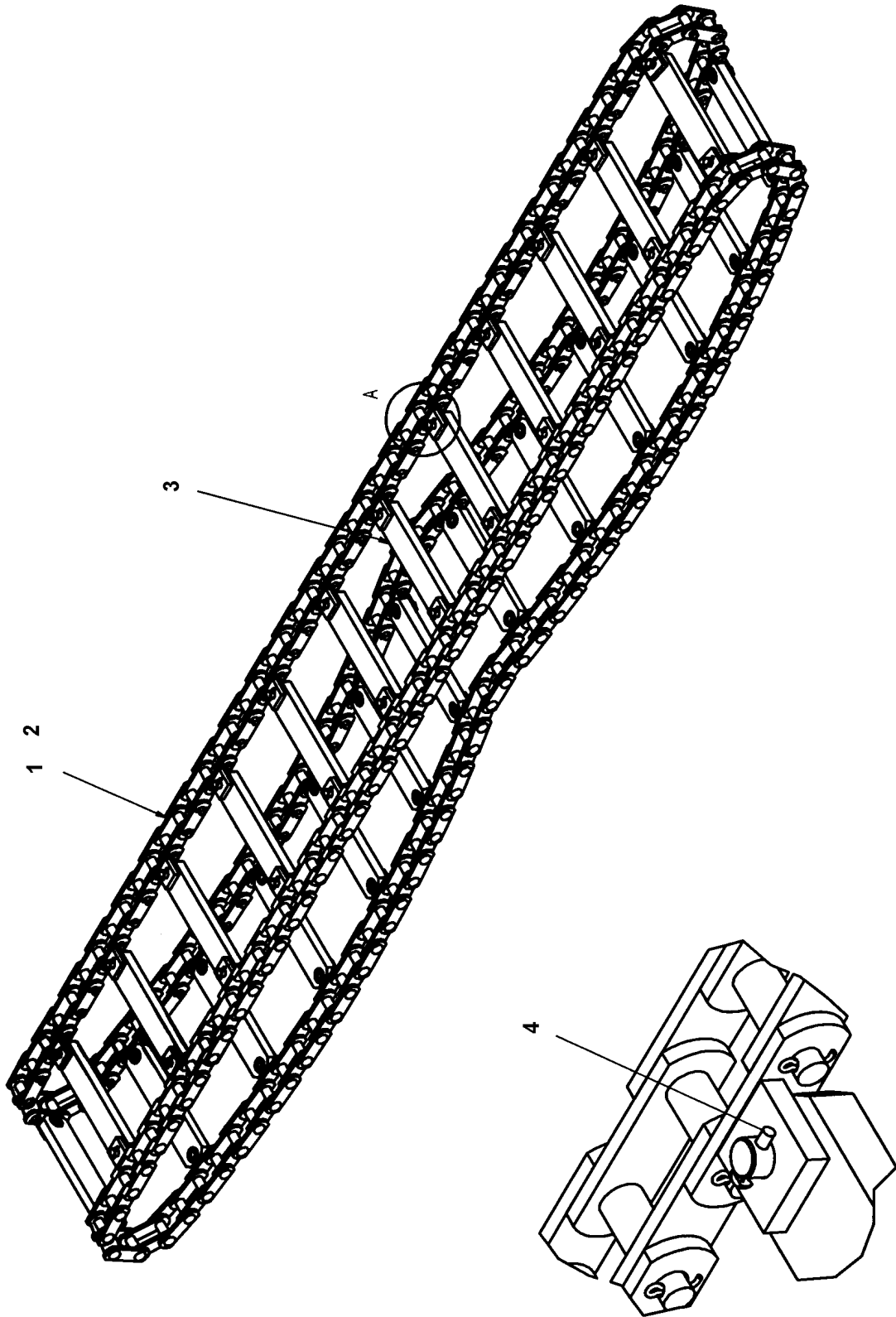
Item	Part No.	Name	Qty	L	SN INFO
0	4812273378	Kit, Chain, conveyor drive	1		
1	4812245513	Conveyor drive, sprocket	2		
2	4812245382	Chain	2		
3	4812245420	Sprocket	2		
4	D717952374	Key,driveshaft	2		
5	5730011229	Threaded pin	2		

Service, repair and wear part kits Kit, Guide, conveyor

NO EXPLODED VIEW
AVAILABLE
FOR THIS BOM

Item	Part No.	Name	Qty	L	SN INFO
0	4812274410	Kit, Guide, conveyor	1		
1	4812223501	Middle chain support	1		
2	4812223935	Outer chain support	2		
3	4812246698	Side plate	1		
4	4812246699	Side plate	1		
5	4812246701	Side plate	1		
6	4812245300	Side plate	1		
7	4812245049	Middle plate, weldment	1		
8	4812245064	Middle plate, weldment	1		
9	4812223998	Screw	2		
10	4812223999	Washer	2		
11	0147195899	Screw m16x150	4		
12	4812240074	Washer	4		
13	0301237800	Plain washer	4		
14	0147147903	Hex head screw	8		
15	D939130018	Washer	12		
16	D939776124	Washer	4		

Service, repair and wear part kits Conveyor chain, assembly



Item	Part No.	Name	Qty	L	SN INFO
0	4812245370	Conveyor chain, assembly	1		
1	4812245380	Conveyor chain	2		
2	4812245383	Connect chain	2		
3	4812245399	Conveyor crossbar, weldment	24		
4	4812200009	Lock pin	48		

Service, repair and wear part kits Kit, Conveyor plate

NO EXPLODED VIEW
AVAILABLE
FOR THIS BOM

Item	Part No.	Name	Qty	L	SN INFO
0	4812274411	Kit, Conveyor plate	1		
1	4812245404	Conveyor front plate LH	1		
2	4812245403	Conveyor plate front RH	1		
3	4812245051	Conveyor plate	2		
4	4812245343	Conveyor drive cover, weldment	2		
5	D939776115	Washer	16		
6	4812223879	Narrow washer	8		
7	0291118549	Hexagon nut	8		

Service, repair and wear part kits Kit, Sprocket, conveyor

NO EXPLODED VIEW
AVAILABLE
FOR THIS BOM

Item	Part No.	Name	Qty	L	SN INFO
0	4812274412	Kit, Sprocket, conveyor	1		
1	D717060504	Bearing, shaft	4		
2	4812223916	Assembly, sprocket	4		
3	4812245438	Housing	1		
4	4812246038	Housing	1		
5	D717061003	Bearing, conveyor drive middle	2		
6	D717061004	Bearing, conveyor drive end	2		
7	D717061022	Key, 2.375'	2		
8	D717061023	Key, 3.125'	2		
9	4812223893	Spacer, outer conv sp	2		
10	4812223894	Cap, shaft end	2		
11	4812247996	Housing bearing	1		
12	4812240170	Circlip	2		
13	4812242654	Weldment, sprocket & hub	2		
14	4812242627	Weldment, sprocket & hub	2		
15	0216110059	Countersunk screw	2		
16	4732512399	Threaded pin	4		
17	4812240074	Washer	4		
18	0147149103	Hex. head screw	4		
19	D937932512	Hexagon socket head cap screw	2		

Service, repair and wear part kits Kit, Conveyor bearing

NO EXPLODED VIEW
AVAILABLE
FOR THIS BOM

Item	Part No.	Name	Qty	L	SN INFO
0	4812274413	Kit, Conveyor bearing	1		
1	D717060504	Bearing, shaft	4		
2	4812245438	Housing	1		
3	4812246038	Housing	1		
4	D717061003	Bearing, conveyor drive middle	2		
5	D717061004	Bearing, conveyor drive end	2		
6	4812240170	Circlip	2		

Service, repair and wear part kits Kit, Rear plate

NO EXPLODED VIEW
AVAILABLE
FOR THIS BOM

Item	Part No.	Name	Qty	L	SN INFO
0	4812274414	Kit, Rear plate	1		
1	4812245343	Conveyor drive cover, weldment	2		

Service, repair and wear part kits Hydraulic extension auger kit

NO EXPLODED VIEW
AVAILABLE
FOR THIS BOM

Item	Part No.	Name	Qty	L	SN INFO
0	4812274490	Hydraulic extension auger kit	1		
1	4812247069	Sleeve	2		
2	4812247882	Special auger, left 380MM	1		
3	4812247066	Bolt	4		
4	0333310042	Schnorr-lock washer	4		
5	4749901556	Nut	4		
6	4812247883	Special auger, right 380MM	1		

Service, repair and wear part kits Extend auger, 15FT KIT

NO EXPLODED VIEW
AVAILABLE
FOR THIS BOM

Item	Part No.	Name	Qty	L	SN INFO
0	4812274491	Extend auger, 15FT KIT	1		
1	4812246070	Left special half auger, 380mm	3		
2	4812246071	Right special half auger,380mm	5		
3	4812247882	Special auger, left 380MM	1		
4	4812247883	Special auger, right 380MM	1		
5	4812247066	Bolt	20		
6	0333310042	Schnorr-lock washer	20		
7	4749901556	Nut	20		
8	4812247069	Sleeve	2		

Service, repair and wear part kits Extend auger, 1FT KIT

NO EXPLODED VIEW
AVAILABLE
FOR THIS BOM

Item	Part No.	Name	Qty	L	SN INFO
0	4812274492	Extend auger, 1FT KIT	1		
1	D380001258	Auger wing, l.h., short	1		
2	D380001259	Auger wing, r.h., short	1		
3	4812246070	Left special half auger, 380mm	2		
4	4812246071	Right special half auger,380mm	2		
5	4812247066	Bolt	12		
6	0333310042	Schnorr-lock washer	12		
7	4749901556	Nut	12		
8	4812203211	Sleeve	4		
9	0147149103	Hex. head screw	4		

Service, repair and wear part kits Extend auger, 2FT KIT

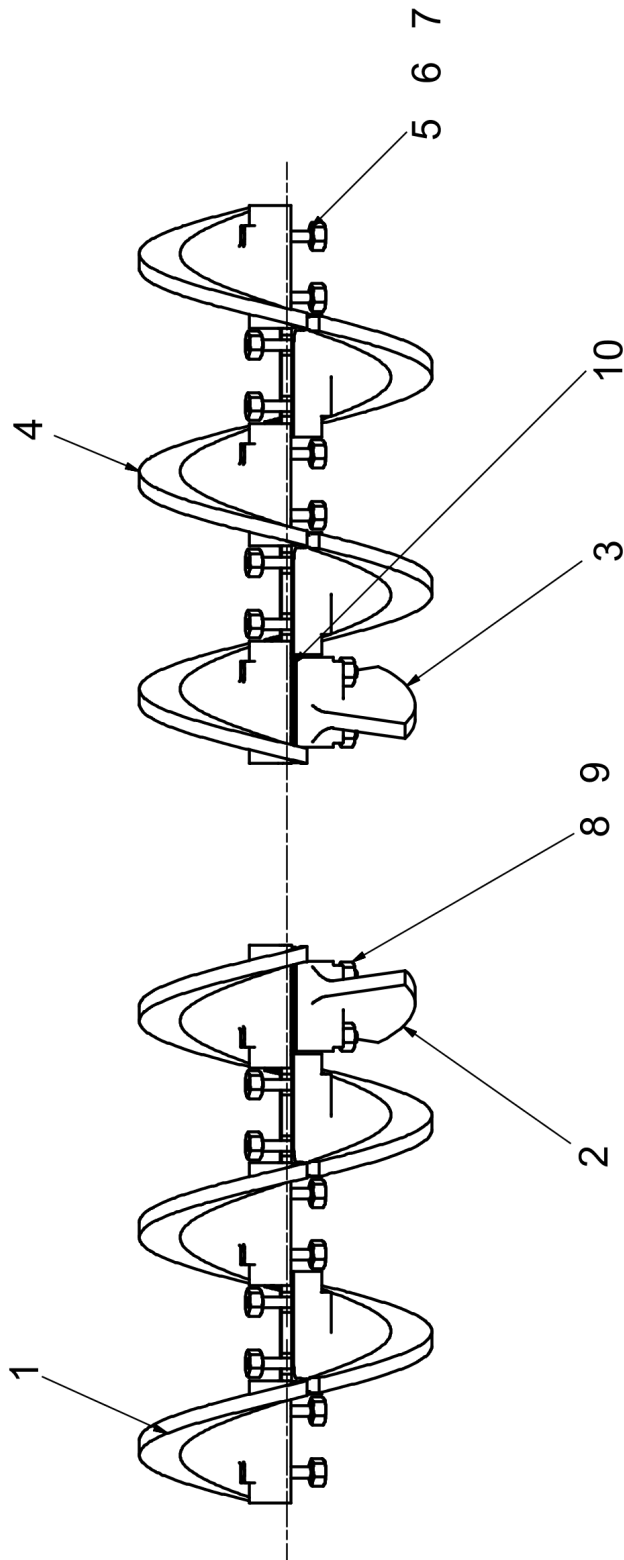
NO EXPLODED VIEW
AVAILABLE
FOR THIS BOM

Item	Part No.	Name	Qty	L	SN INFO
0	4812274493	Extend auger, 2FT KIT	1		
1	4812246070	Left special half auger, 380mm	4		
2	4812246071	Right special half auger,380mm	4		
3	4812247066	Bolt	16		
4	0147149103	Hex. head screw	4		
5	0333310042	Schnorr-lock washer	20		
6	4749901556	Nut	20		
7	4812203211	Sleeve	4		
8	D380001258	Auger wing, l.h., short	1		
9	D380001259	Auger wing, r.h., short	1		

Service, repair and wear part kits Basic auger blade

NO EXPLODED VIEW
AVAILABLE
FOR THIS BOM

Item	Part No.	Name	Qty	L	SN INFO
0	4812246513	Basic auger blade	1		
1	4812243446	Half auger 430-180 left	5		
2	4812247883	Special auger, right 380MM	1		
3	4812247882	Special auger, left 380MM	1		
4	4812243447	Half snail right, 430mm	5		
5	0333310042	Schnorr-lock washer	16		
6	4749901556	Nut	16		
7	0147149103	Hex. head screw	16		
8	0147195899	Screw m16x150	4		
9	4812249965	Nut	4		
10	4812249995	Half sleeve	2		



Refer to Parts Online for the most up to date information. The printed information might be outdated.

Wed Oct 21 01:59:59 MDT 2015

This page intentionally left blank

Service, repair and wear part kits Kit, key replacement

NO EXPLODED VIEW
AVAILABLE
FOR THIS BOM

Item	Part No.	Name	Qty	L	SN INFO
0	4812274494	Kit, key replacement	1		
1	4812274575	Key	2		
2	4812313254	Key	3		
3	4812273318	Key	1		
4	4700902866	Key Marked "455"	1		
5	D717103002	Switch, key ignition	1		
6	4812313295	Key	1		

Service, repair and wear part kits Screed dis-connect kit

NO EXPLODED VIEW
AVAILABLE
FOR THIS BOM

Item	Part No.	Name	Qty	L	SN INFO
0	4812248743	Screed dis-connect kit			
1	0147163603	Hexagon head bolt M24 x 80 mm 8.8	8		
2	D939776134	Washer	8		
3	4812247546	Plate	2		
4	4812248185	Levelling sensor mount	2		
5	4812220082	Reflector strip	2		
6	4812220081	Reflector strip	2		
7	4812220095	Reflector strip	2		
8	4812220077	Reflector strip	1		
9	4812220078	Reflector strip	1		
10	4812220097	Decal, hight voltage	2		
11	4812220079	Reflector strip	1		
12	4812220080	Reflector strip	2		
13	4812246935	Hose	2		
14	4812246936	Hose	1		
15	4812246937	Hose	1		
16	4812246938	Hose	1		
17	4812248704	Hose	1		
18	4812248705	Adapter	1		

Service, repair and wear part kits D717955090 Uptime kit

NO EXPLODED VIEW
AVAILABLE
FOR THIS BOM

Item	Part No.	Name	Qty	L	SN INFO
1	D717951695	Box	1		
2	4812221070	Coil cable, auger sensor	1		
3	4812220979	Coil cable, conveyor	1		
4	D717101509	Pressure switch	1		
6	D717101013	Relay starter solenoid	1		
7	D717951247	Coil	1		
8	D717103022	Toggle switch, 3	3		
9	D717104006	Relay latch	1		
10	D717103021	Toggle switch, 1	3		
11	D717103010	Push button, parking brake	1		
12	D717103003	Toggle switch, 7	3		
13	D717103018	Toggle switch, 3	3		
14	D717103001	Push button e-stop	1		
15	D717104005	Relay, 24V	1		
16	D717103011	Push button, horn	1		
17	D717103016	NO contact	1		
18	D717103015	NC contact, block	1		
19	D717103017	Maintained action block	1		
20	D717104041	Relay, 24V	1		
21	D717101024	Fuse, 3A	5		
22	D717101025	Fuse, 5A	5		
23	D717101026	Fuse, 10A	5		
24	D717101027	Fuse, 15A	5		
25	D717101045	Fuse, 30A	1		
26	D717101047	Fuse, 50A	2		
27	D717101046	Fuse, 100A	2		
28	D717101048	Fuse, 125A	2		

Service, repair and wear part kits 4812313204 Bogie wheel kit

NO EXPLODED VIEW
AVAILABLE
FOR THIS BOM

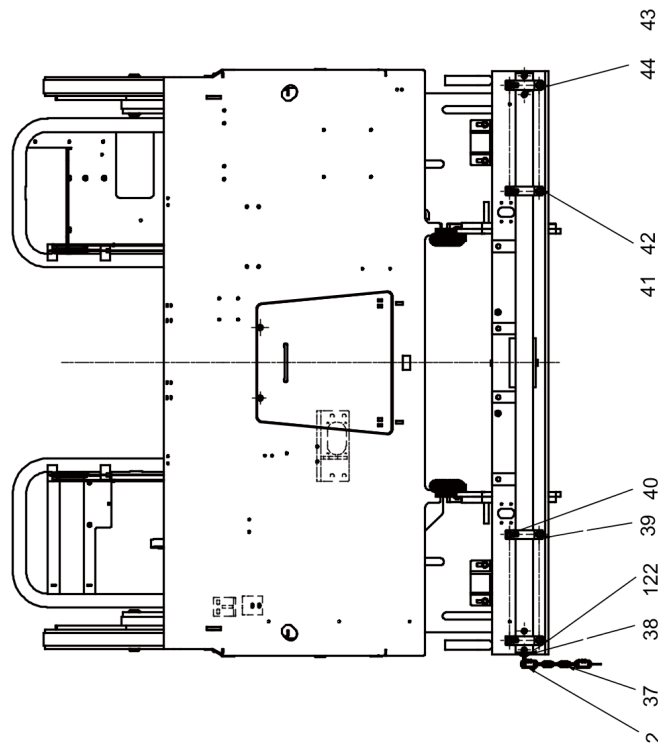
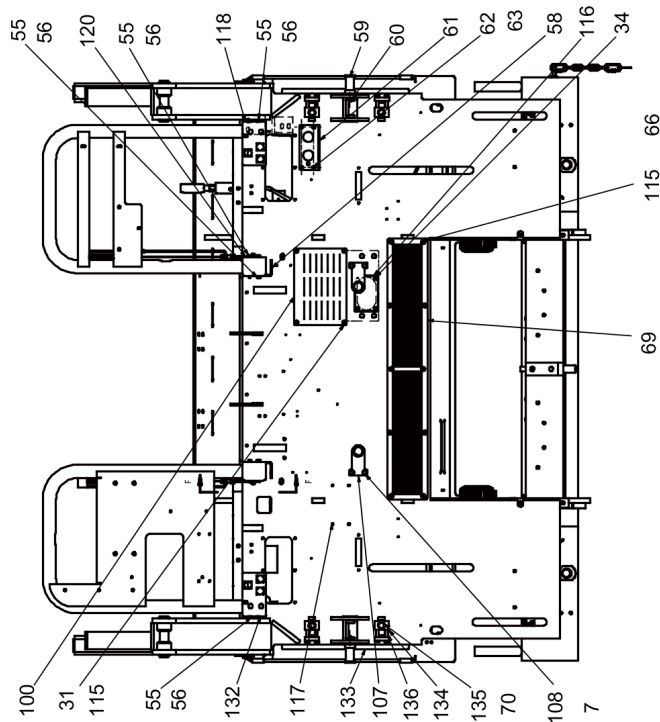
Item	Part No.	Name	Qty	L	SN INFO
0	4812313204	Bogie wheel kit	1		
1	4812243327	Bonded roller wheel	24		
2	4812243325	Bonded drive wheel RH	1		
3	4812244174	Bonded drive wheel LH	1		
4	4812243336	Bonded idler wheel	4		
5	4812245852	Bearing, bogie wheel	24		

Service, repair and wear part kits 4812313162 Service cable tool

NO EXPLODED VIEW
AVAILABLE
FOR THIS BOM

Item	Part No.	Name	Qty	L	SN INFO
0	4812313162	Service cable tool	1		
1	D717951884	Harness	1		
2	4700792584	SERVICE CABLE	1		

Frame assembly Frame assembly



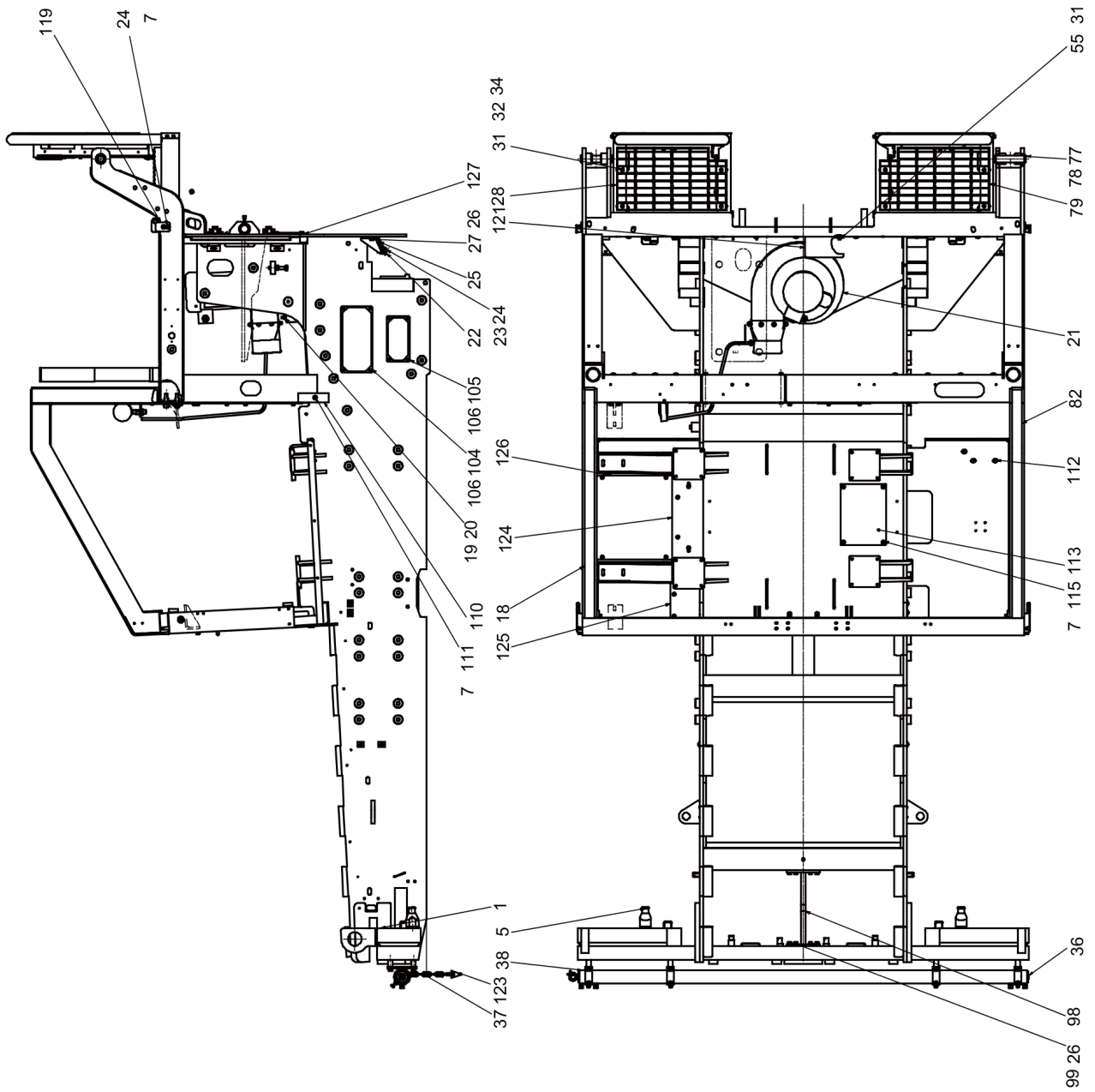
Refer to Parts Online for the most up to date information. The printed information might be outdated.

Wed Oct 21 02:00:05 MDT 2015

Item	Part No.	Name	Qty	L	SN INFO
1	4812245765	Frame weldment	1		
2	4812223255	Chain connecting link	2		
5	4812245738	Circlip	2		
7	0301234400	Plain washer M10.5/22	14		
18	4812245874	Frame, right side	1		
19	4749901807	Washer	8		
20	0266211100	Hexagon nut	8		
21		Fume extractor, assembly	1		
22	4812245867	Plate	2		
23	0300013038	Flat washer	4		
24	0147136203	Hex head screw M10 x 25	16		
25	4812245854	Back dirt board	2		
26	D939776117	Flat washer	12		
27	0147140003	Hex head screw M12 x 25	4		
28	4812248666	Grating plate RH	1		
31	0301233500	Washer DIN125	16		
32	4812240307	Washer	8		
34	0211132303	Hex sock screw	12		
36	4812245872	Post	1		
37	D717011523	Chain, guide pole	1		
38	4812245881	Support pipe weldment	1		
39	4812248140	Weldment, guide pole support	4		
40	0147136403	Hex. head screw	4		
41	4812223878	Washer	8		
42	0147143803	Hexagon head screw	8		
43	0266211200	Nut	4		
44	0147140203	Hex. head screw M12 x 35	4		
45	4812040668	Draw spring	2		
46	4812039248	Clamping	2		
47	4749302758	Blind rivet	4		
48	4812247323	Scale plate of auger elevating	2		
49	4812039250	Rope	2		
50	D961906006	Straight bulkhead coupling	2		
51	D961102056	Olive	2		
52	4749220238	Nut	2		
53	4812245858	Pipe	2		
54	D930421803	Rope clamp	2		

Refer to Parts Online for the most up to date information. The printed information might be outdated.

Wed Oct 21 02:00:05 MDT 2015

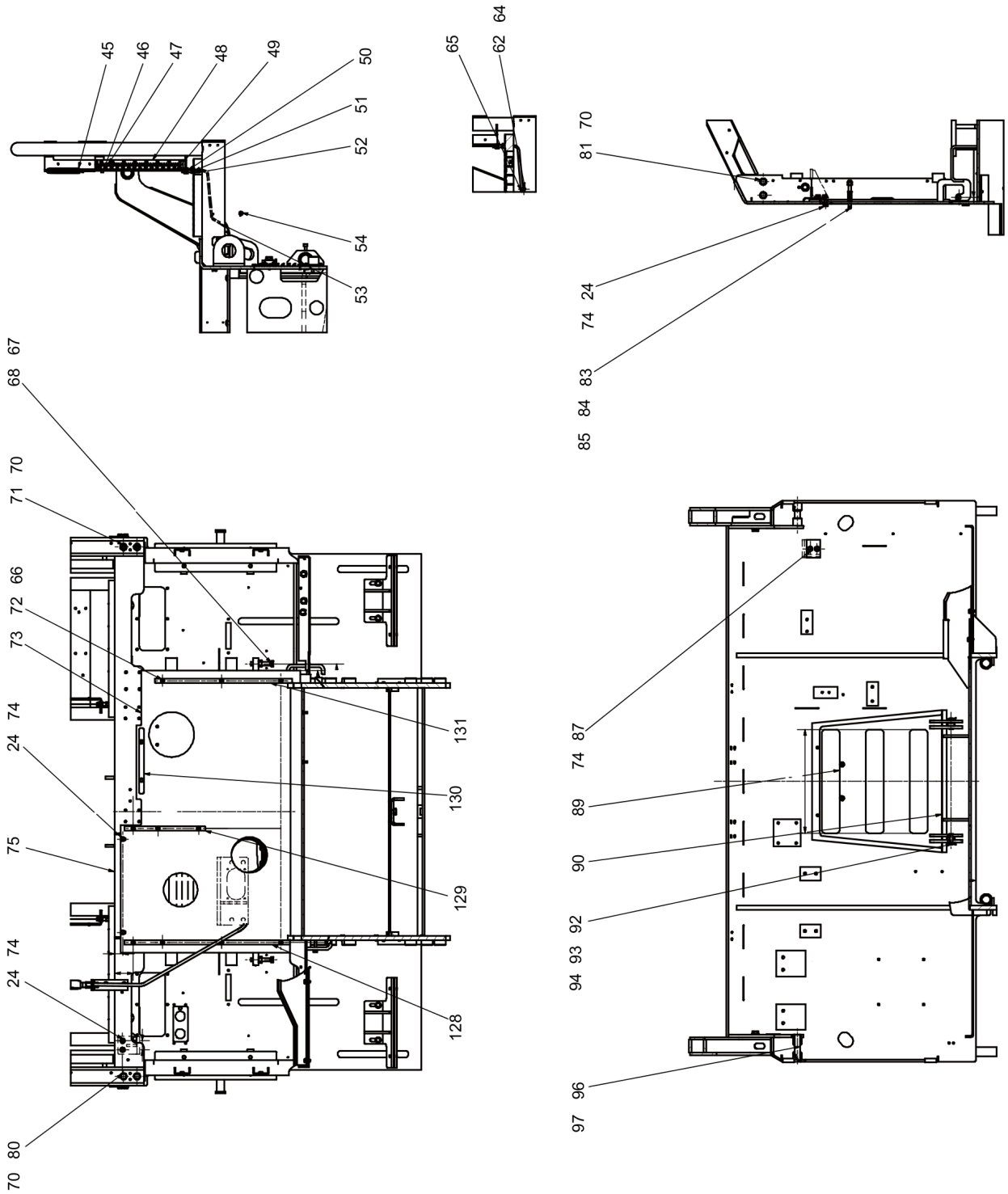


Refer to Parts Online for the most up to date information. The printed information might be outdated.
Wed Oct 21 02:00:05 MDT 2015

Item	Part No.	Name	Qty	L	SN INFO
55	0147132303	Screw DIN933	26		
56	4749901806	Washer	12		
58	4812245856	Bend plate	2		
59	4812245863	Pin	2		
60	0211136903	Hexagon socket head cap screw	2		
61	4812248141	Plate, bulk head mounting	1		
62	0147124703	Hex. head screw M6 x 20	6		
63	4749901860	Washer	4		
64	0301232100	Washer DIN125	2		
65	D934360025	Clamp	2		
66	D939776113	Washer	32		
67	5730007616	Hexagon nut	2		
68	D938150880	Hexagon screw	2		
69	4812204500	Cover	1		
70	D939776124	Washer	12		
71	0211148103	Hexagon socket head cap screw	2		
73	4812245869	Plate	1		
74	D939776115	Washer	10		
75	4812245857	Bend support	1		
77	4812245862	Pin	2		
78	4812240437	Circlip	4		
79	4812248660	Grating plate, LH	1		
80	0147147703	Hex head screw M16 x 40	2		
81	0147147603	Hex. head screw M16 x 35	4		
82	4812245861	Frame left side	1		
83	4812245855	Handle	1		
84	4812240793	Spring	2		
85	0291112822	Locknut	2		
87	0147136303	Hex. head screw	2		
89	4812243865	Non-slip stickers	3		
90	4812245865	Plate	1		
92	4812241113	Pin	2		
93	5730015892	Cotter pin	2		
94	0301235800	Plain washer 13 x 24 x 2.5	2		
96	4812245864	Pin	2		
97	4812240137	Pin	2		
98	4812246442	Support plate	1		

Refer to Parts Online for the most up to date information. The printed information might be outdated.

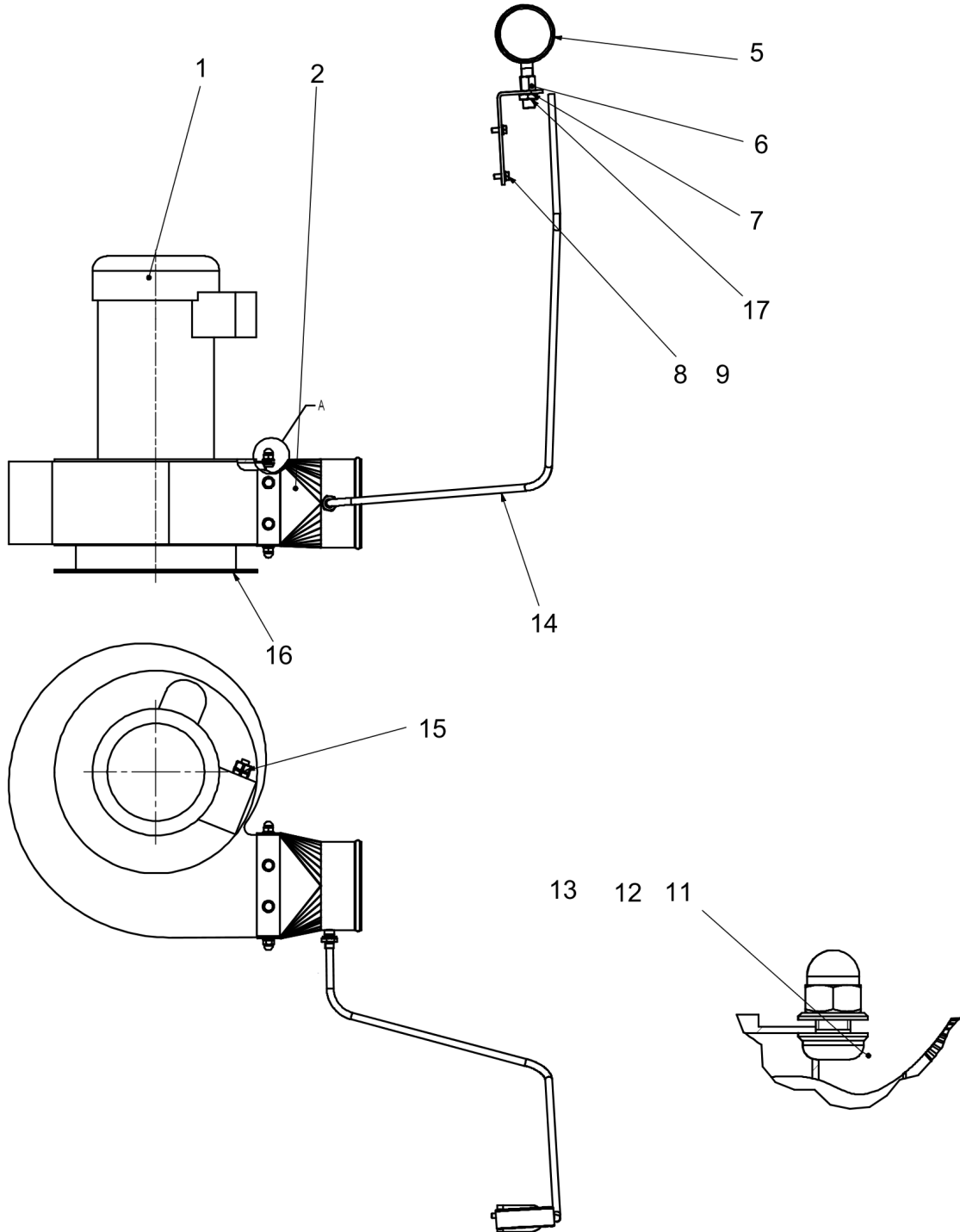
Wed Oct 21 02:00:05 MDT 2015



Refer to Parts Online for the most up to date information. The printed information might be outdated.
Wed Oct 21 02:00:05 MDT 2015

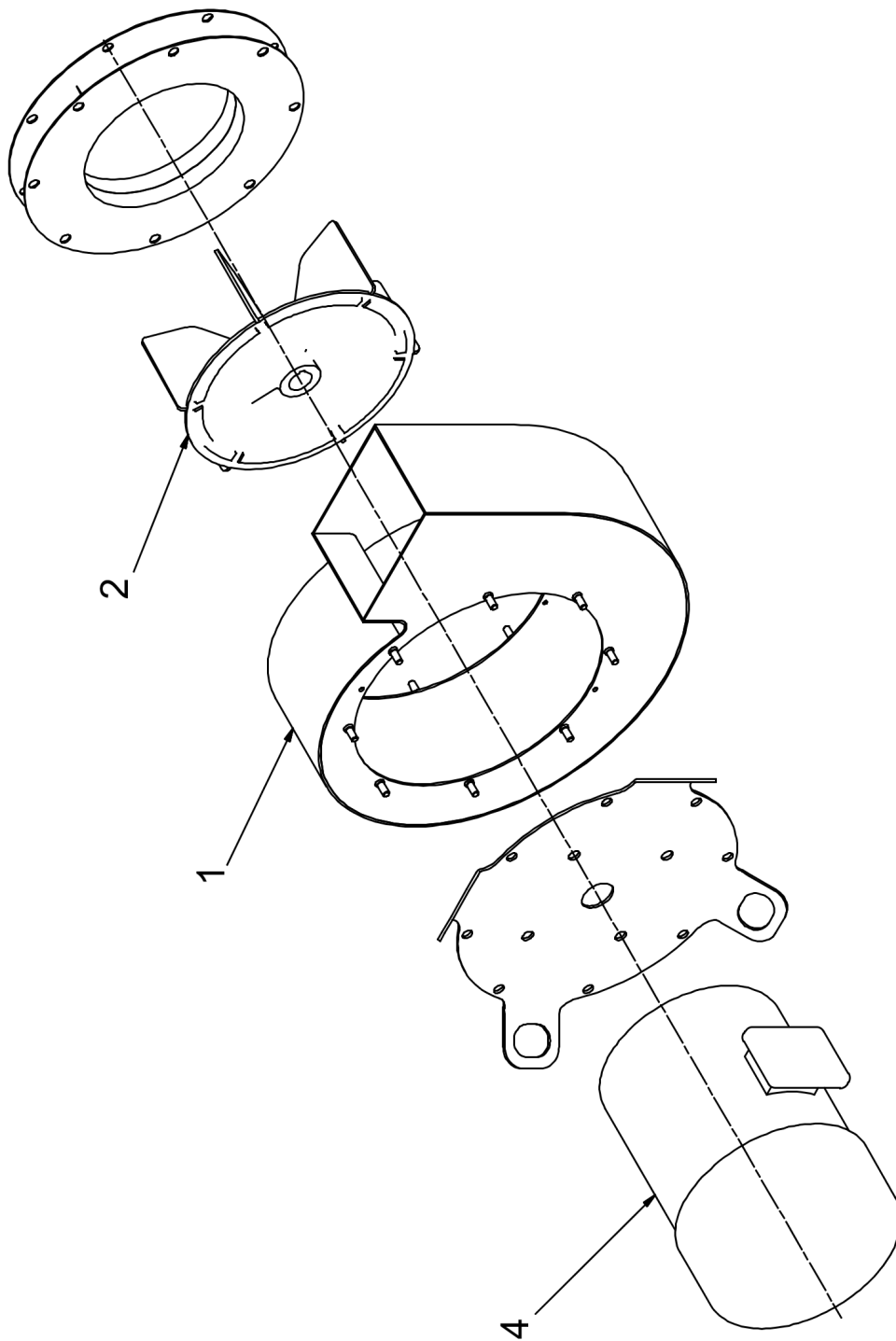
Item	Part No.	Name	Qty	L	SN INFO
99	0147140103	Hex head screw M12 x 30	8		
100	4812246661	Cover generater access hole	1		
104	4812247927	Cover upper inspection	2		
105	4812247947	Cover inspection	2		
106	0216195761	Hex. Sock screw, M8x25, 8.8	16		
107	4812247050	Feed sensor bracket	2		
108	0147136003	Hex. head screw M10 x 20	4		
110	4700372586	Hose clamp	2		
111	0147136912	Hex. Head screw	2		
112	4700394701	Wiring clip	3		
113	4812247435	Cover plate	1		
115	D499018630	Screw	18		
116	4812247714	Cover plate	1		
117	4700791709	Blind rivet	4		
118	4812248002	Cover plate	1		
119	4812246450	Stop plate	2		
120	4812248145	Cover plate	1		
121	4812248409	Bend plate	1		
122	4812249635	Left ring	1		
123	4812248504	Guide plate	1		
124	4812248564	Plate	1		
125	4812248690	Rubber plate	1		
126	4812248713	Support plate	1		
127	4812249609	Plate	1		
128	4812249613	Plate	1		
129	4812249629	Plate	1		
130	4812249628	Plate	1		
131	4812249627	Plate	1		
132	4812204122	Cover plate-LH	1		
133	4812204121	Dam board	2		
134	4812204322	Block	4		
135	0147196180	Screw hexagon	4		
136	0147195877	Hexagon head screw	8		
137	4812204643	Cover plate	1		

Frame assembly 4812244687 Assembly, fume extractor



Item	Part No.	Name	Qty	L	SN INFO
1	D717012501	Blower fume extractor	1		
2	4812249872	Weldment, fume ext	1		
5	4812245646	Barometer	1		
6	4812245983	Adapter	1		
7	4812245727	Bracket	1		
8	0147132303	Screw DIN933	2		
9	D939776113	Washer	2		
11	0215001085	Hexagon socket button head screw	8		
12	0301234400	Plain washer M10.5/22	16		
13	0277131100	Hexagon domed cap nut	8		
14	4812245984	Pipe	1		
15	D717104516	Fitting straight, 1/2'	1		
16	4812246257	Rubber plate	1		
17	4812246470	Hex nut	1		

Frame assembly D717012501 Blower, Fume extractor

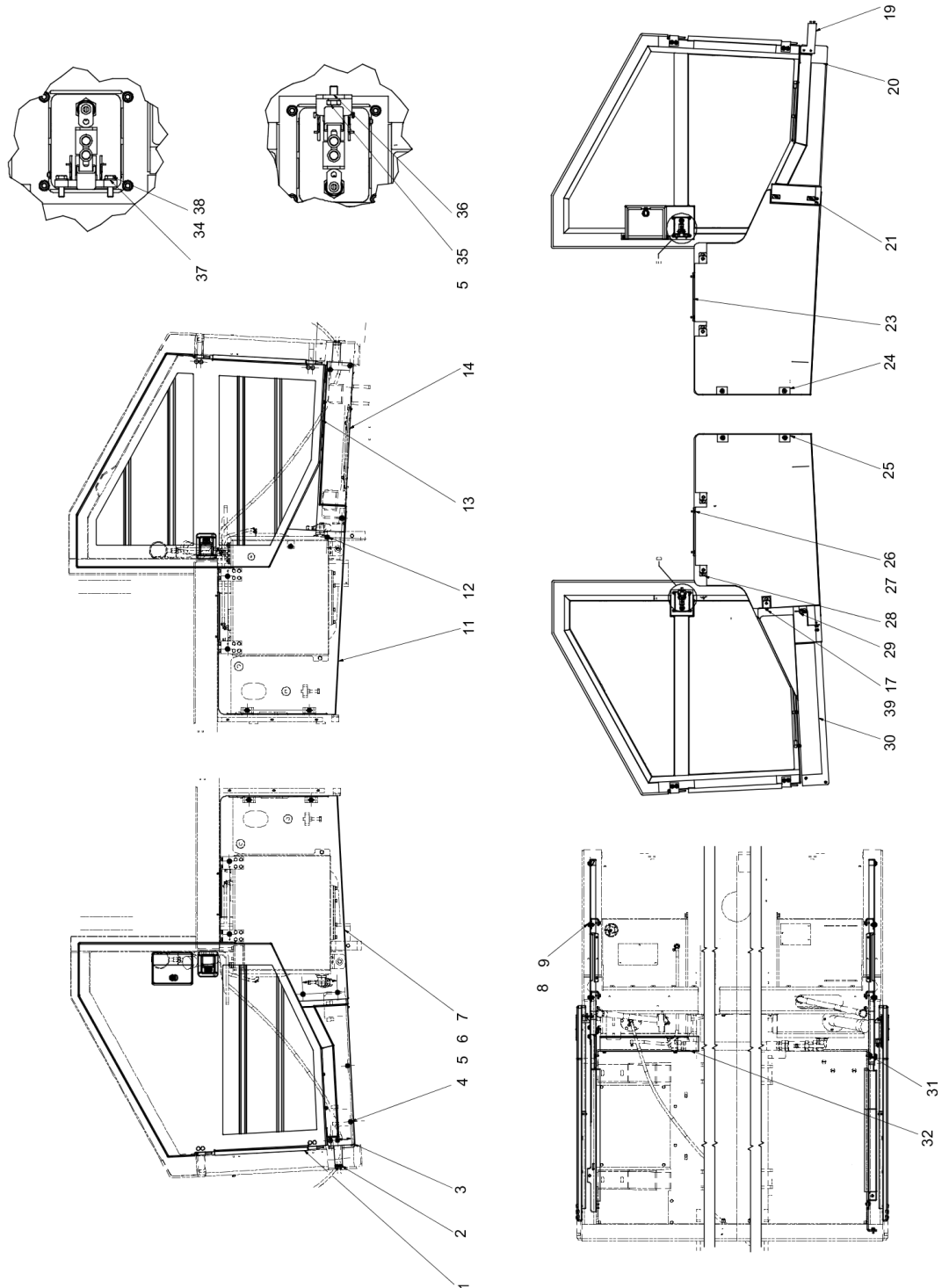


Refer to Parts Online for the most up to date information. The printed information might be outdated.

Wed Oct 21 02:00:06 MDT 2015

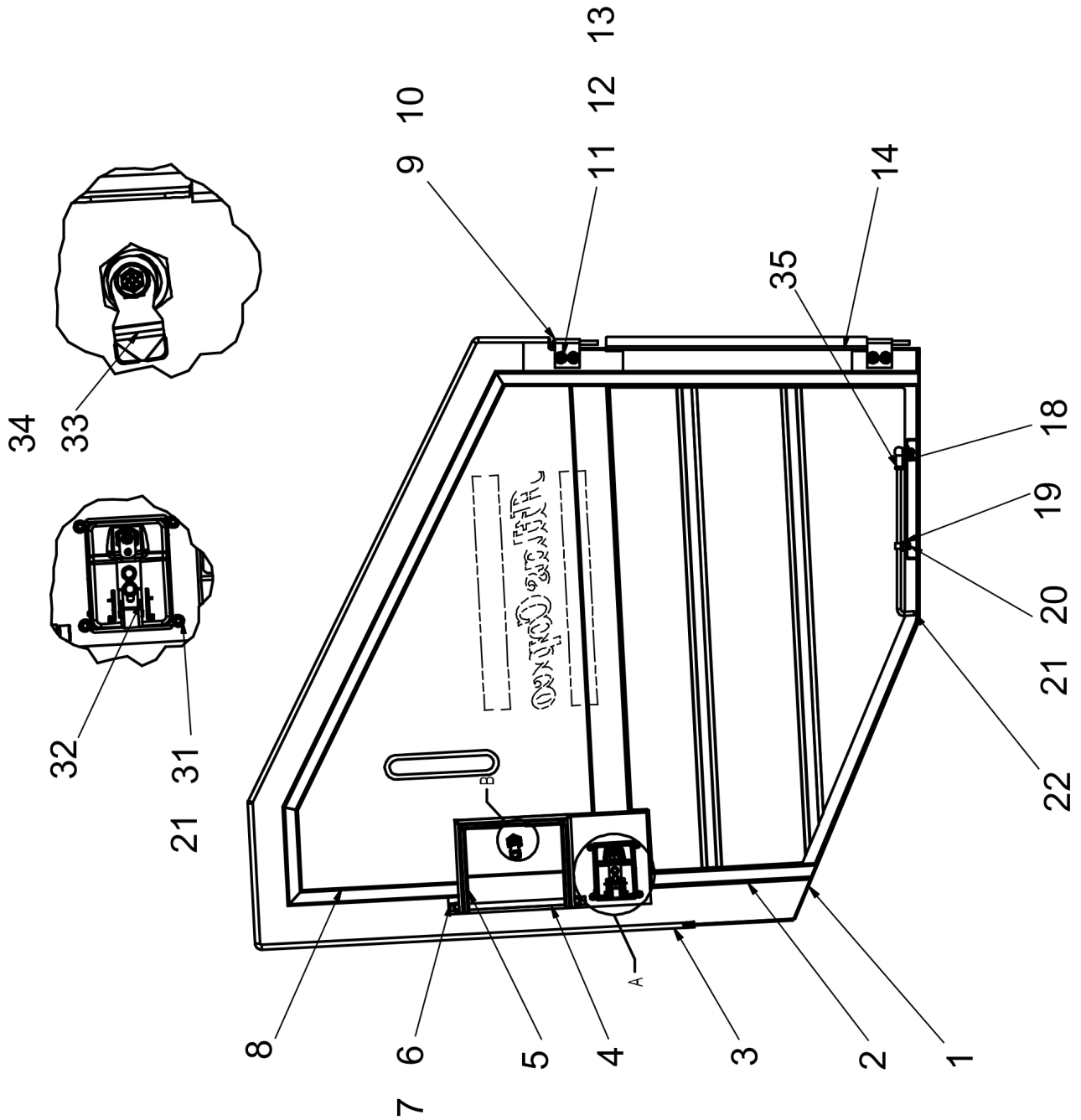
Item	Part No.	Name	Qty	L	SN INFO
1	4812313168	Housing	1		
2	4812313169	Machined aluminum wheel	1		
4	4812313170	Motor	1		

Cover assembly Cover assembly



Item	Part No.	Name	Qty	L	SN INFO
1	4812246964	Left door, assembly	1		
2	0301233500	Washer DIN125	10		
3	4812246989	Wind plate	1		
4	0215001064	Hexagon socket button head screw	7		
5	4812240307	Washer	3		
6	0300013040	Flat washer	9		
7	4812245621	Wind plate	1		
8	D930240616	Washer	12		
9	4812032462	Pivot	9		
11	4812245634	Wind plate	1		
12	4812032461	Pivot	3		
13	4812246991	Right door, assembly	1		
14	4812247031	Wind plate	1		
17	0147132303	Screw DIN933	9		
19	4812247038	Bend plate	1		
20	4812247039	Insulation 20mm	1		
21	4812247040	Insulation 20mm	1		
23	4812247042	Bend plate	2		
24	4812245705	Insulation-20mm	1		
25	4812245718	Insulation-20mm	1		
26	0147124603	Screw	4		
27	4812241086	Washer	4		
28	4812247044	Shackle	5		
29	4812246326	Insulation-20mm	1		
30	4812247049	Insulation	1		
31	0211132203	Hex sock. screw	2		
32	4812248581	Wind plate	1		
34	0301232100	Washer DIN125	2		
35	0147132203	Hex. head screw M8 x 16	3		
36	4812249471	Lock plate	1		
37	4812249472	Lock plate	1		
38	0147124703	Hex. head screw M6 x 20	2		

Cover assembly 4812246964 Left door assembly



Refer to Parts Online for the most up to date information. The printed information might be outdated.

Wed Oct 21 02:00:08 MDT 2015

Item	Part No.	Name	Qty	L	SN INFO
1	4812246965	Left door, weldment	1		
2	4812246979	Insulation 20mm	1		
3	D930235495	Profiled joint x m	2.38		
4	4812246982	Lock plate	1		
5	4812245401	Sealing strip	2		
6	4812240226	Washer	2		
7	4812246956	Bolt	2		
8	4812246199	Insulation-20mm	1		
9	4812033146	Hinge	2		
10	4812033152	Pin	2		
11	0226991529	Flat head screw	4		
12	0291118802	Hexagon nut	5		
13	D939505023	Washer	5		
14	4812246984	Insulation	1		
18	D934801313	Joint	1		
19	D953509710	Clip	1		
20	0147124403	Hex. head screw	1		
21	0301232100	Washer DIN125	5		
22	4812041413	Support rod	1		
31	0291112854	Hexagon nut	4		
32	4812249467	Side door lock	1	A	
01	4812274575	Key	1		
32	4812204414	Side door lock	1	B	
01	4812313254	Key	1		
33	4812204434	Handle	1		
34	4812246986	Lock	1	C	
01	4812273318	Key	1		
34	4812204420	Lock	1	D	
01	4812313254	Key	1		
35	0261109160	Hexagon nut	1		

Comments for Page: 4812246964 Left door assembly

(L)OCAL REMARK

A | Use Item 4812249467 from SN: 10002133TFC005022

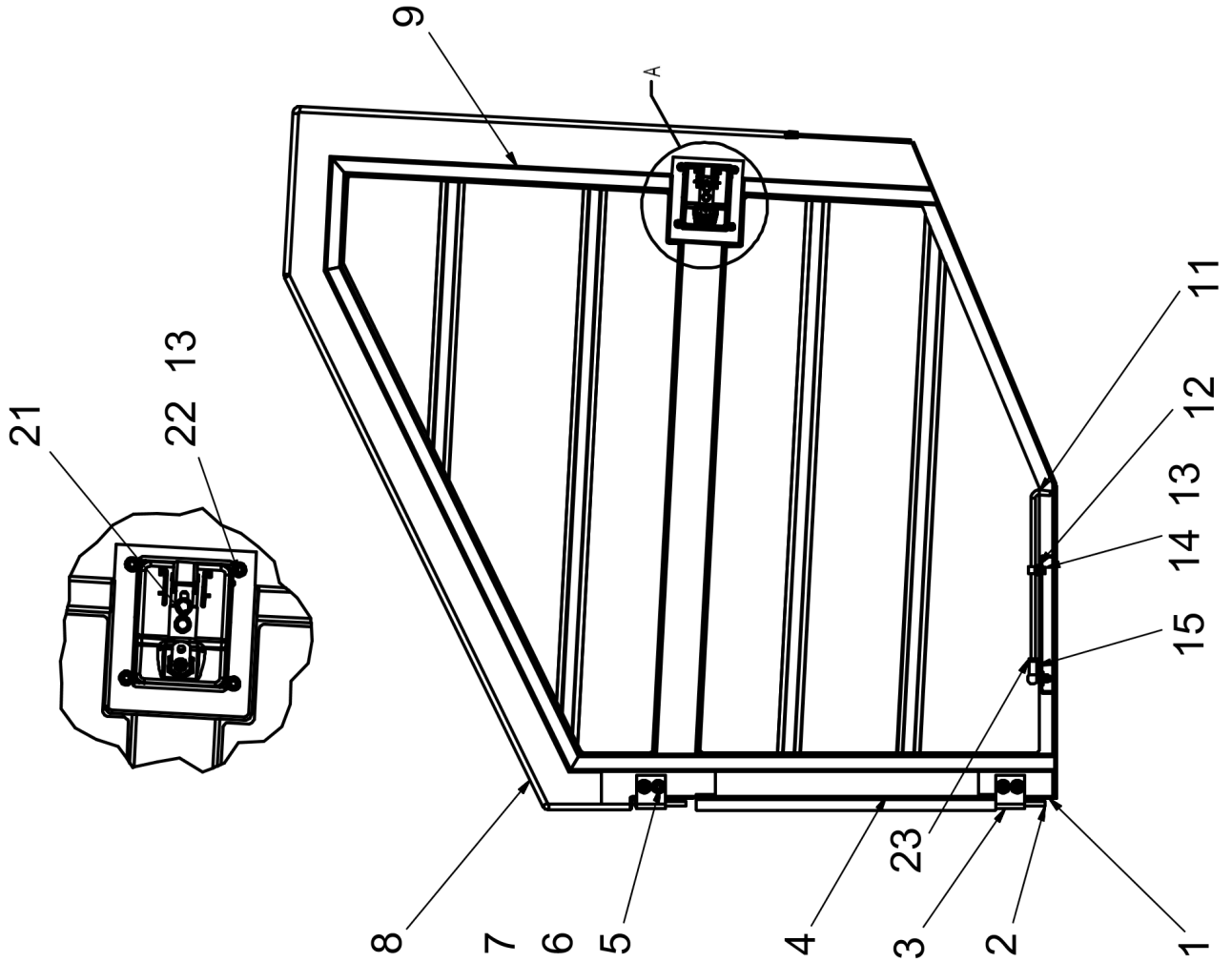
B | Use Item 4812204414 from SN:

C | Use Item 4812246986 from SN: 10002133T0C004413

D | Use Item 4812204420 from SN:

This page intentionally left blank

Cover assembly 4812246991 Right door assembly



Refer to Parts Online for the most up to date information. The printed information might be outdated.

Wed Oct 21 02:00:09 MDT 2015

Item	Part No.	Name	Qty	L	SN INFO
1	4812246942	Right door, weldment	1		
2	4812033152	Pin	2		
3	4812033146	Hinge	2		
4	4812246984	Insulation	1		
5	0226991529	Flat head screw	4		
6	0291118802	Hexagon nut	5		
7	D939505023	Washer	5		
8	D930235495	Profiled joint x m	2.38		
9	4812247023	Insulation 20mm	1		
11	4812041413	Support rod	1		
12	D953509710	Clip	1		
13	0301232100	Washer DIN125	5		
14	0147124403	Hex. head screw	1		
15	D934801313	Joint	1		
21	4812249467	Side door lock	1	A	
01	4812274575	Key	1		
21	4812204414	Side door lock	1	B	
01	4812313254	Key	1		
22	0291112854	Hexagon nut	4		
23	0261109160	Hexagon nut	1		

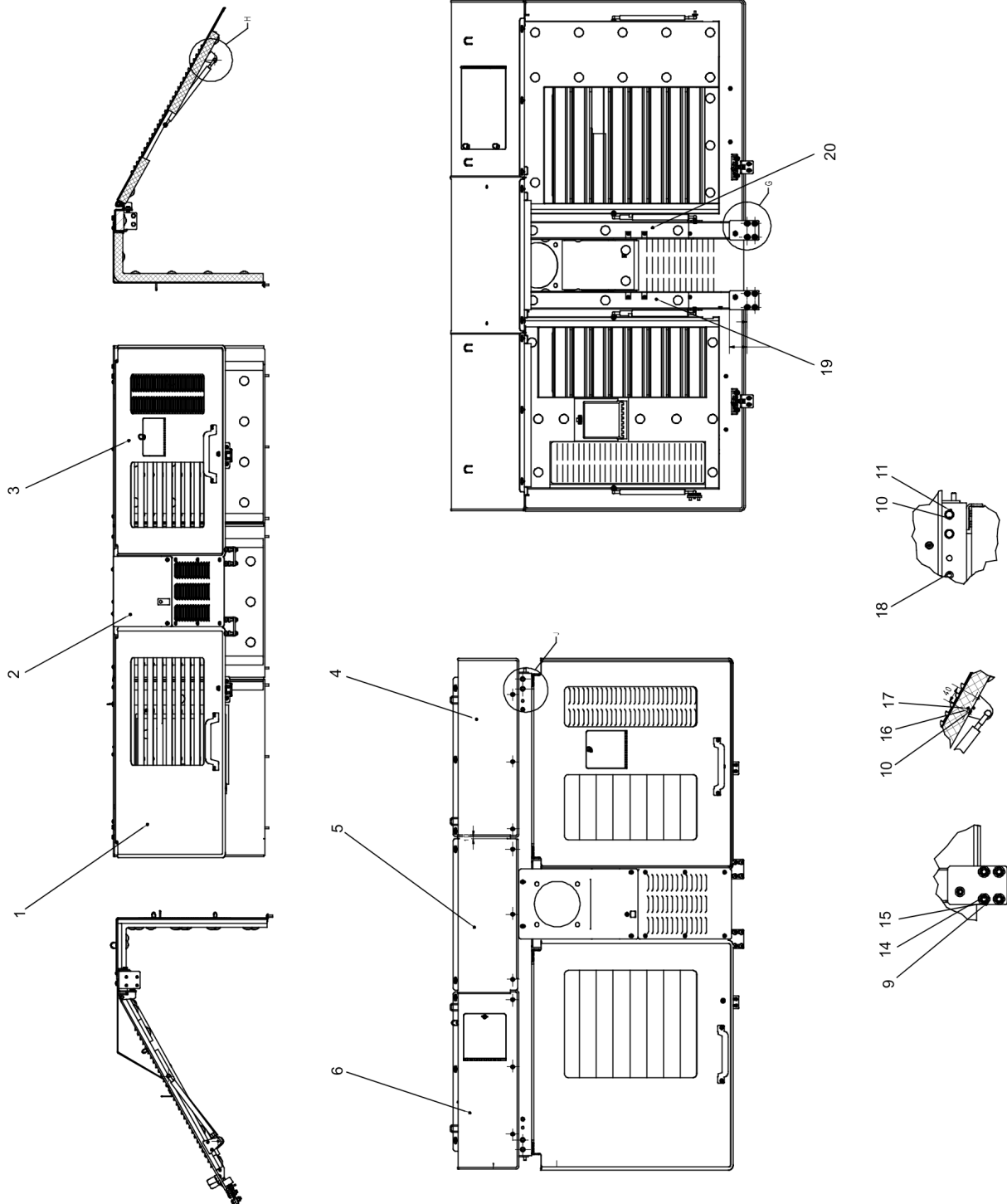
Comments for Page: 4812246991 Right door assembly

(L)OCAL REMARK

A | Use Item 4812249467 from SN: 10002133TFC005022

B | Use Item 4812204414 from SN:

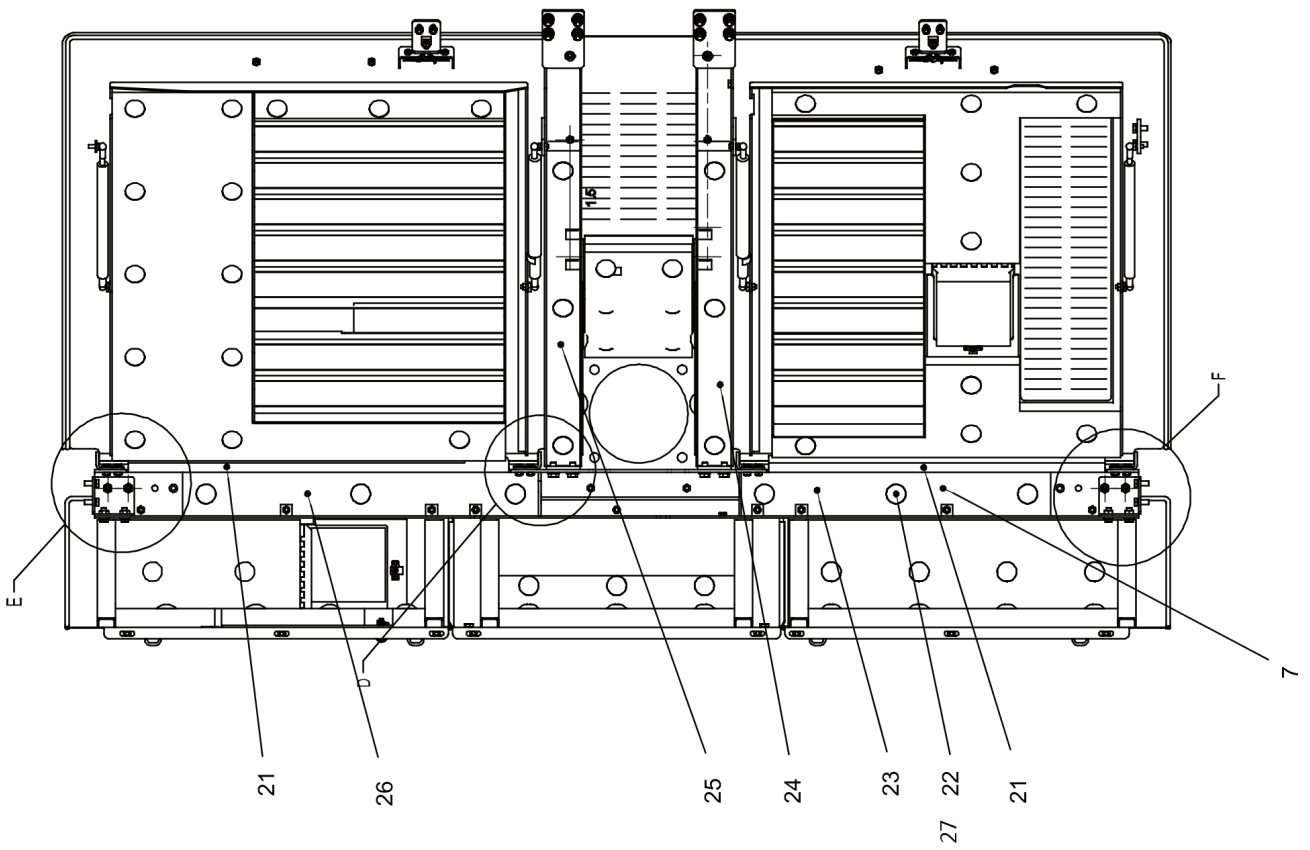
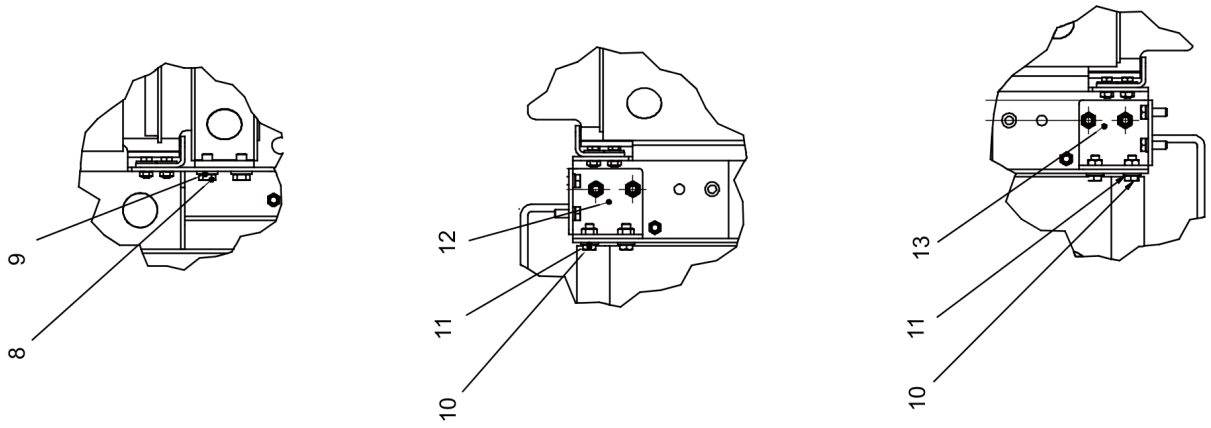
Engine cover Engine Cover



Refer to Parts Online for the most up to date information. The printed information might be outdated.

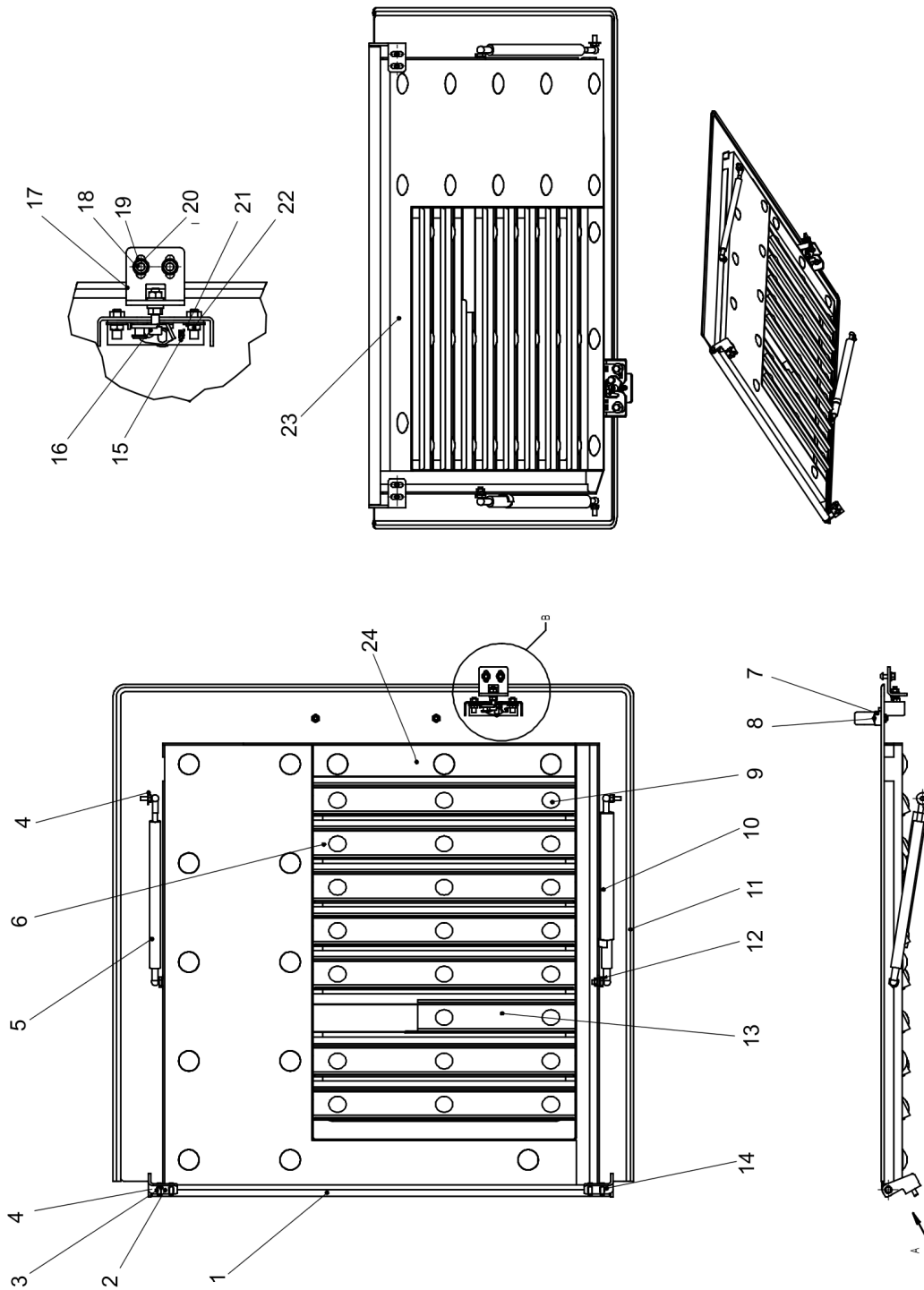
Wed Oct 21 02:00:10 MDT 2015

Item	Part No.	Name	Qty	L	SN INFO
1		Engine cover, right front	1		
2		Engine cover, middle front	1		
3		Engine cover, left front	1		
4		Engine cover, left rear	1		
5		Engine cover, middle rear	1		
6		Engine cover, right rear	1		
7	4812245244	Girder	1		
8	0147140003	Hex head screw M12 x 25	8		
9	D939776117	Flat washer	16		
10	0147136203	Hex head screw M10 x 25	18		
11	D939776115	Washer	8		
12	4812245299	Support, right	1		
13	4812245302	Support, left	1		
14	4812240859	Screw	8		
15	0266211200	Nut	8		
16	4812245313	Junction plate	1		
17	4749901807	Washer	10		
18	D977384156	Connection	2		
19	4812245291	Girder, left	1		
20	4812245253	Girder, right	1		
21	4700903953	Edge trim	1.45		
22	4812204081	Sound insulation clip	12		
23	4812248644	Insulation board	1		
24	4812248647	Insulation board	1		
25	4812248648	Insulation board	1		
26	4812248646	Insulation board	1		
27	0291118503	Hexagon nut	12		



This page intentionally left blank

Engine cover Engine cover right front

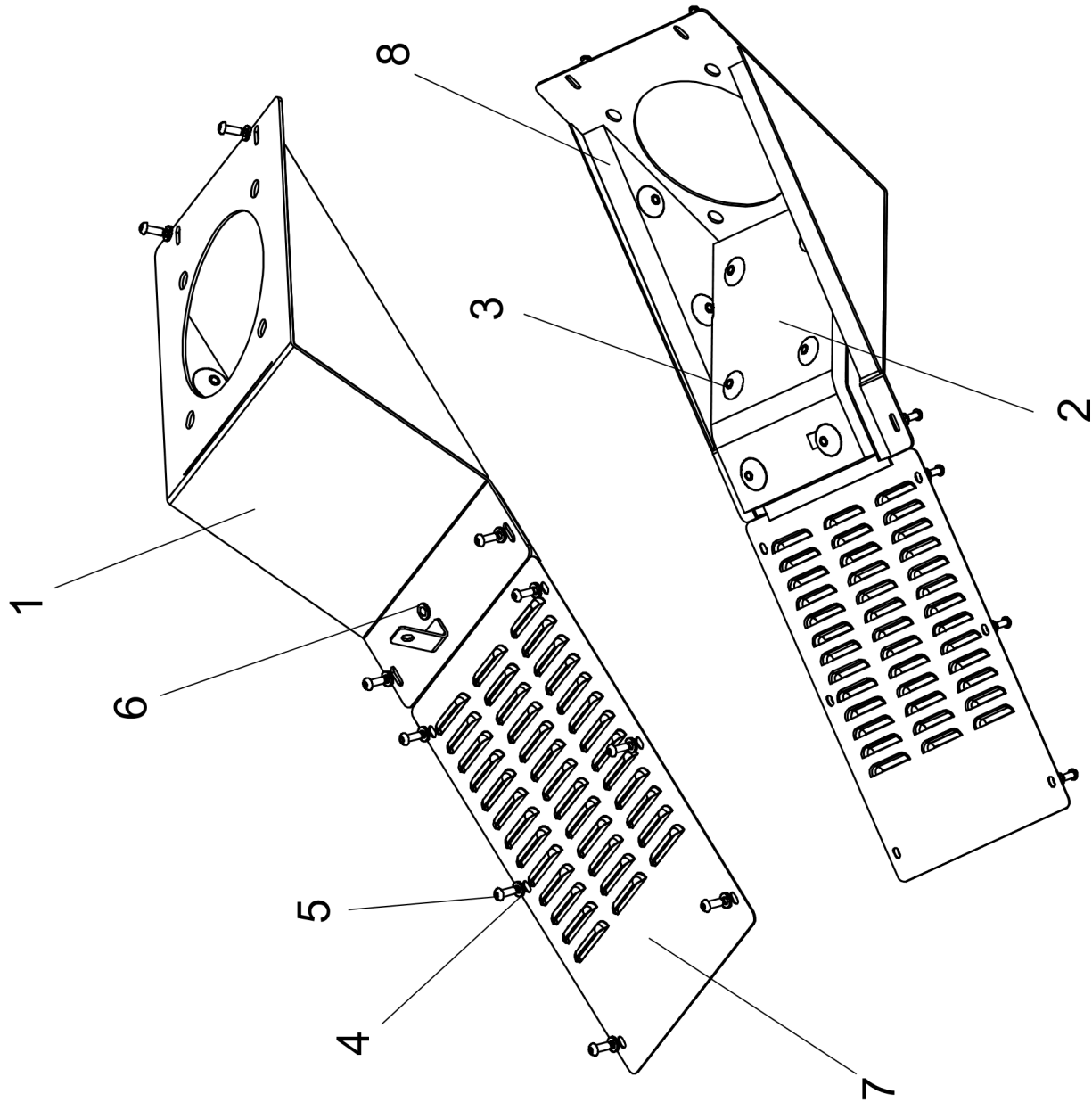


Refer to Parts Online for the most up to date information. The printed information might be outdated.

Wed Oct 21 02:00:11 MDT 2015

Item	Part No.	Name	Qty	L	SN INFO
1	4812245224	Cover, right front	1		
2	4812032250	Joint	1		
3	0147132303	Screw DIN933	4		
4	0300013040	Flat washer	5		
5	4812245385	Gas spring	1		
6	4812245389	FU foam	7		
7	4749302004	Handle	1		
8	0211132303	Hex sock screw	2		
9	4812204081	Sound insulation clip	37		
10	4812245384	Gas spring	1		
11	4812241041	Sealing strip x MM	303 3		
12	4749901806	Washer	3		
13	4812245387	FU foam	1		
14	4812032246	Joint	1		
15	4812032847	Lock	1		
16	0211132803	Hex sock screw	1		
17	4812034685	Retainer	1		
18	0266211000	Hexagon nut M8	4		
19	D939776113	Washer	4		
20	0215001072	Hexagon socket button head screw	2		
21	D939505023	Washer	2		
22	0147132203	Hex. head screw M8 x 16	2		
23	4812245391	FU foam	1		
24	4812248543	Insulation board	1		
25	0291118503	Hexagon nut	37		

Engine cover Engine cover, middle front

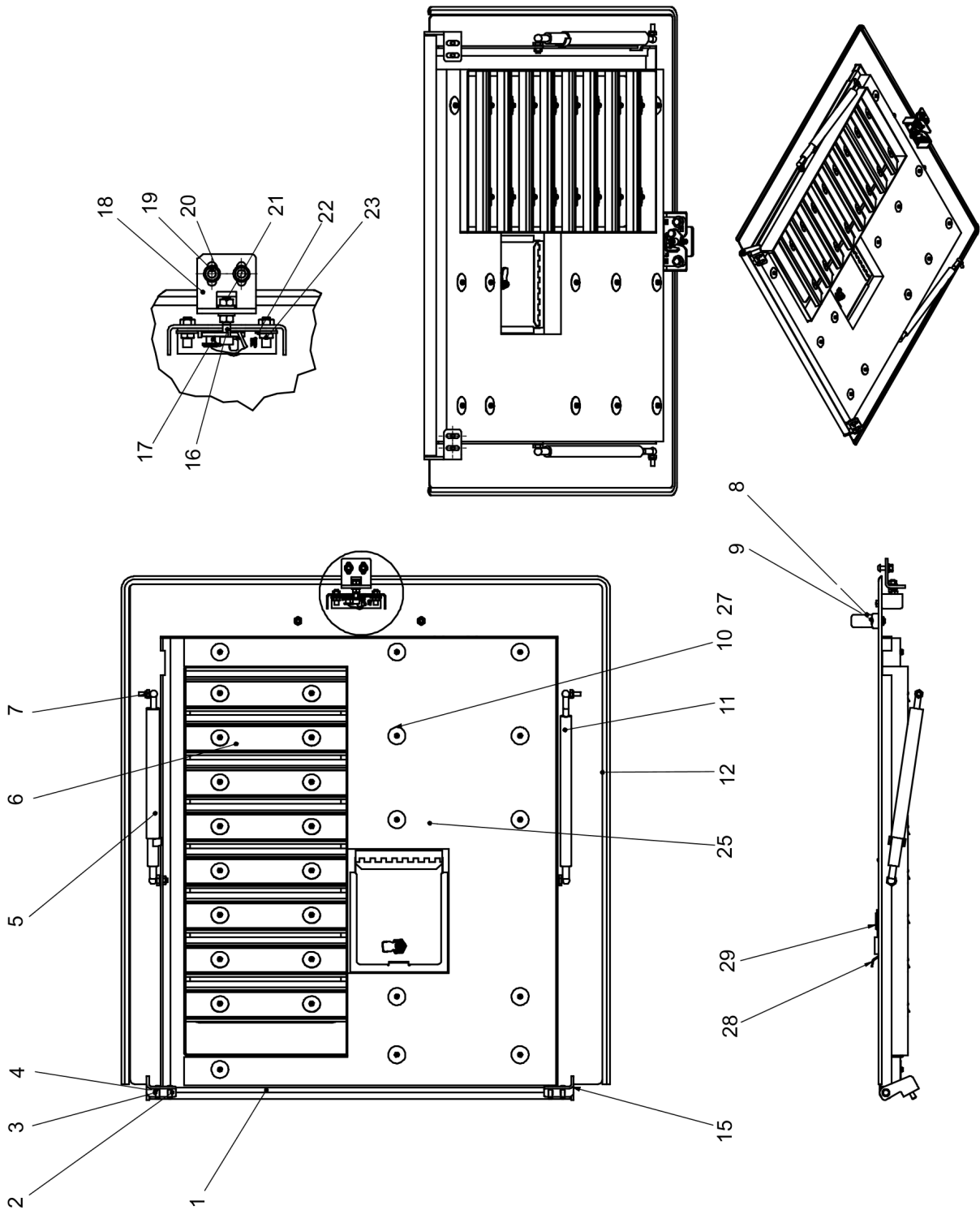


Refer to Parts Online for the most up to date information. The printed information might be outdated.

Wed Oct 21 02:00:12 MDT 2015

Item	Part No.	Name	Qty	L	SN INFO
1	4812245233	Engine cover, middle front	1		
2	4812245388	PU foam	1		
3	4812204081	Sound insulation clip	10		
4	D939776113	Washer	10		
5	0215001064	Hexagon socket button head screw	10		
6	D977384156	Connection	1		
7	4812248115	Cover	1		
8	4812248544	Insulation board	2		
9	0291118503	Hexagon nut	10		

Engine cover Engine cover, left front

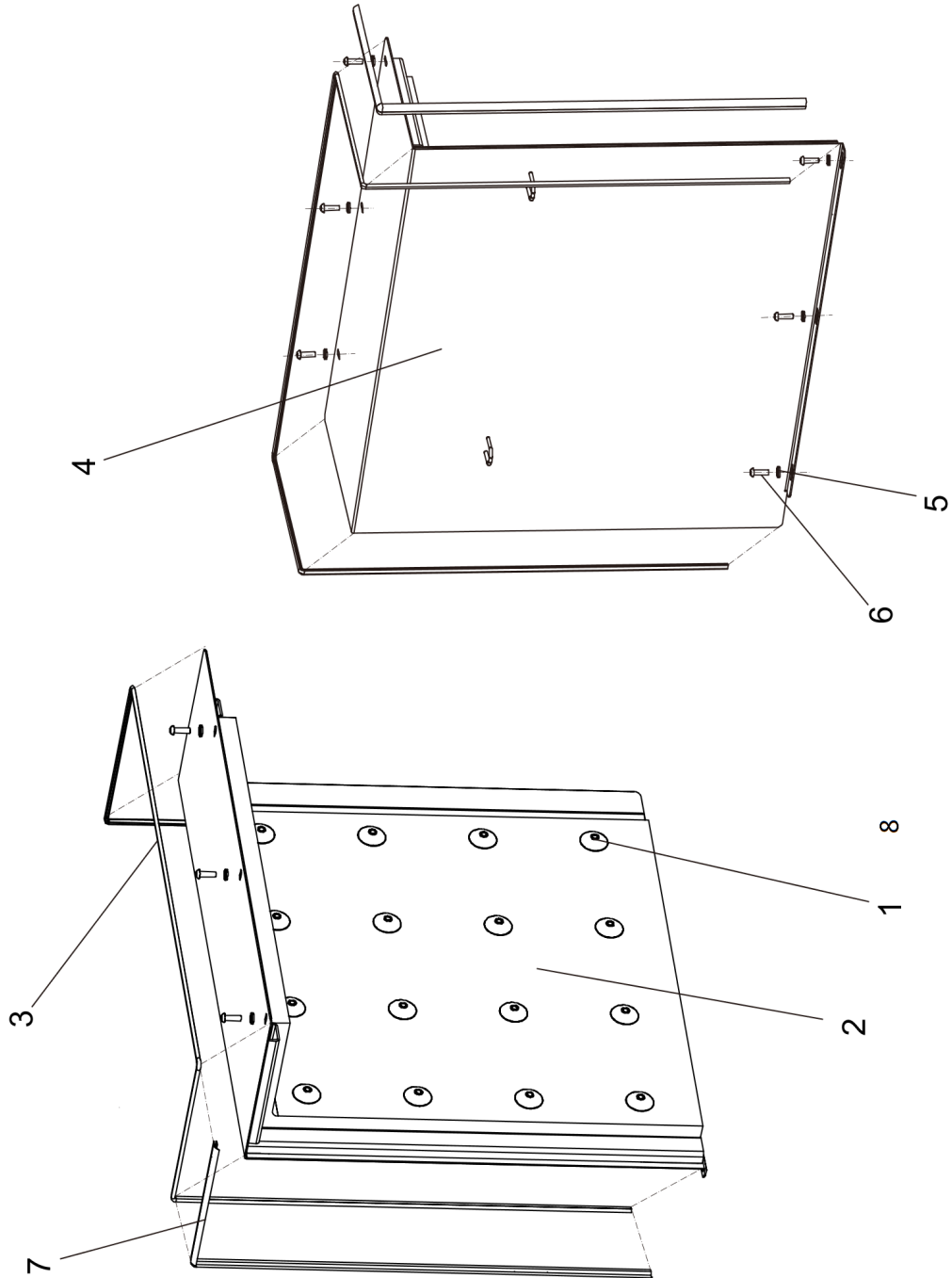


Refer to Parts Online for the most up to date information. The printed information might be outdated.

Wed Oct 21 02:00:12 MDT 2015

Item	Part No.	Name	Qty	L	SN INFO
1	4812245205	Cover, left front	1		
2	4812032250	Joint	1		
3	0147132303	Screw DIN933	4		
4	0300013040	Flat washer	4		
5	4812245384	Gas spring	1		
6	4812245387	FU foam	8		
7	4749901806	Washer	4		
8	4749302004	Handle	1		
9	0211132303	Hex sock screw	2		
10	4812204081	Sound insulation clip	28		
11	4812245385	Gas spring	1		
12	4812241041	Sealing strip x MM	344 0		
15	4812032246	Joint	1		
16	0211132803	Hex sock screw	1		
17	4812032847	Lock	1		
18	4812034685	Retainer	1		
19	0215001072	Hexagon socket button head screw	2		
20	D939776113	Washer	4		
21	0266211000	Hexagon nut M8	4		
22	D939505023	Washer	2		
23	0147132203	Hex. head screw M8 x 16	2		
25	4812248179	Insulation board	1		
27	0291118503	Hexagon nut	28		
28	4812204434	Handle	1		
29	4812204420	Lock	1		
01	4812313254	Key	1		
01	4812313254	Key	1		

Engine cover Engine cover, left rear

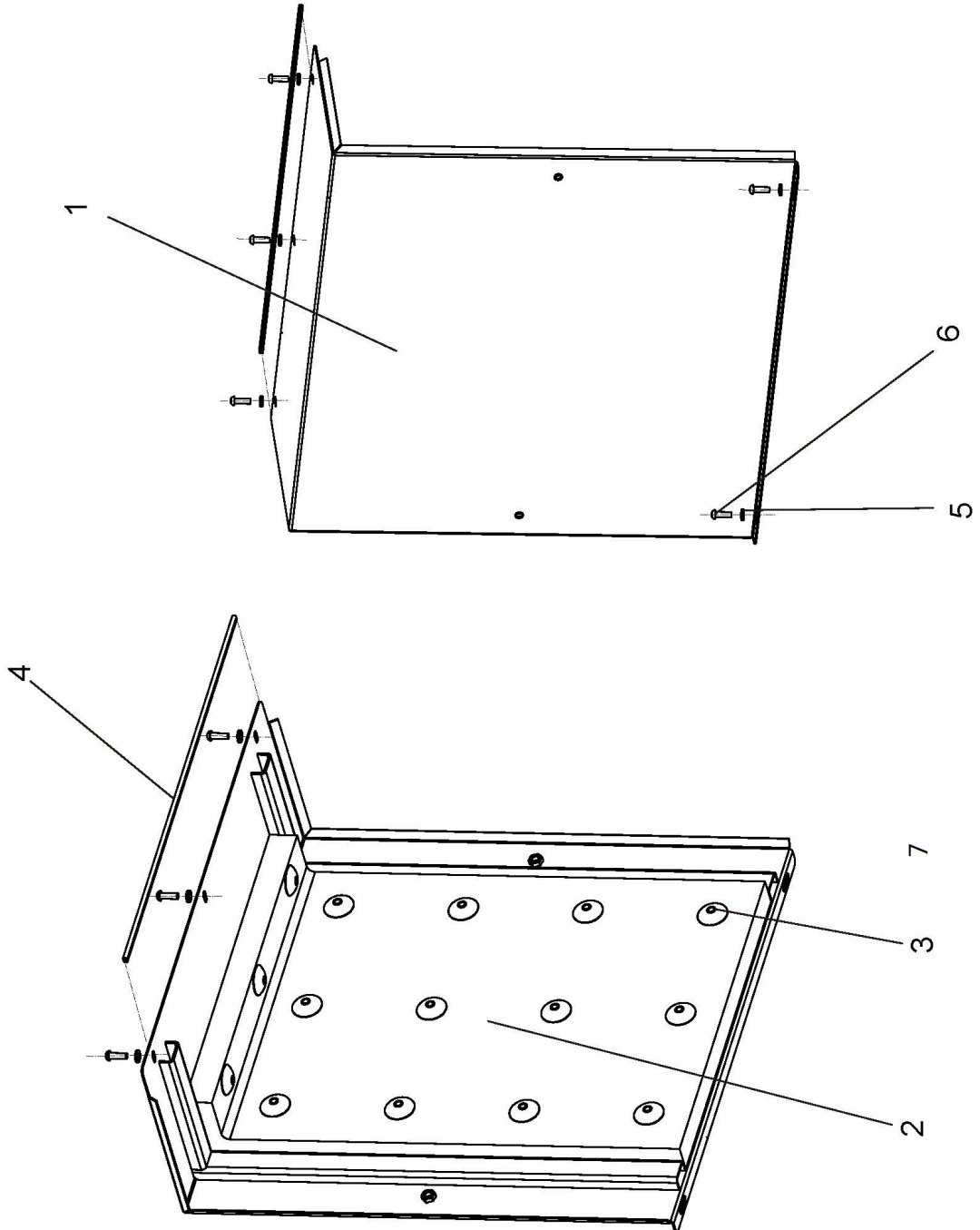


Refer to Parts Online for the most up to date information. The printed information might be outdated.

Wed Oct 21 02:00:13 MDT 2015

Item	Part No.	Name	Qty	L	SN INFO
1	4812204081	Sound insulation clip	20		
2	4812245392	PU foam	1		
3	4812245401	Sealing strip	179 2		
4	4812245094	Cover, left rear	1		
5	D939776113	Washer	6		
6	0215001072	Hexagon socket button head screw	6		
7	4812241041	Sealing strip x MM	940		
8	0291118503	Hexagon nut	20		

Engine cover Engine cover middle rear

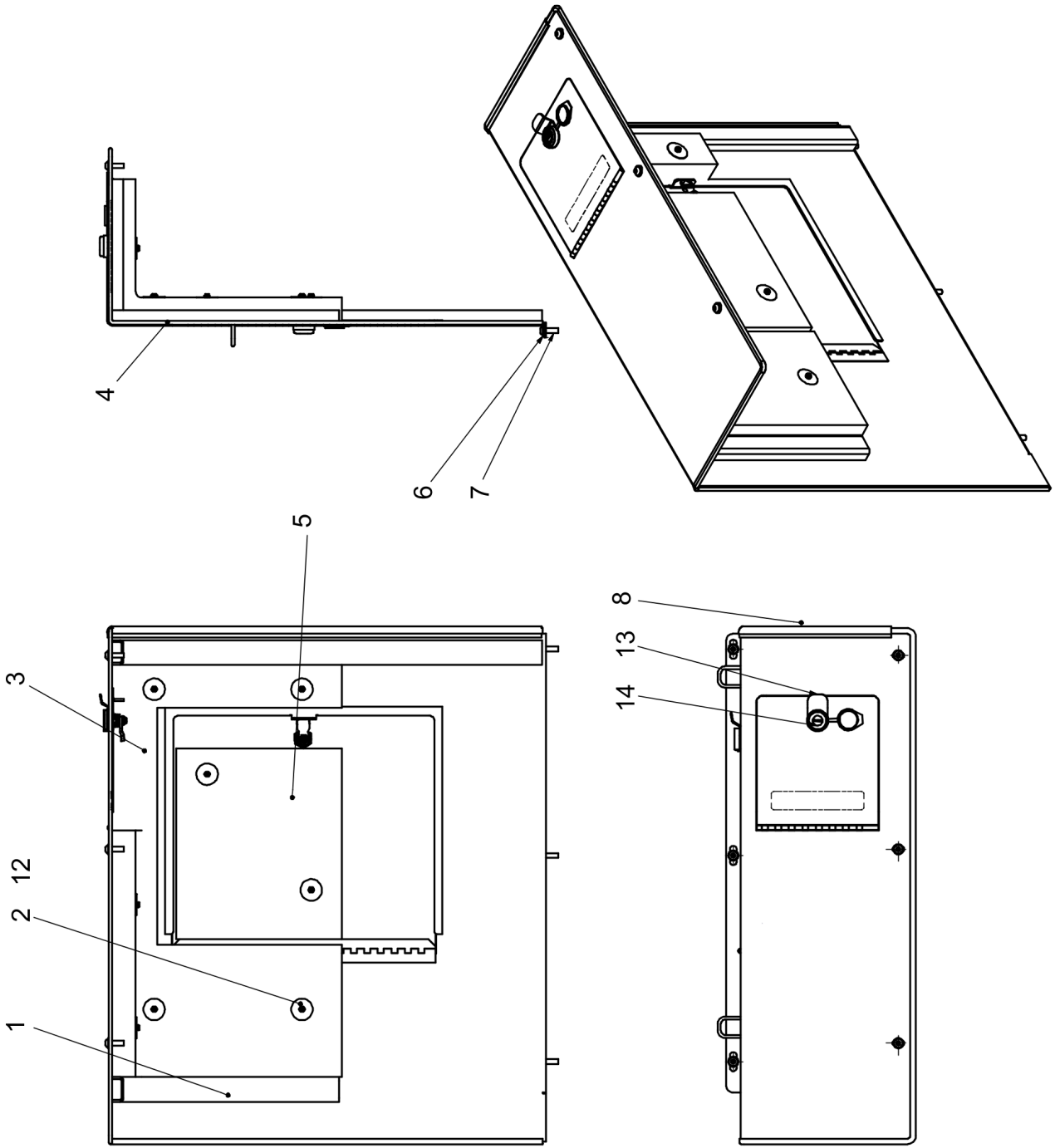


Refer to Parts Online for the most up to date information. The printed information might be outdated.

Wed Oct 21 02:00:14 MDT 2015

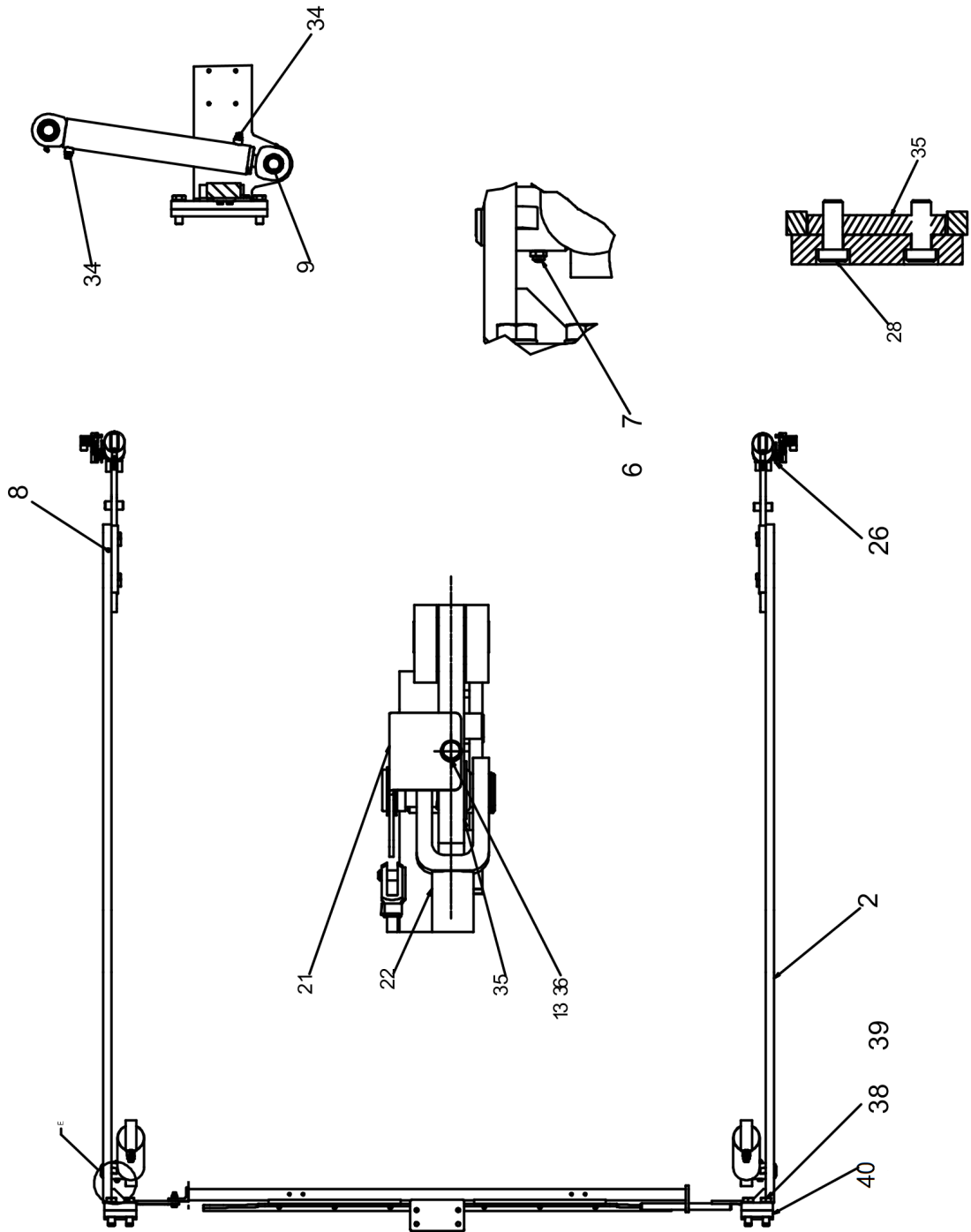
Item	Part No.	Name	Qty	L	SN INFO
1	4812245154	Cover, middle rear	1		
2	4812245393	PU foam	1		
3	4812204081	Sound insulation clip	15		
4	4812245401	Sealing strip	653		
5	D939776113	Washer	5		
6	0215001072	Hexagon socket button head screw	5		
7	0291118503	Hexagon nut	15		

Engine cover 4812245166 Engine cover right rear



Item	Part No.	Name	Qty	L	SN INFO
1	4812245167	Cover, right rear	1		
2	4812204081	Sound insulation clip	8		
3	4812245394	PU foam	1		
4	4812245401	Sealing strip	179 2		
5	4812246863	PU foam	1		
6	D939776113	Washer	6		
7	0215001072	Hexagon socket button head screw	6		
8	4812241041	Sealing strip x MM	940		
12	0291118503	Hexagon nut	8		
13	4812204434	Handle	2		
14	4812204420	Lock	2		
01	4812313254	Key	1		

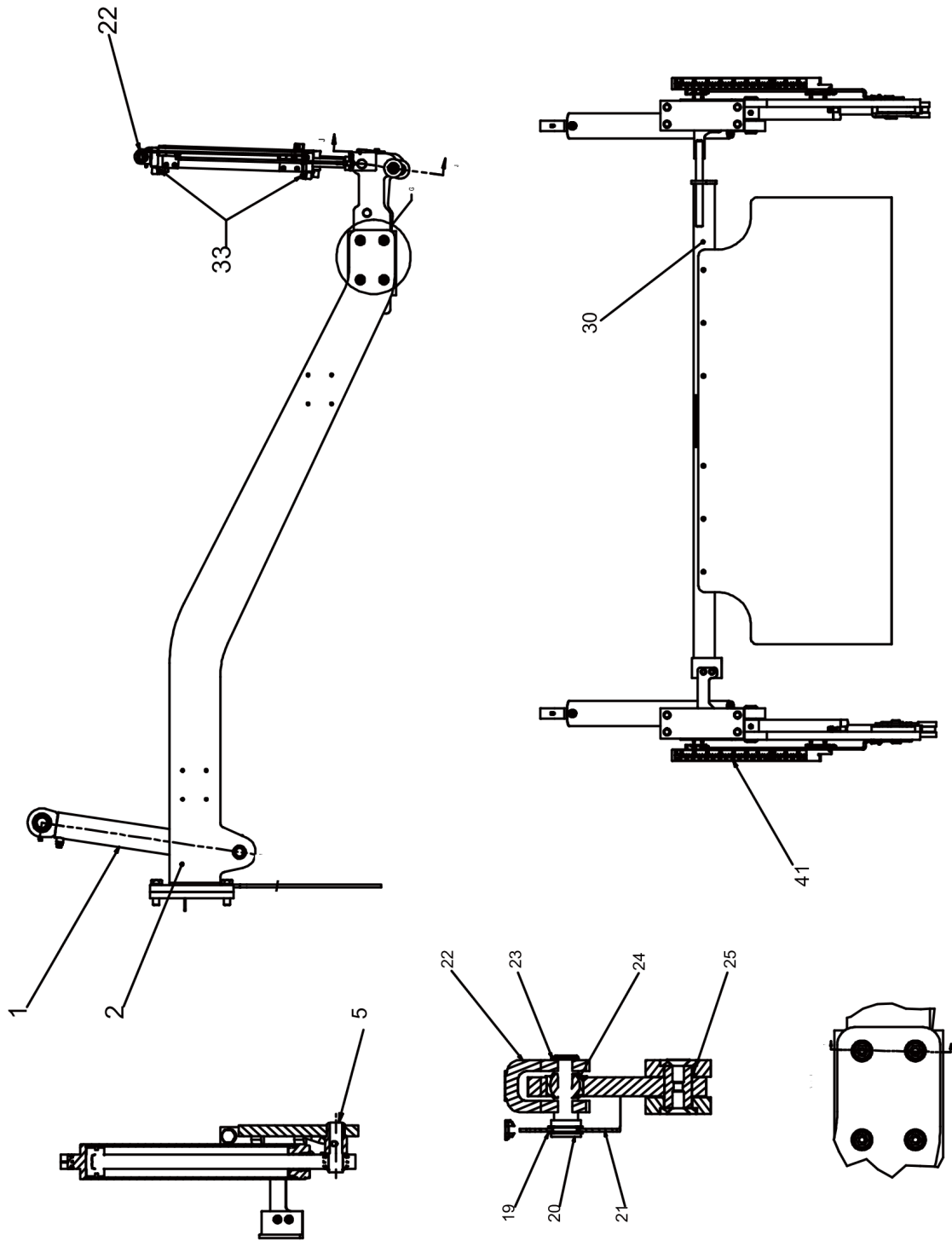
Screed arm assembly Screed arm assembly



Refer to Parts Online for the most up to date information. The printed information might be outdated.

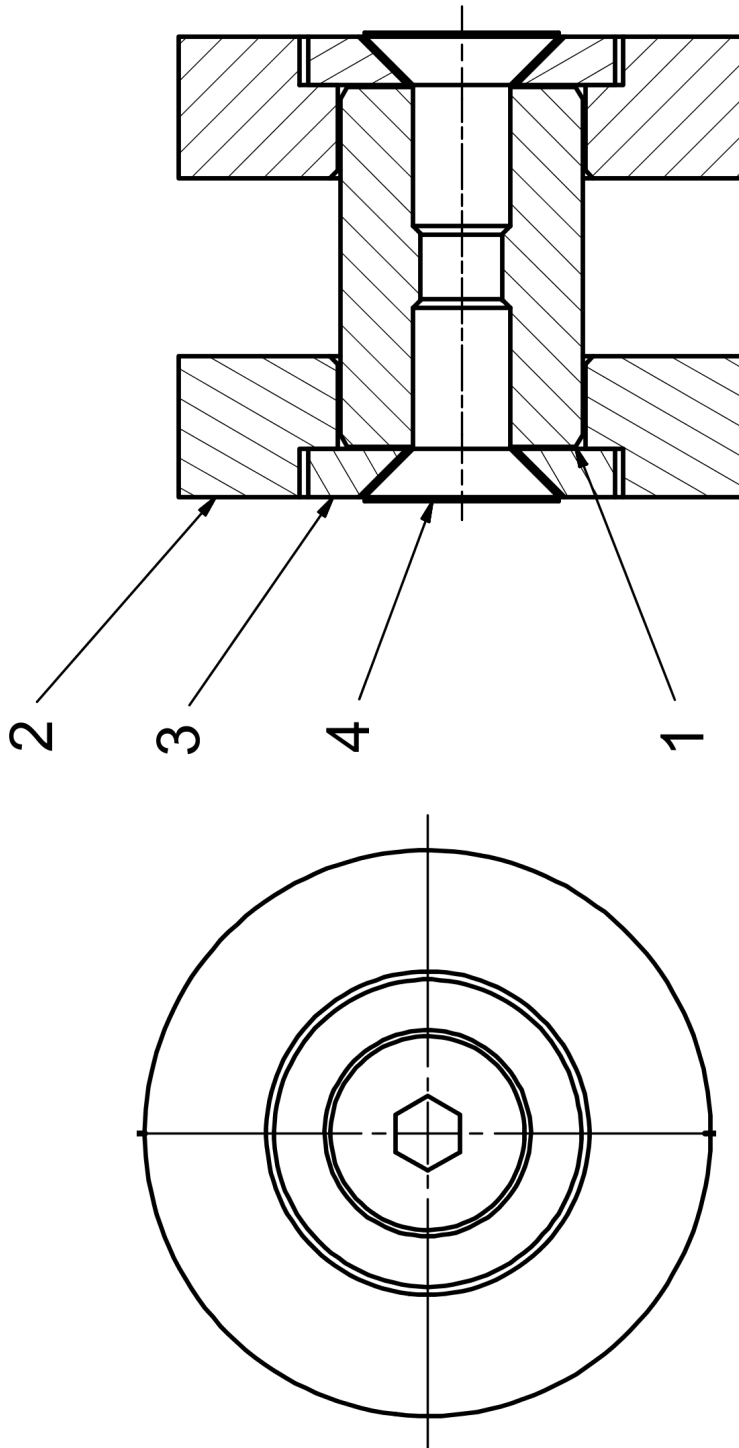
Wed Oct 21 02:00:15 MDT 2015

Item	Part No.	Name	Qty	L	SN INFO
1	4812248998	Cylinder, screed lift, rear	2		
01	4812313219	Cylinder seal kit	1		
2	4812246275	Screed arm, right side	1		
5	4812248197	Pin screed cylinder pivot	2		
6	291111000	Ocknut	2		
7	147133403	Screw	2		
8	4812246274	Screed arm, left side	1		
9	4749900349	Circlip	2		
13	301233500	Plain washer	2		
19	4812001406	Circlip	4		
20	4812243445	Arm pin	2		
21	4812244493	Plate	1		
22	4812248999	Cylinder, screed level, front	2		
01	4812313218	Cylinder seal kit	1		
23	4812223436	Ring, external retaining	2		
24	D717040509	Ball bearing	2		
25	4812246939	Front guide wheel	2		
26	4812245017	Plate	1		
28	215001063	Hexagon socket head cap screw	8		
30	4812245559	Slope arm, assembly	1		
33	4700791744	Adapter	4		
34	4700791828	Adapter	4		
35	4812246282	End, arm front weldment	2		
36	147132203	Support	2		
38	147163603	Hexagon head screw	8		
39	D939776134	Washer	8		
40	4812247546	Plate	2		
41	4812248631	F800 scaleplate assembly	1		



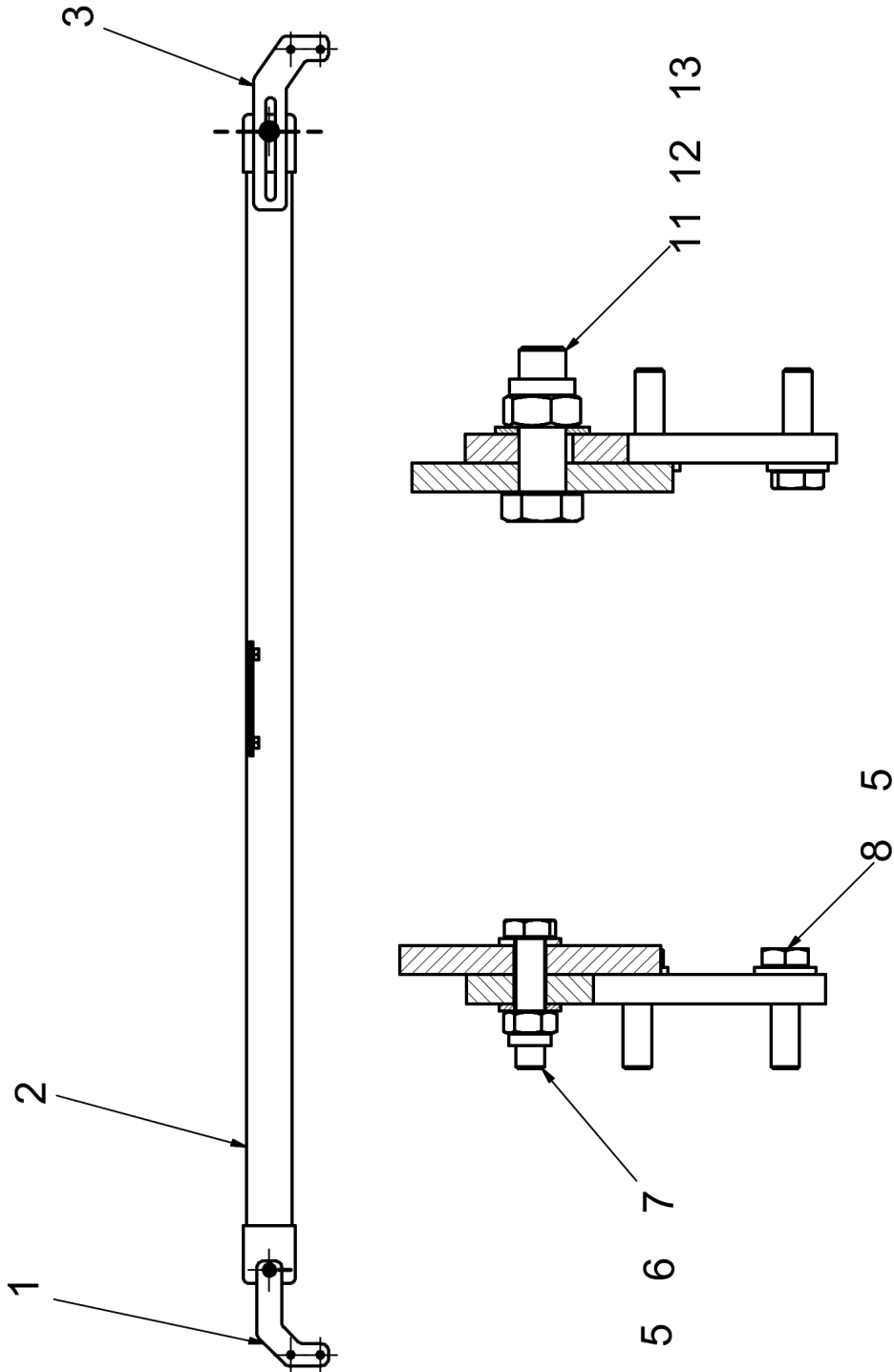
This page intentionally left blank

Screed arm assembly Front guide wheel



Item	Part No.	Name	Qty	L	SN INFO
1	4812224147	Spacer, roller	1		
2	4812224146	Roller, screed arm	2		
3	4812223120	Washer	2		
4	0216110059	Countersunk screw	2		

Screed arm assembly 4812245559 Assembly, slope arm

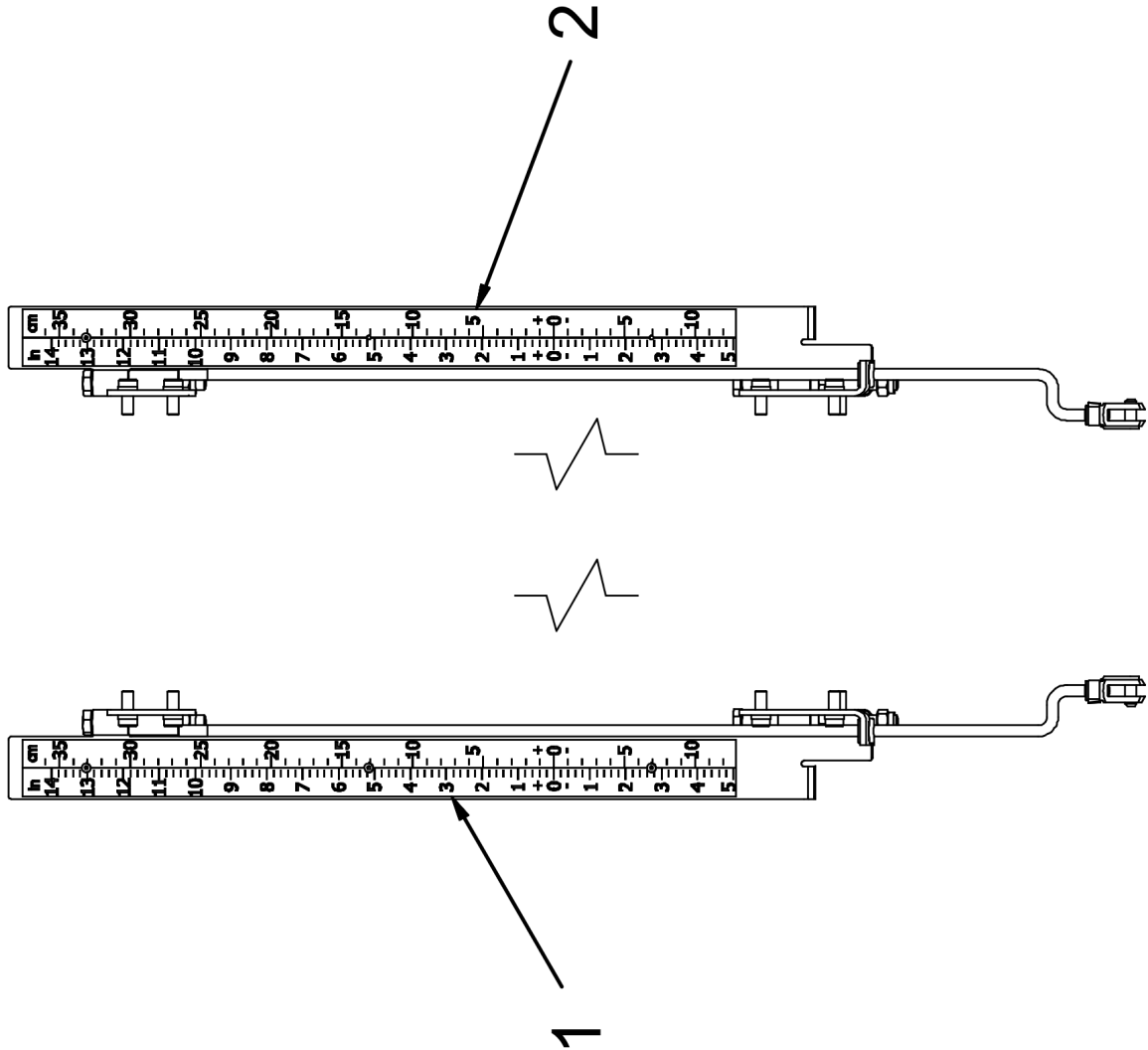


Refer to Parts Online for the most up to date information. The printed information might be outdated.

Wed Oct 21 02:00:16 MDT 2015

Item	Part No.	Name	Qty	L	SN INFO
1	4812249993	Left mount plate	1		
2	4812249997	Slope beam weldment	1		
3	4812249994	Right mount plate	1		
5	D939776115	Washer	6		
6	0291118549	Hexagon nut	1		
7	0147196394	Hexagon head screw	1		
8	0147136403	Hex. head screw	4		
11	0147147903	Hex head screw	1		
12	5730007656	Hexagon nut	1		
13	D939505037	Washer	1		

Screed arm assembly 4812248631 F800 scaleplate assembly

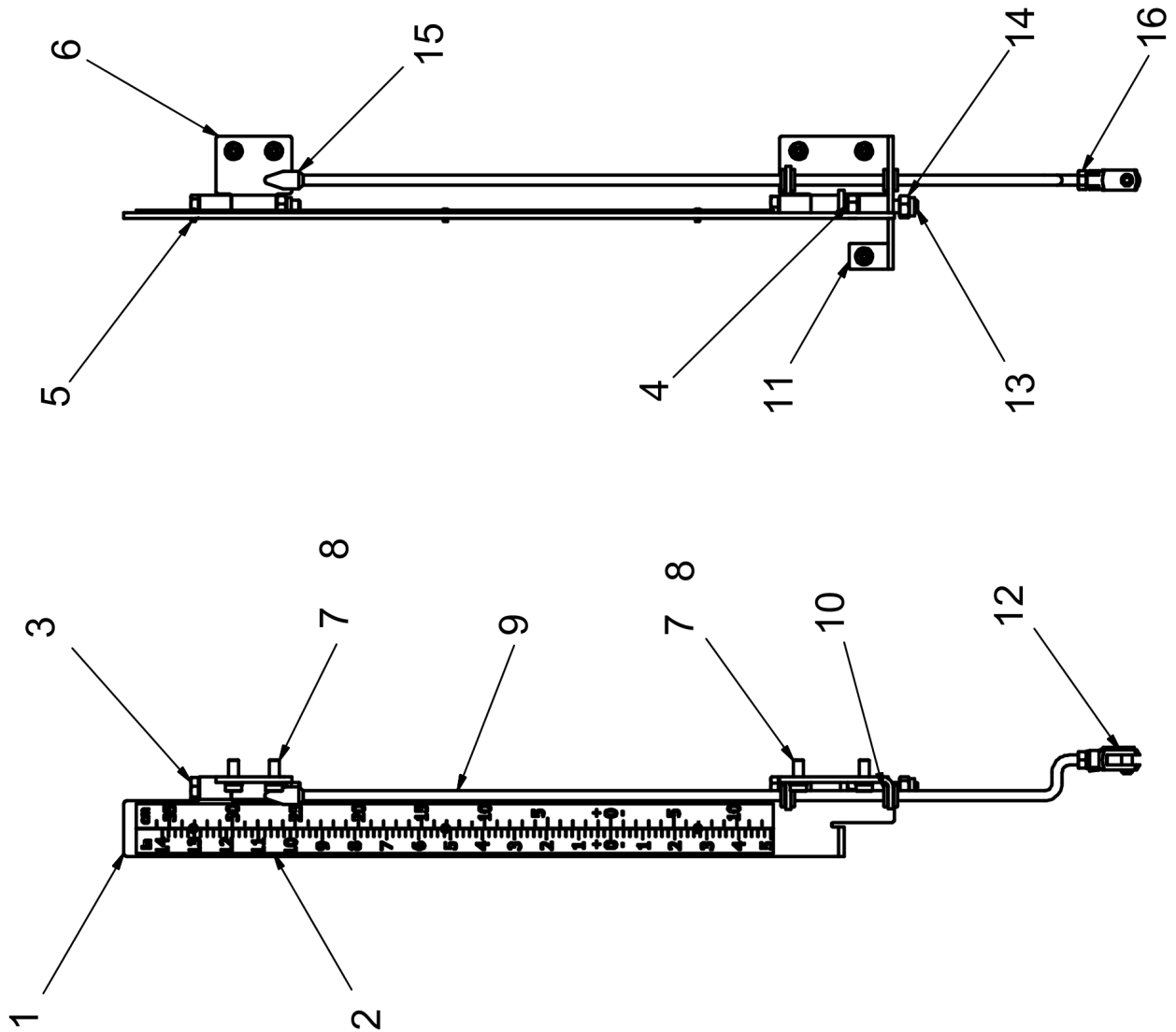


Refer to Parts Online for the most up to date information. The printed information might be outdated.

Wed Oct 21 02:00:17 MDT 2015

Item	Part No.	Name	Qty	L	SN INFO
1		Left indicator scale assembly	1		
2		Right indicator scale assembly	1		

Screed arm assembly Left indicator scale assembly

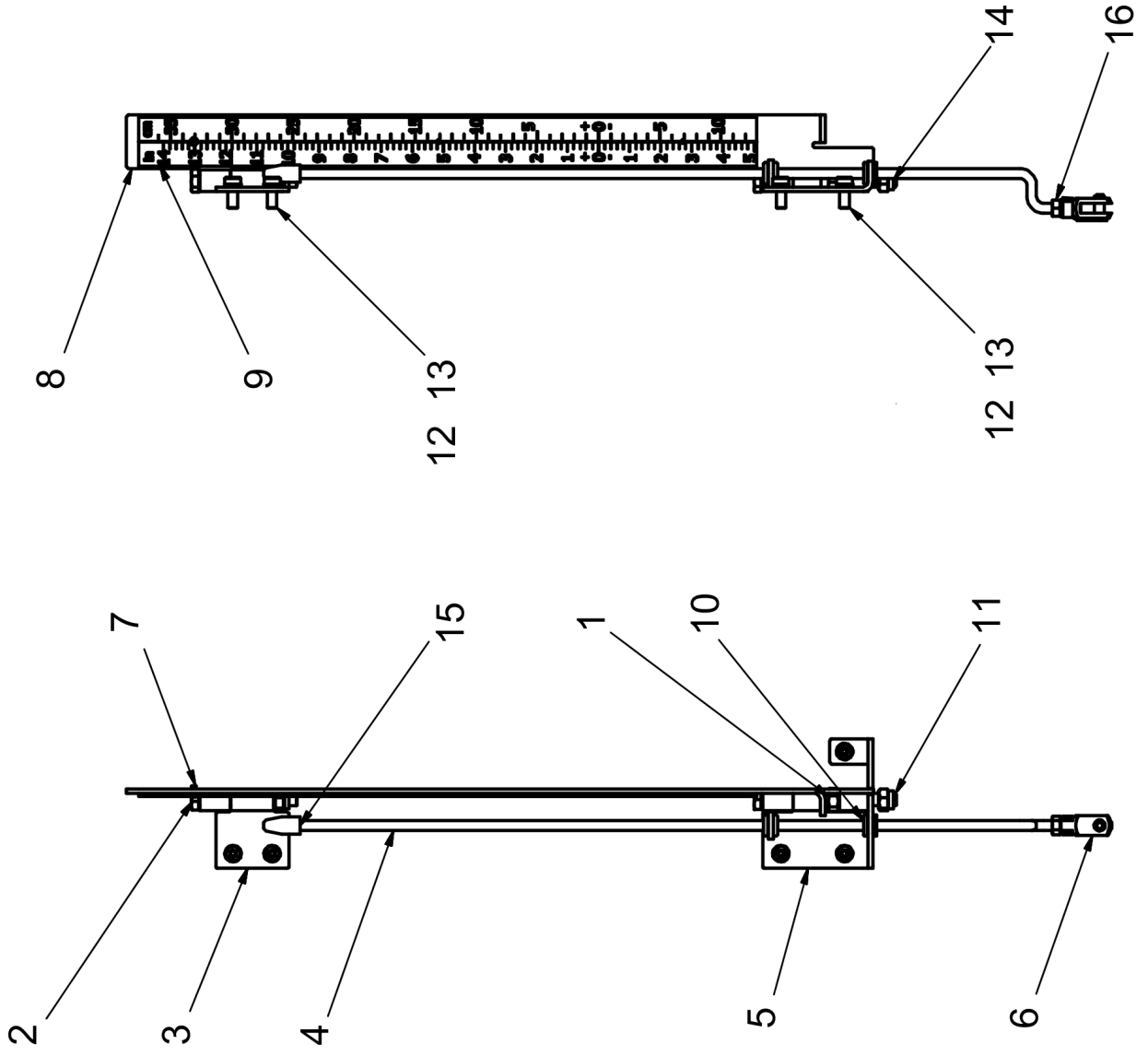


Refer to Parts Online for the most up to date information. The printed information might be outdated.

Wed Oct 21 02:00:17 MDT 2015

Item	Part No.	Name	Qty	L	SN INFO
1	4812248628	Left scaleplate install plate weldment	1		
2	4812246638	Scaleplate	1		
3	0147137303	Hexagon bolt	1		
4	0266113801	Hexagon nut	1		
5	4812026010	Blind rivet	3		
6	4812248630	Up junction plate weldment	1		
7	0215001059	Hexagon socket head cap screw	5		
8	4749901806	Washer	5		
9	4812248485	Bracket	1		
10	4812031296	Cable bushing	2		
11	4812248626	Left junction plate weldment	1		
12	D934803416	Fork end	1		
13	0147137912	Screw	1		
14	0291118549	Hexagon nut	2		
15	4812204515	Indicator	1		
16	5530774600	Hexagon nut	1		

Screed arm assembly Right indicator scale assembly

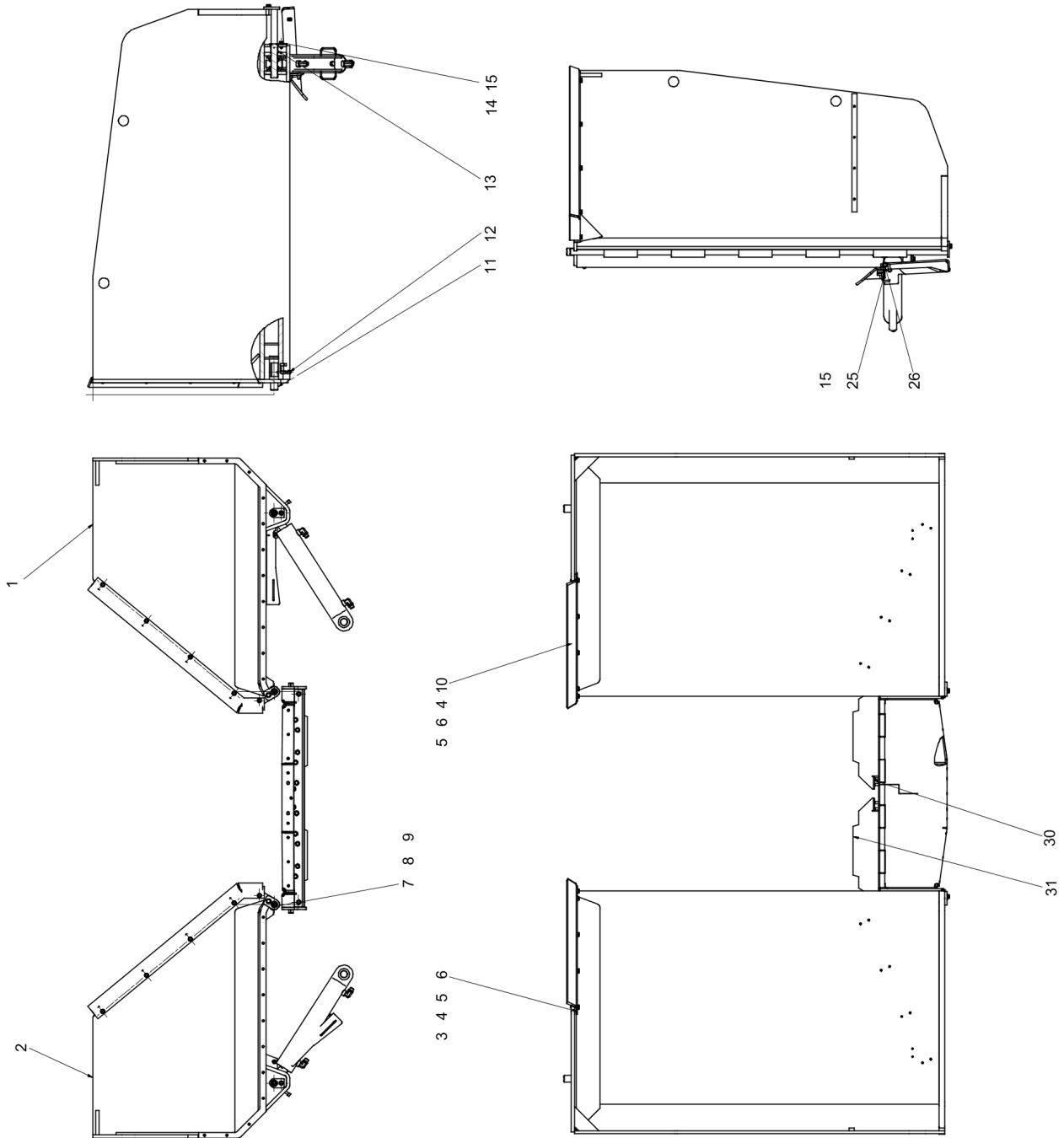


Refer to Parts Online for the most up to date information. The printed information might be outdated.

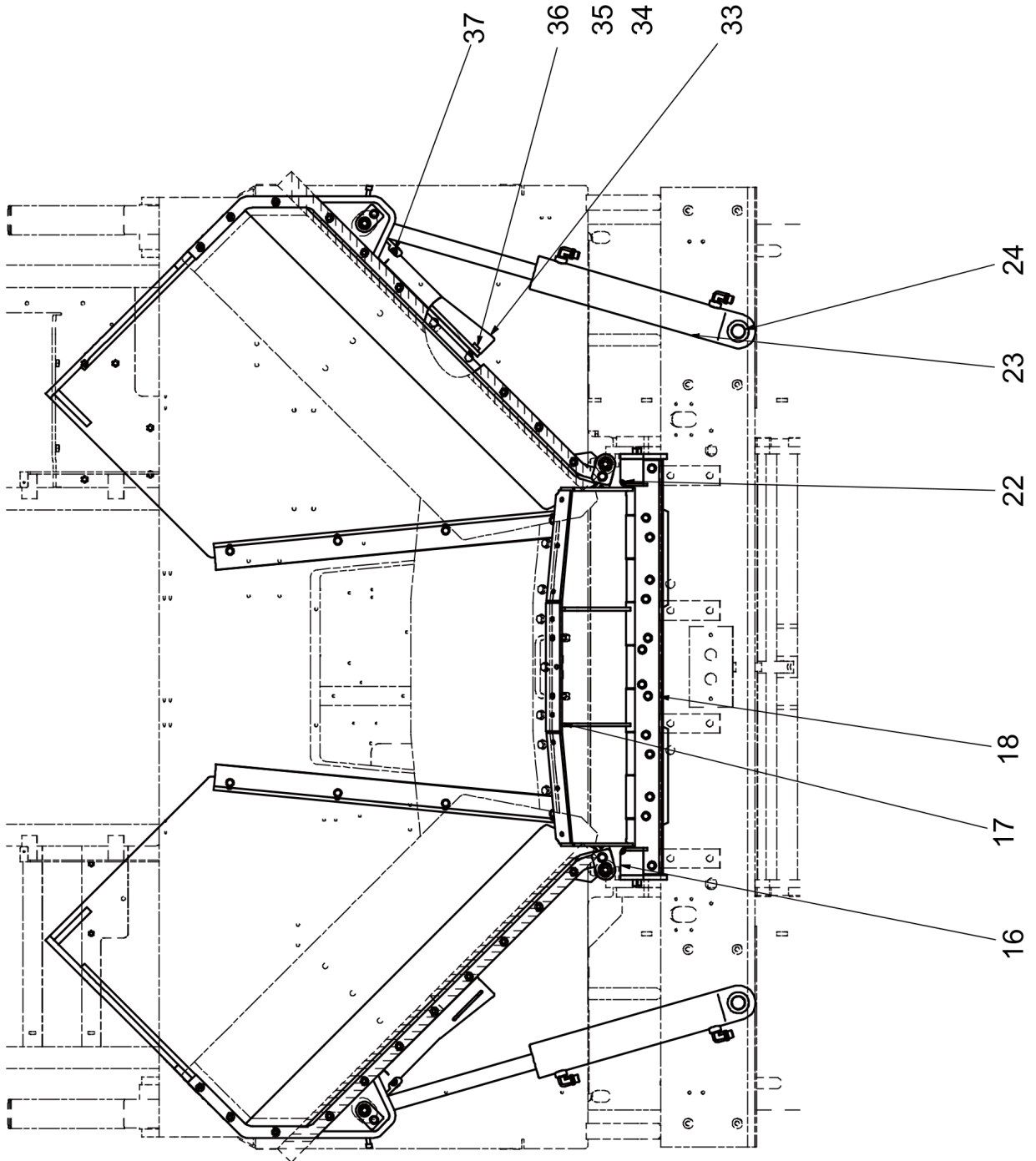
Wed Oct 21 02:00:18 MDT 2015

Item	Part No.	Name	Qty	L	SN INFO
1	0266113801	Hexagon nut	1		
2	0147137303	Hexagon bolt	1		
3	4812248630	Up junction plate weldment	1		
4	4812248485	Bracket	1		
5	4812248622	Right junction plate weldment	1		
6	D934803416	Fork end	1		
7	4812026010	Blind rivet	1		
8	4812248627	Right scaleplate install plate	1		
9	4812246638	Scaleplate	1		
10	4812031296	Cable bushing	2		
11	0147137912	Screw	1		
12	4749901806	Washer	5		
13	0215001059	Hexagon socket head cap screw	5		
14	0291118549	Hexagon nut	2		
15	4812204515	Indicator	1		
16	5530774600	Hexagon nut	1		

Hopper assembly Hopper Assembly



Item	Part No.	Name	Qty	L	SN INFO
1	4812245134	Left hopper frame	1		
2	4812245135	Right hopper frame	1		
3	4812245138	Right bend plate	1		
4	4812245136	Rubber plate	2		
5	0301234400	Plain washer M10.5/22	14		
6	0147136403	Hex. head screw	10		
7	4812245140	Long pin	2		
8	5530810000	Hexagon head screw	2		
9	0301235800	Plain washer 13 x 24 x 2.5	2		
10	4812245137	Left bend plate	1		
11	4812245141	Pin	2		
12	0211137503	Hexagon socket head cap screw	2		
13	4812245142	Pin	2		
14	0147136203	Hex head screw M10 x 25	2		
15	D939776115	Washer	16		
16	4812245149	Right support	1		
17	4812245157	Front flip plate	1		
18	4812245158	Fixed plate	1		
22	4812245156	Left support	1		
23	4812246010	Hopper hydraulic cylinder assembly	2		
24	0335113600	Snap ring	2		
25	0147136303	Hex. head screw	18		
26	4812245170	Pin	1		
30	4812247872	Stock stop LH	1		
31	4812247918	Stock stop RH	1		
33	4812203839	Support	2		
34	0333310045	Schnorr-lock washer	2		
35	0147124403	Hex. head screw	2		
36	4812029437	Rubber buffer	2		
37	4812042807	Stop bolt (screwed)	2		

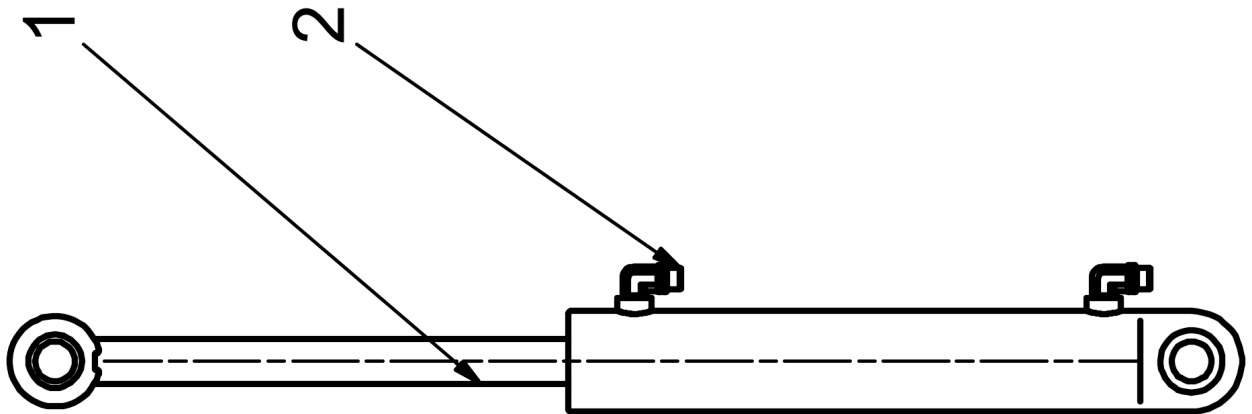


Refer to Parts Online for the most up to date information. The printed information might be outdated.

Wed Oct 21 02:00:19 MDT 2015

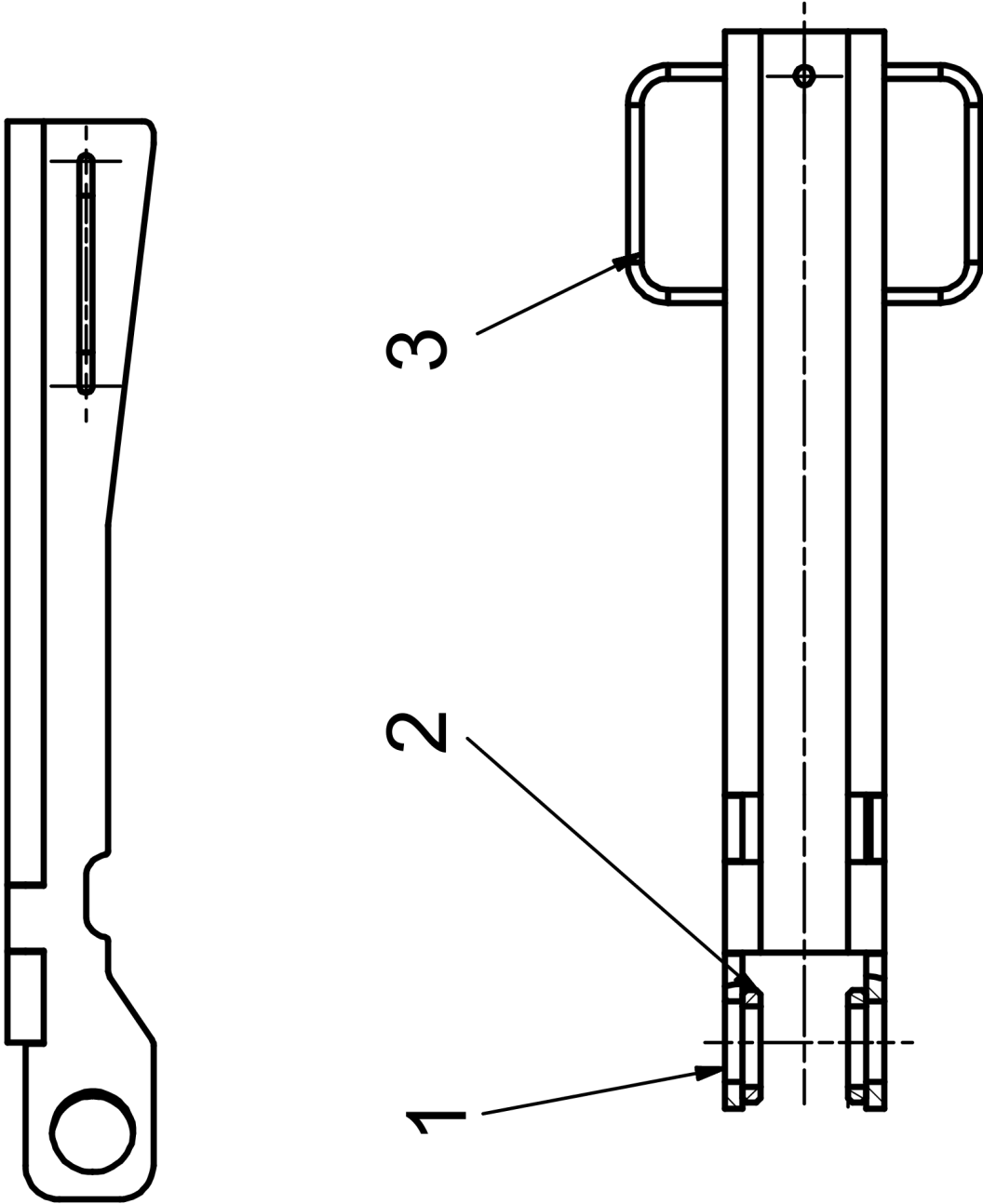
This page intentionally left blank

Hopper assembly Hopper hydraulic cylinder assembly



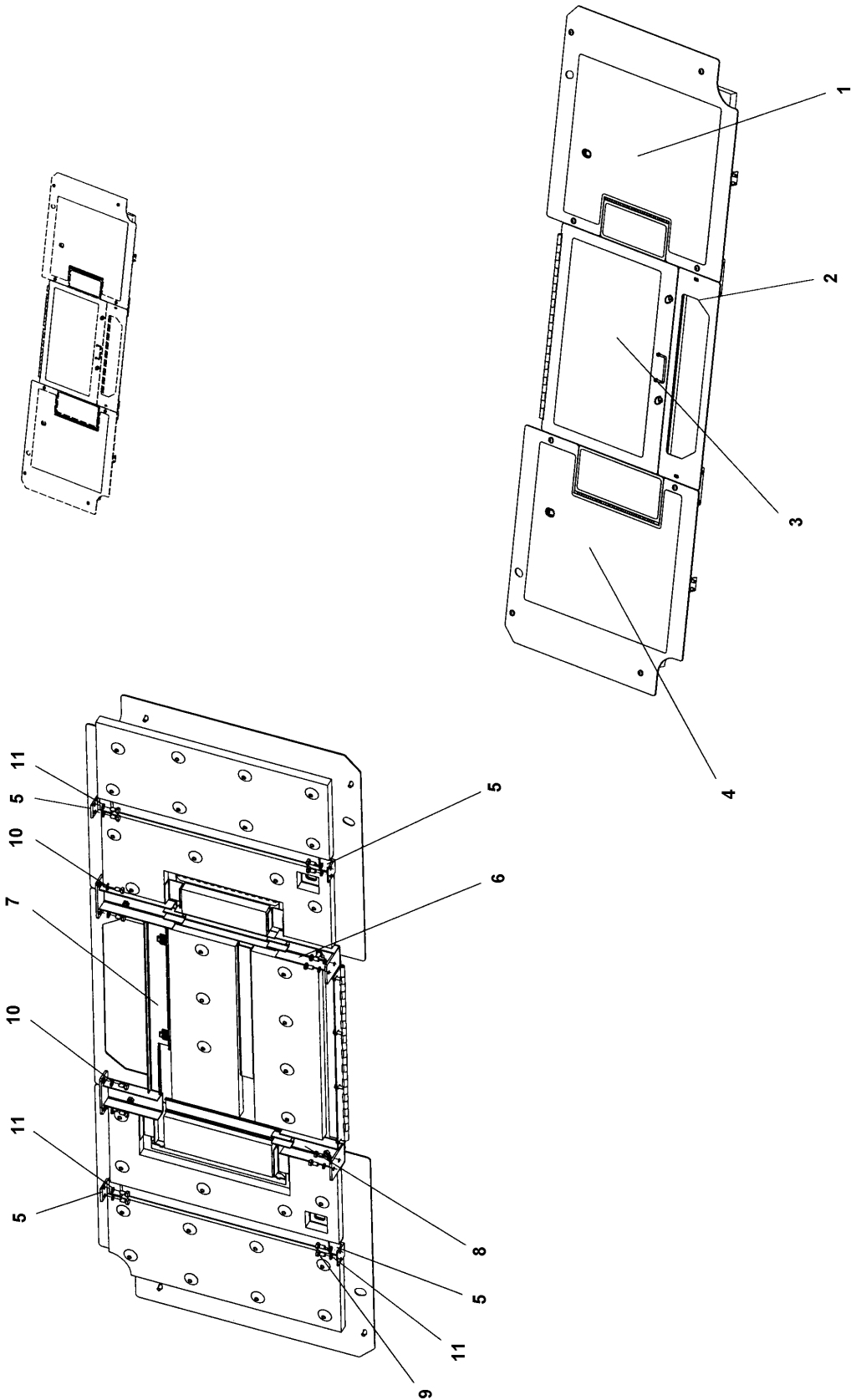
Item	Part No.	Name	Qty	L	SN INFO
1	4812249599	Hopper hydraulic cylinder	1		
01	4812313216	4812249599 seal kit	1		
2	4700791840	Adapter	2		

Hopper assembly 4812203839 Support



Item	Part No.	Name	Qty	L	SN INFO
1	4812203836	Support	1		
2	4812203838	Ring	2		
3	4812203840	Bend bar	2		

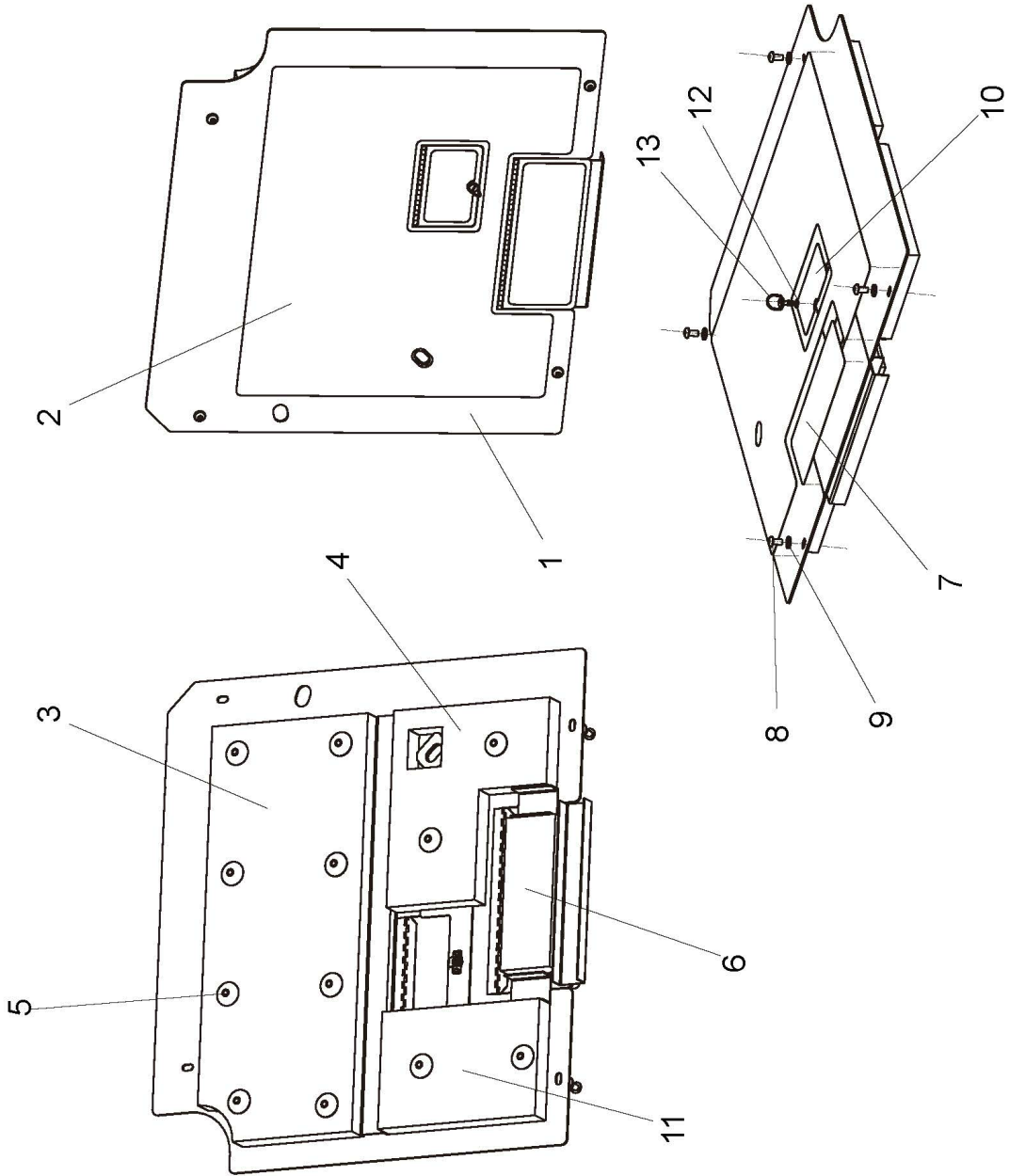
Footwell Footwell



Refer to Parts Online for the most up to date information. The printed information might be outdated.
Wed Oct 21 02:00:21 MDT 2015

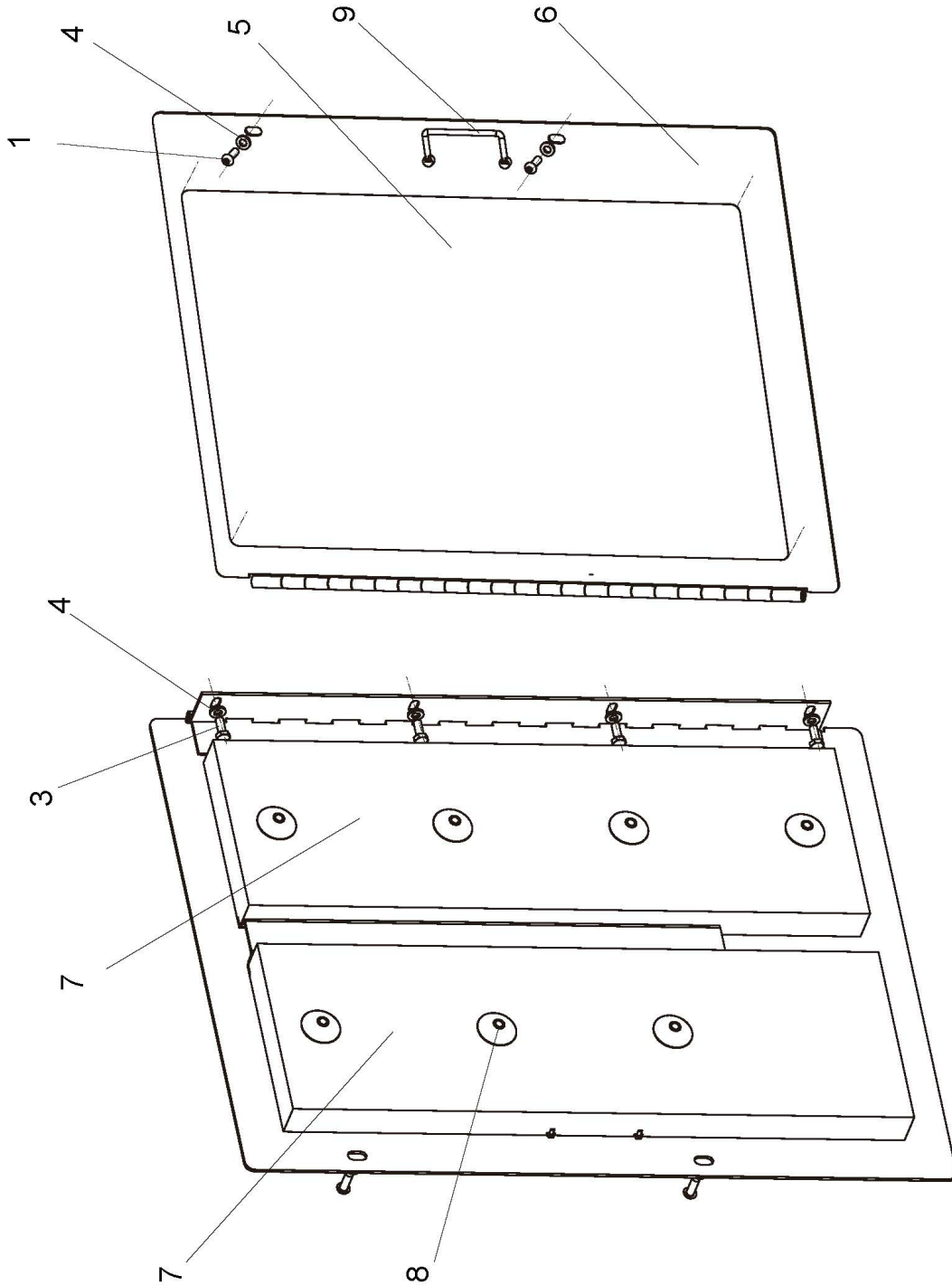
Item	Part No.	Name	Qty	L	SN INFO
1		Footwell, left	1		
2	4812245046	Plate	1		
3		Footwell, middle	1		
4		Footwell, right	1		
5	4812245344	Steel angle	4		
6	4812245013	Girder, left	1		
7	4812246519	Support	1		
8	4812245044	Girder, right	1		
9	0147136003	Hex. head screw M10 x 20	16		
10	D939776115	Washer	4		
11	4749901807	Washer	12		

Footwell Footwell, left



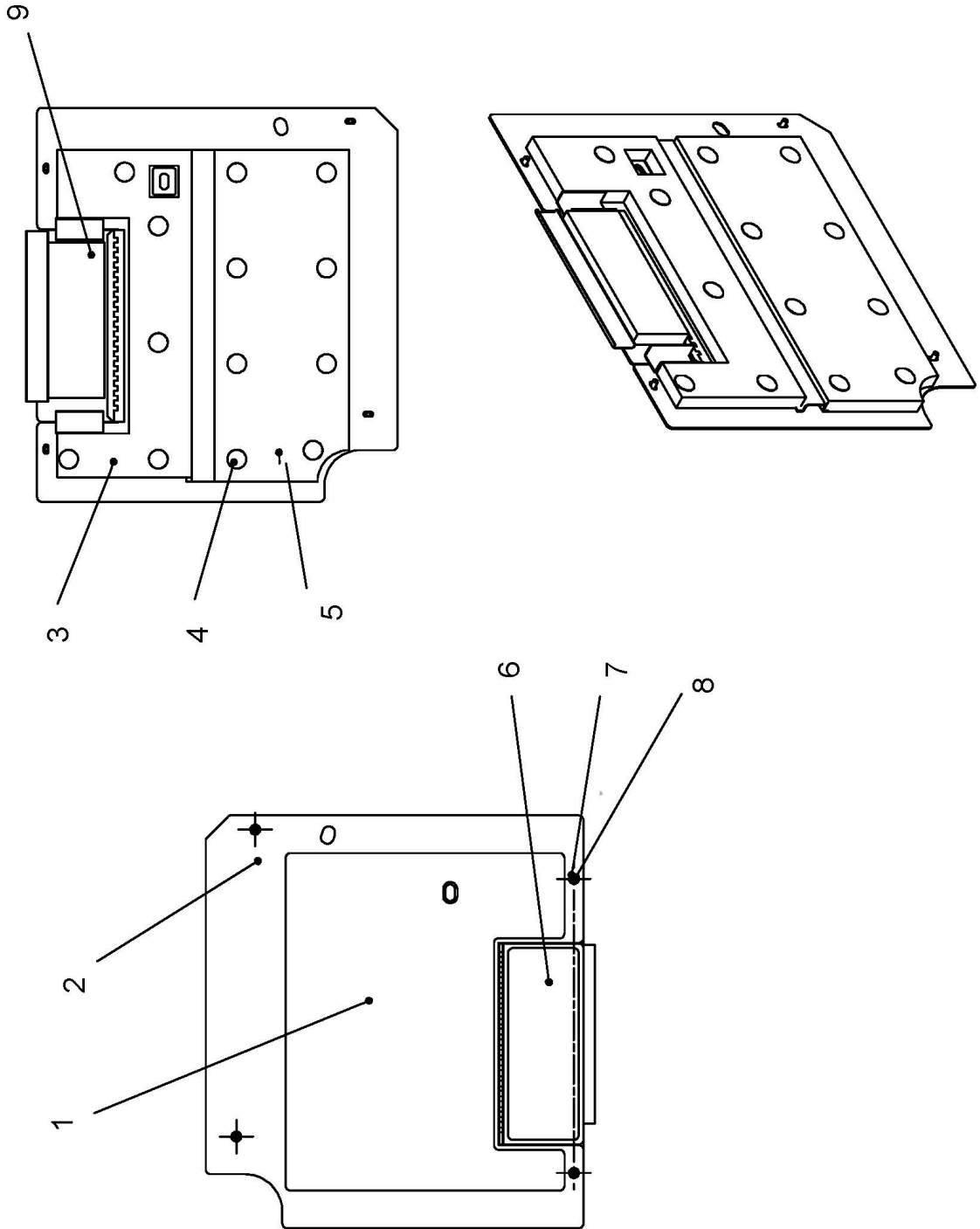
Item	Part No.	Name	Qty	L	SN INFO
1	4812244951	Footplate. left	1		
2	4812245406	Anti-slip tape	1		
3	4812245395	PU foam	1		
4	4812245396	PU foam	1		
5	4749301479	Clip	12		
6	4812246805	PU foam	1		
7	4812246806	Anti-slip tape	1		
8	939142511	Screw	4		
9	D939776115	Washer	4		
10	4812248550	Anti-slip tape	1		
11	4812248551	Insulation board	1		
12	4812245338	Retaining ring	1		
13	4812245509	Locking device	1		

Footwell Footwell middle



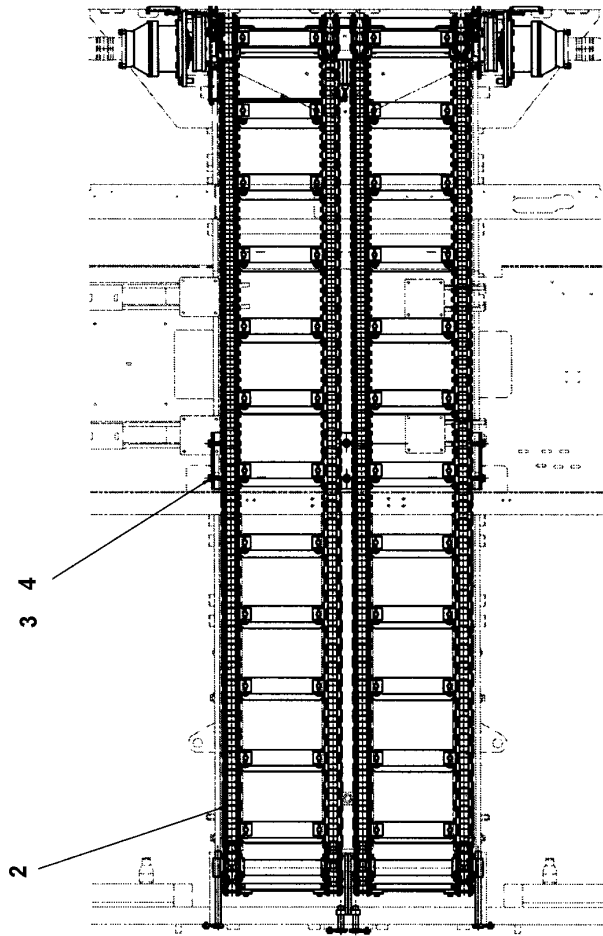
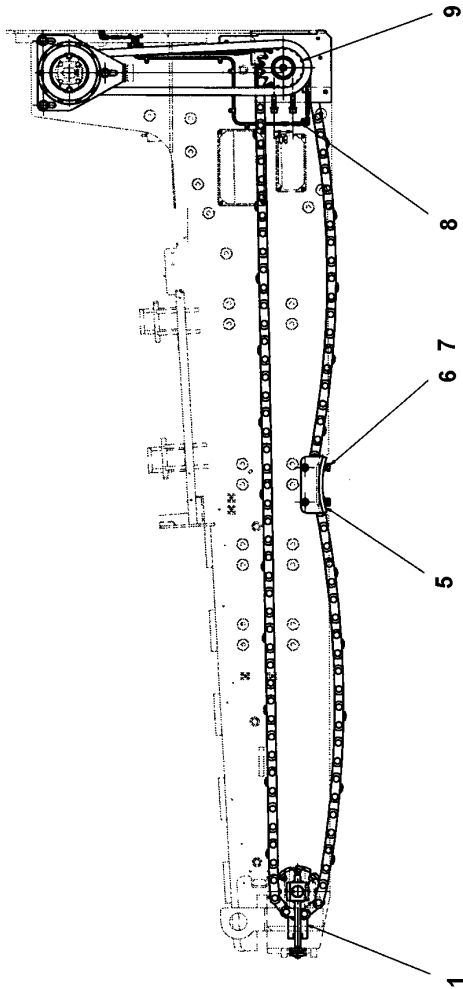
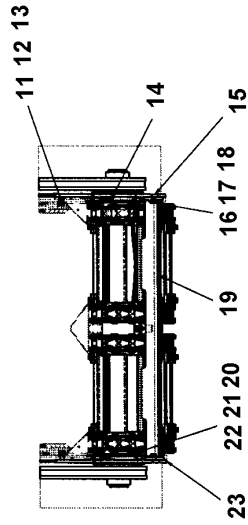
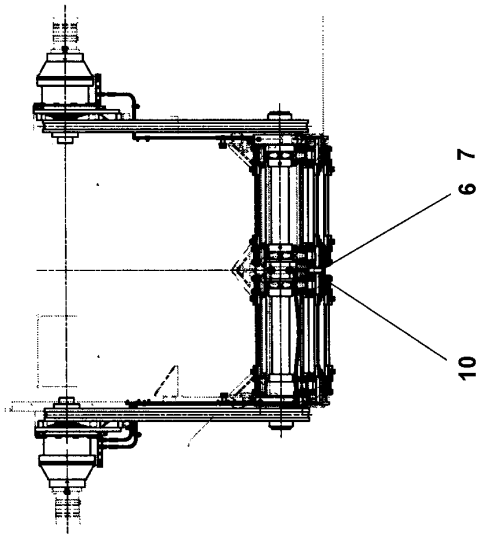
Item	Part No.	Name	Qty	L	SN INFO
1	0215001072	Hexagon socket button head screw	2		
3	0147132303	Screw DIN933	4		
4	D939776113	Washer	4		
5	4812245407	Anti-slip tape	1		
6	4812244953	Footplate, middle	1		
7	4812245397	PU foam	2		
8	4749301479	Clip	7		
9	4812245627	Handle	1		
10	0300013040	Flat washer	2		

Footwell Footwell right



Item	Part No.	Name	Qty	L	SN INFO
1	4812245408	Anti-slip tape	1		
2	4812244955	Footplate, right	1		
3	4812245398	PU foam	1		
4	4749301479	Clip	13		
5	4812246818	PU foam	1		
6	4812246819	Anti-slip tape	1		
7	D939776115	Washer	4		
8	D939142511	Screw	4		
9	4812246820	PU foam	1		

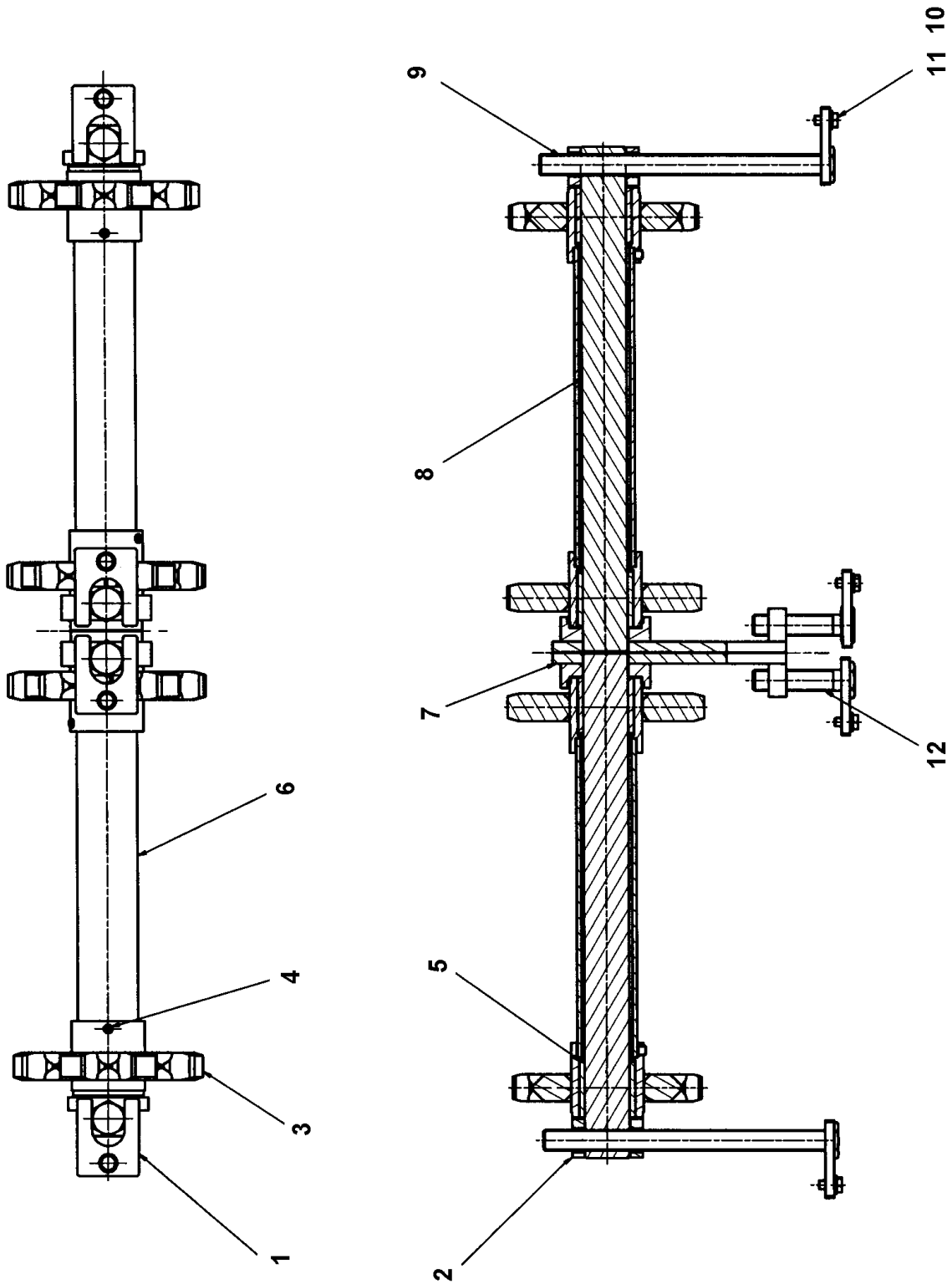
Conveyor drive assembly, 8' paver Conveyor drive assembly



Refer to Parts Online for the most up to date information. The printed information might be outdated.
Wed Oct 21 02:00:23 MDT 2015

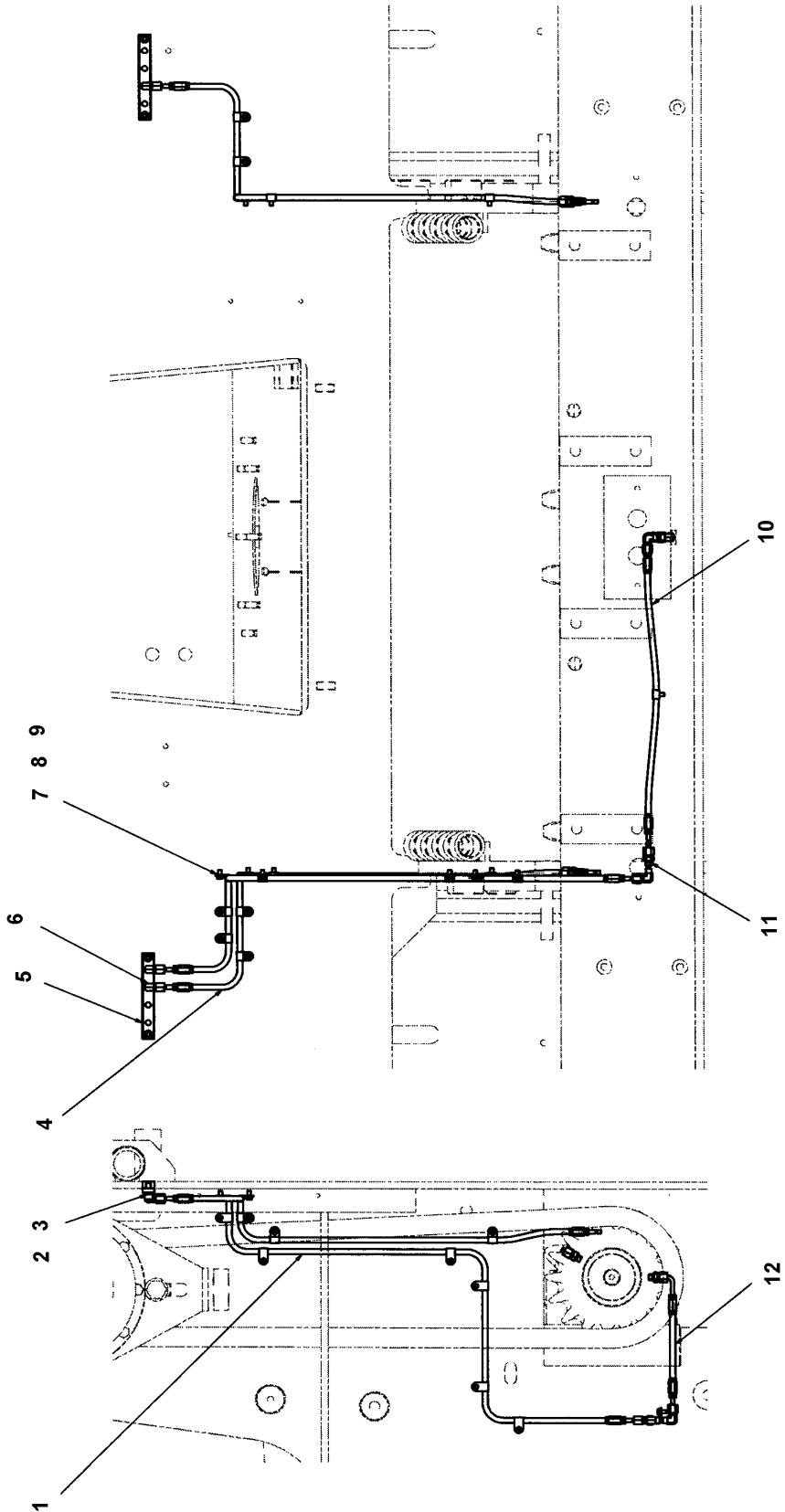
Item	Part No.	Name	Qty	L	SN INFO
1		Tensioner, assembly	1		
2		Conveyor chain, assembly	2		
3	D939776124	Washer	4		
4	5540084600	Hexagon head screw	4		
5	4812223935	Outer chain support	2		
6	4812223998	Screw	2		
7	4812223999	Washer	2		
8		Lubrication system	1		
9		Conveyor drive complete	1		
10	4812223501	Middle chain support	1		
11	0147147703	Hex head screw M16 x 40	4		
12	4812240074	Washer	4		
13	0301237800	Plain washer	4		
14	4812246044	Protect plate	2		
15	4812246055	Plate	1		
16	4812241179	Bolt	4		
17	4812240197	Washer	4		
18	0301235800	Plain washer 13 x 24 x 2.5	4		
19	4812246062	Conveyor guard, weldment	1		
20	0301234400	Plain washer M10.5/22	4		
21	4812240226	Washer	4		
22	0147136003	Hex. head screw M10 x 20	4		
23	4812246056	Plate	1		

Conveyor drive assembly, 8' paver Tensioner, assembly



Item	Part No.	Name	Qty	L	SN INFO
1	4812223906	Tab, adjuster lock	4		
2	4812223903	Slide, outer shaft	2		
3	4812223916	Assembly, sprocket	4		
4	4732512399	Threaded pin	4		
5	D717060504	Bearing, shaft	4		
6	4812245354	Housing, shaft spacer	2		
7	4812223899	Inner shaft slide	2		
8	4812245363	Shaft, conveyor roller	2		
9	4812247989	Bolt	2		
10	D939776115	Washer	4		
11	0147136003	Hex. head screw M10 x 20	4		
12	4812247990	Bolt	2		
13		Thread locking	0.00 4		

Conveyor drive assembly, 8' paver Lubrication system

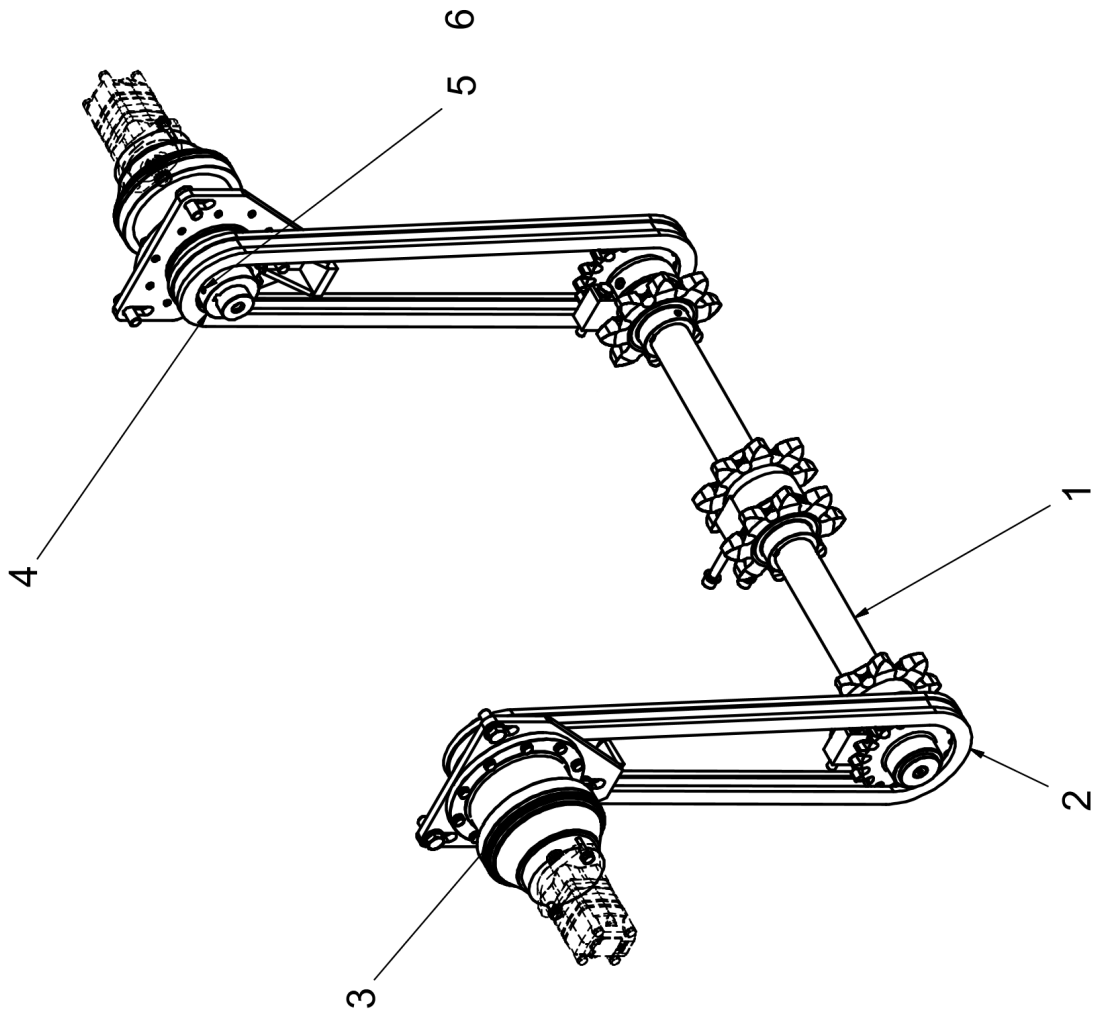


Refer to Parts Online for the most up to date information. The printed information might be outdated.

Wed Oct 21 02:00:24 MDT 2015

Item	Part No.	Name	Qty	L	SN INFO
1	4812245490	Grease hose	1		
2	4812240307	Washer	4		
3	0211132303	Hex sock screw	4		
4	4812245491	Grease hose	2		
5	4812245493	Block	2		
6	4812243581	Joint	6		
7	4812241744	Pipe clamp	19		
8	0215000621	Hexagon socket button head screw	19		
9	4812241086	Washer	19		
10	4812245495	Grease hose	1		
11	4812240469	Pipe joint	4		
12	4812245496	Grease hose	1		

Conveyor drive complete assembly Conveyor drive complete, assembly

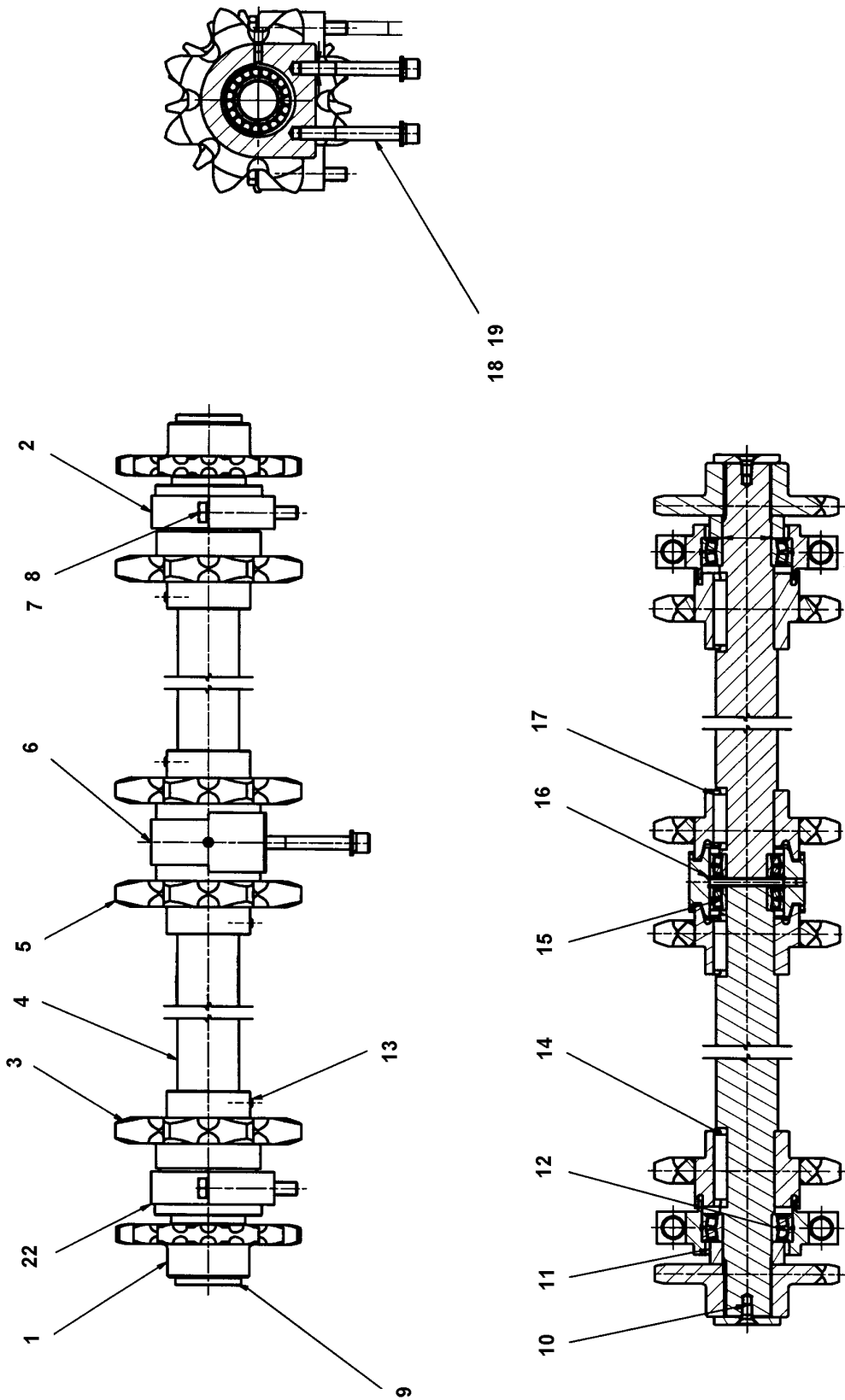


Refer to Parts Online for the most up to date information. The printed information might be outdated.

Wed Oct 21 02:00:25 MDT 2015

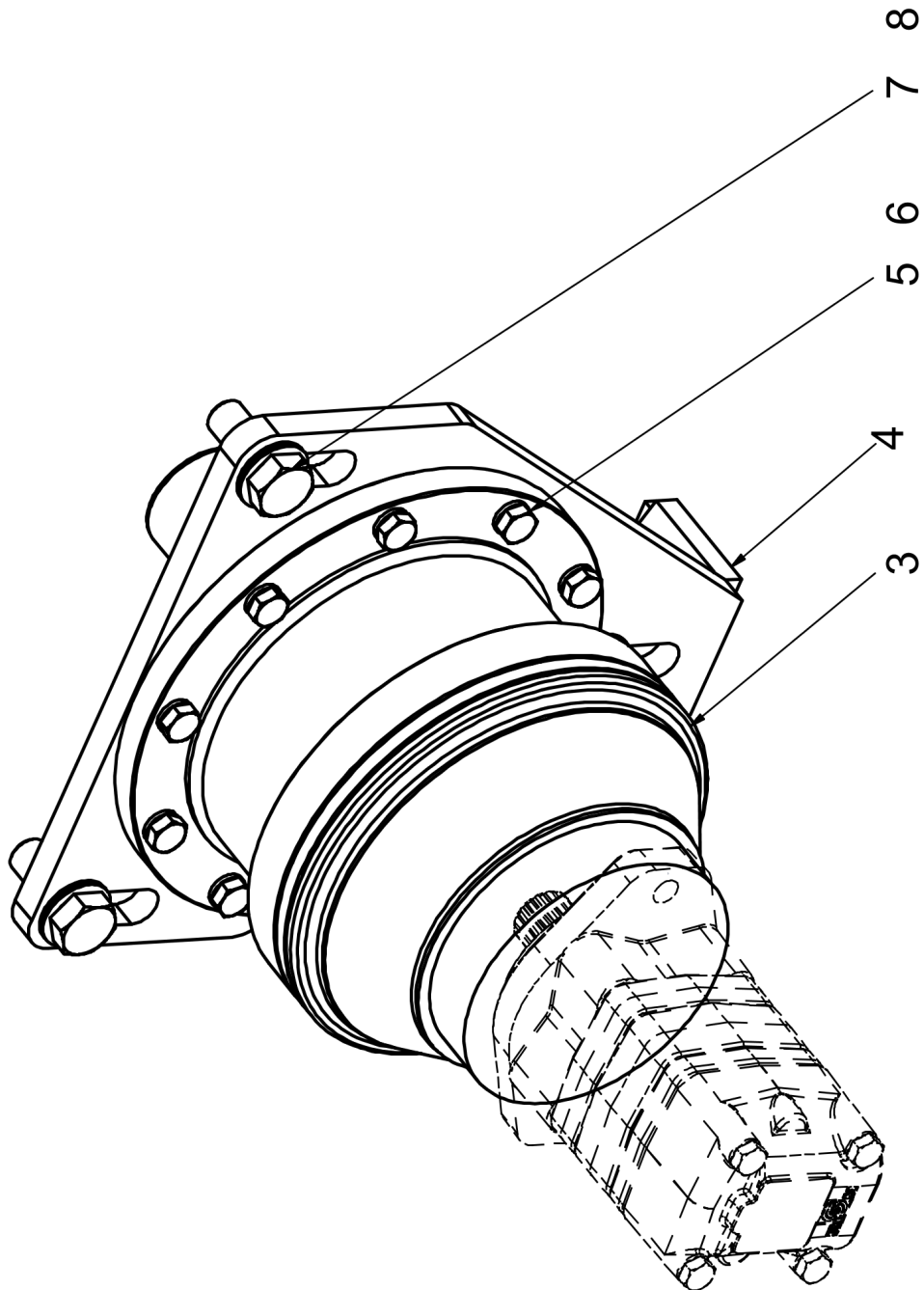
Item	Part No.	Name	Qty	L	SN INFO
1		Conveyor drive, assembly	1		
2	4812245382	Chain	2		
3		Motor and gearbox	2		
4	4812245513	Conveyor drive, sprocket	2		
5	5730011229	Threaded pin	2		
6		Thread locking	0.00 2		

Conveyor drive complete assembly Conveyor drive, assembly



Item	Part No.	Name	Qty	L	SN INFO
1	4812245420	Sprocket	2		
2	4812245438	Housing	1		
3	4812242627	Weldment, sprocket & hub	2		
4	4812245461	Drive shaft	2		
5	4812242654	Weldment, sprocket & hub	2		
6	4812245481	Bearing housing	1		
7	4812240074	Washer	6		
8	0147149103	Hex. head screw	4		
9	4812223894	Cap, shaft end	2		
10	0216110059	Countersunk screw	2		
11	4812223893	Spacer, outer conv sp	2		
12	D717061004	Bearing, conveyor drive end	2		
13	4749900615	Threaded pin	4		
14	D717061023	Key, 3.125'	2		
15	D717061003	Bearing, conveyor drive middle	2		
16	4812240170	Circlip	2		
17	D717061022	Key, 2.375'	2		
18	0301237800	Plain washer	2		
19	D937932512	Hexagon socket head cap screw	2		
20		Thread locking	0.00 4		
21	4812040894	Grease	0.4		
22	4812246038	Housing	1		

Conveyor drive complete assembly Motor and gearbox

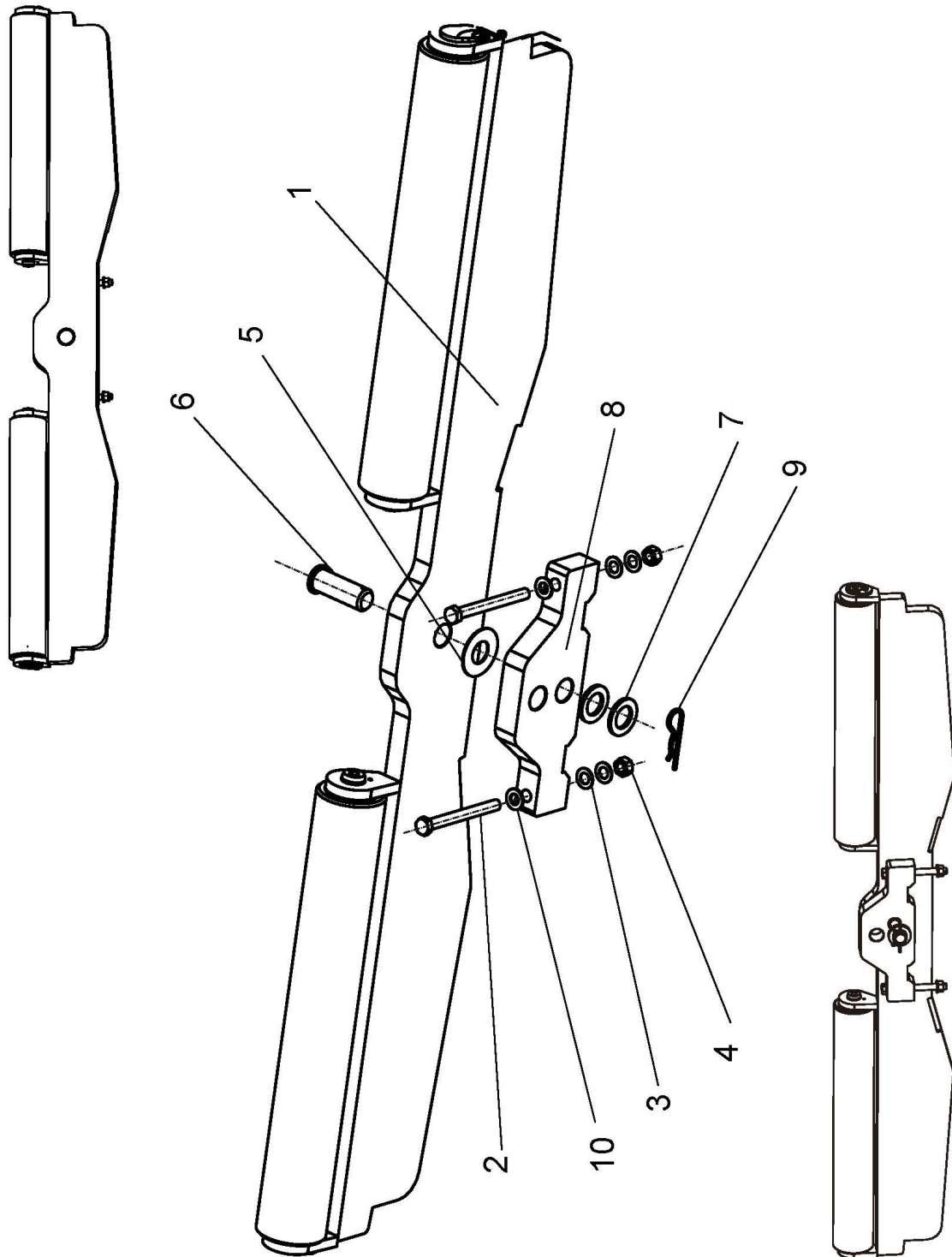


Refer to Parts Online for the most up to date information. The printed information might be outdated.

Wed Oct 21 02:00:26 MDT 2015

Item	Part No.	Name	Qty	L	SN INFO
3	D717061012	Gearbox	1		
4	4812246712	Weldment mount	1		
5	4812223914	Hexagon screw	10		
6	4749901808	Washer	10		
7	D938116929	Hex. screw	3		
8	D939776129	Locking washer	3		
9		Oil	1.5		

Push roller assembly, STD Push roller assembly

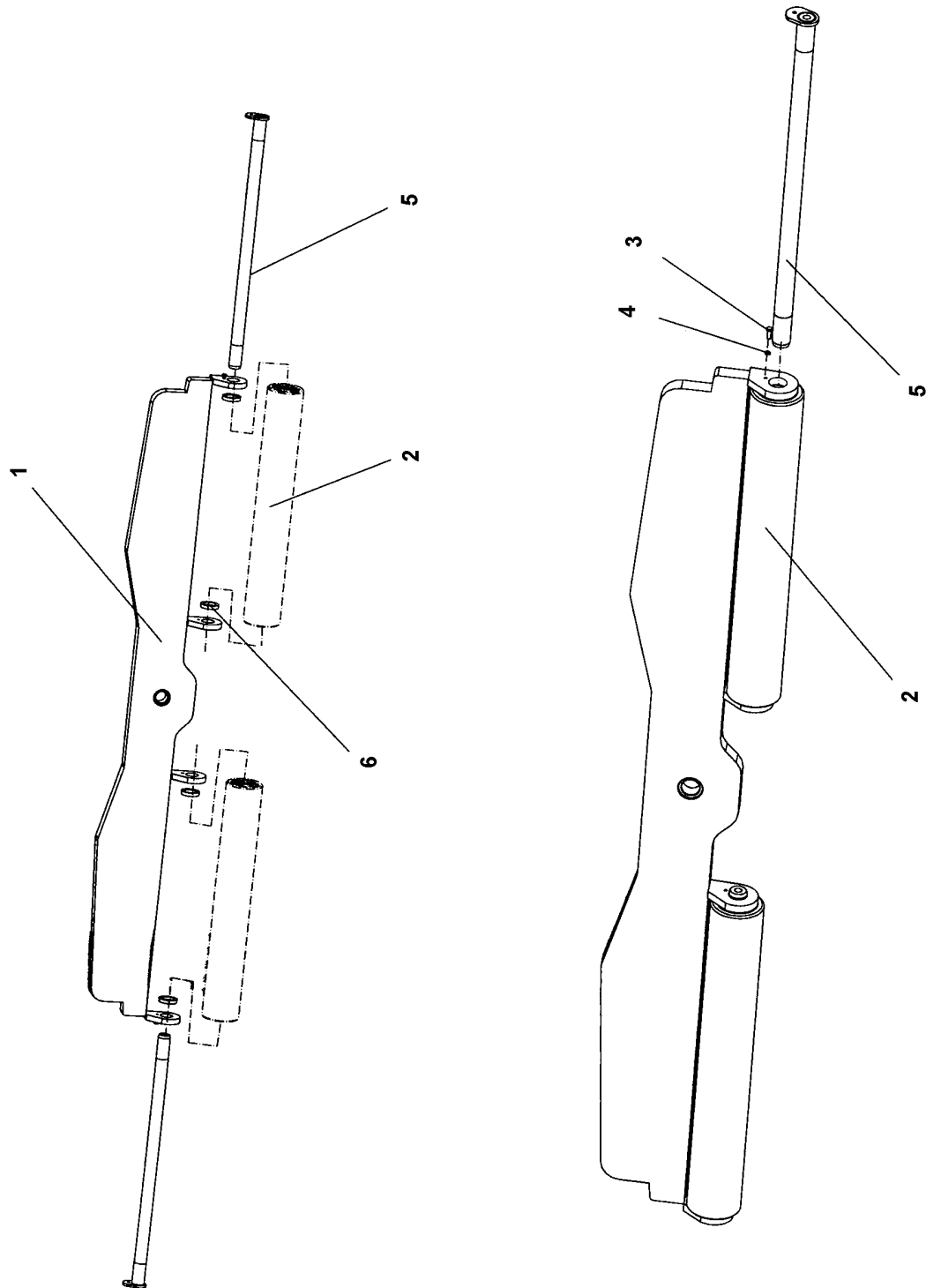


Refer to Parts Online for the most up to date information. The printed information might be outdated.

Wed Oct 21 02:00:27 MDT 2015

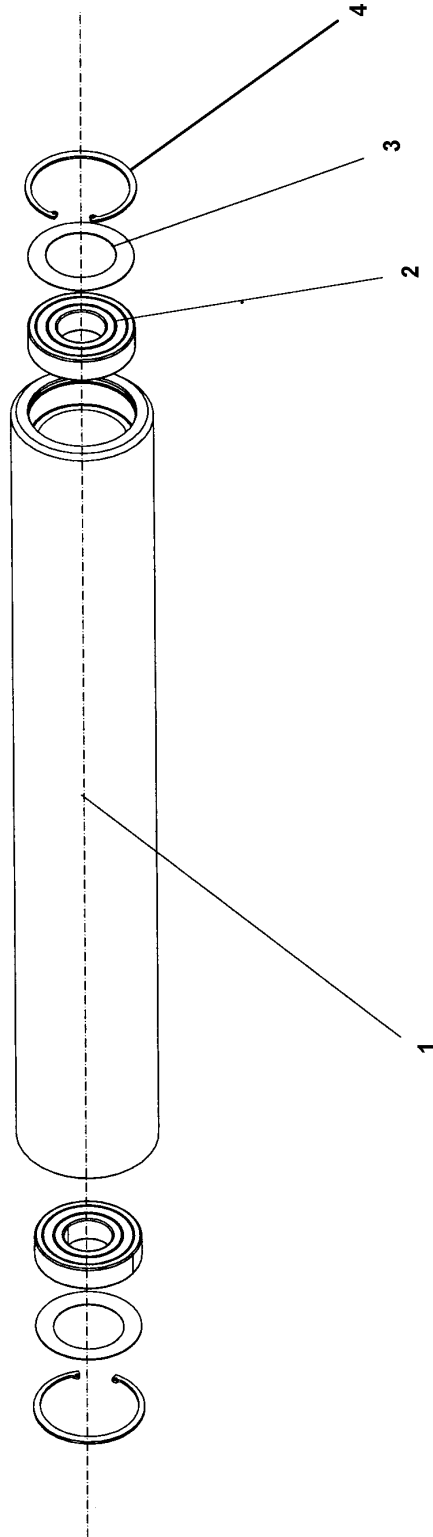
Item	Part No.	Name	Qty	L	SN INFO
1		Push roller upper	1		
2	4812223968	Bolt	2		
3	D939776129	Locking washer	2		
4	5540164900	Hexagon nut	2		
5	4812223953	Push roller washer	1		
6	4812244348	Pin, pivot	1		
7	4812223951	Washer, pin	2		
8	4812245405	Plate, holder, push roller	1		
9	D930205010	Spring pin	1		
10	D939515040	Washer	2		

Push roller assembly, STD Push roller upper



Item	Part No.	Name	Qty	L	SN INFO
1	4812243550	Crosshead, weldment	1		
2		Roller assembly	2		
3	0147132503	Screw DIN933	2		
4	D939776113	Washer	2		
5	4812223946	Bearing bolt	2		
6	4812223954	Ring, spacer	4		

Push roller assembly, STD 4812223943 Roller assembly

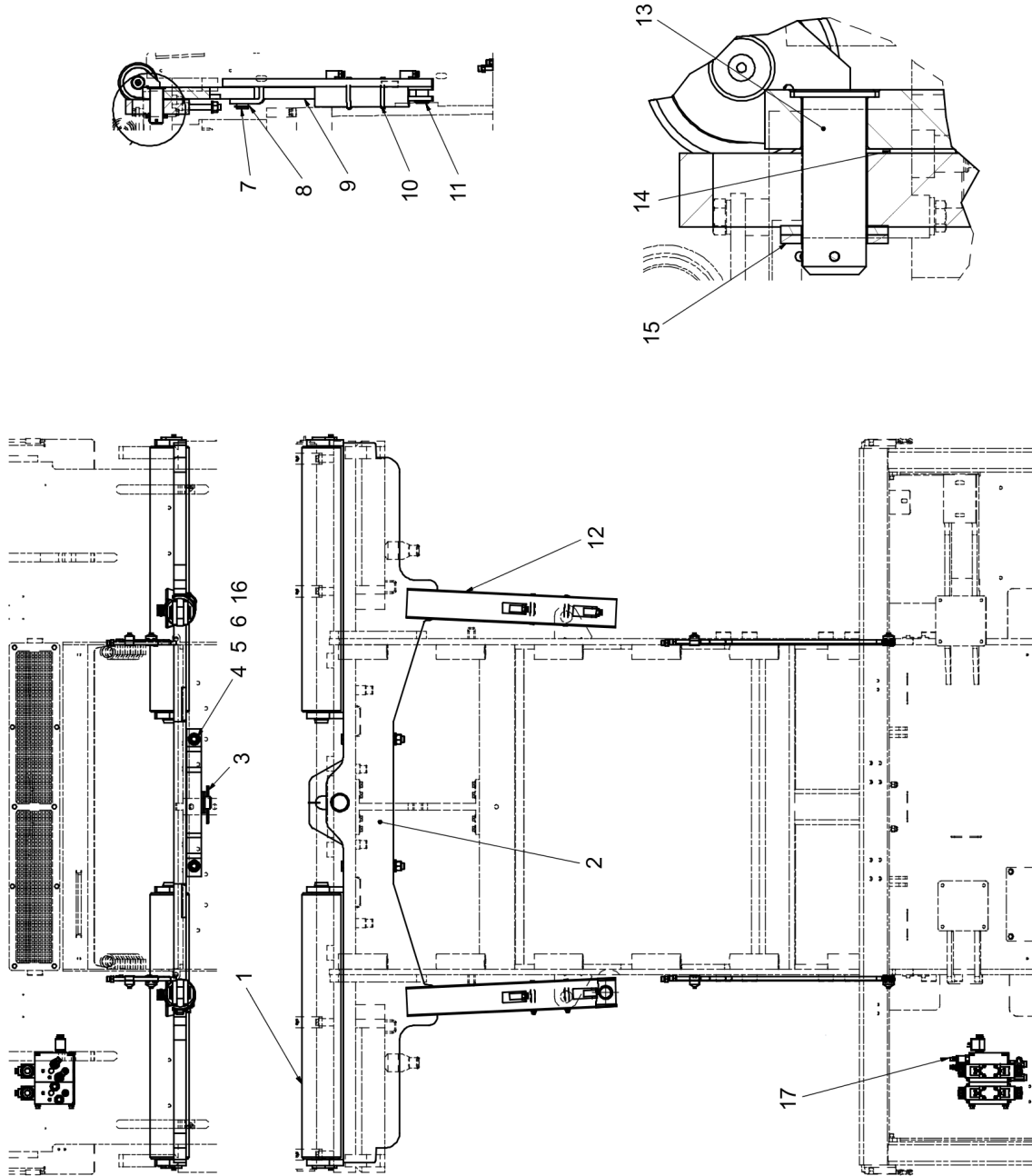


Refer to Parts Online for the most up to date information. The printed information might be outdated.

Wed Oct 21 02:00:27 MDT 2015

Item	Part No.	Name	Qty	L	SN INFO
1	4812223944	Roller	1		
2	D717011014	Bearing, push roller	2		
3	D717011016	Disc spring	2		
4	4812240180	Circlip	2		

Push roller assembly, safe impact hydraulic Push roller paver hydraulic

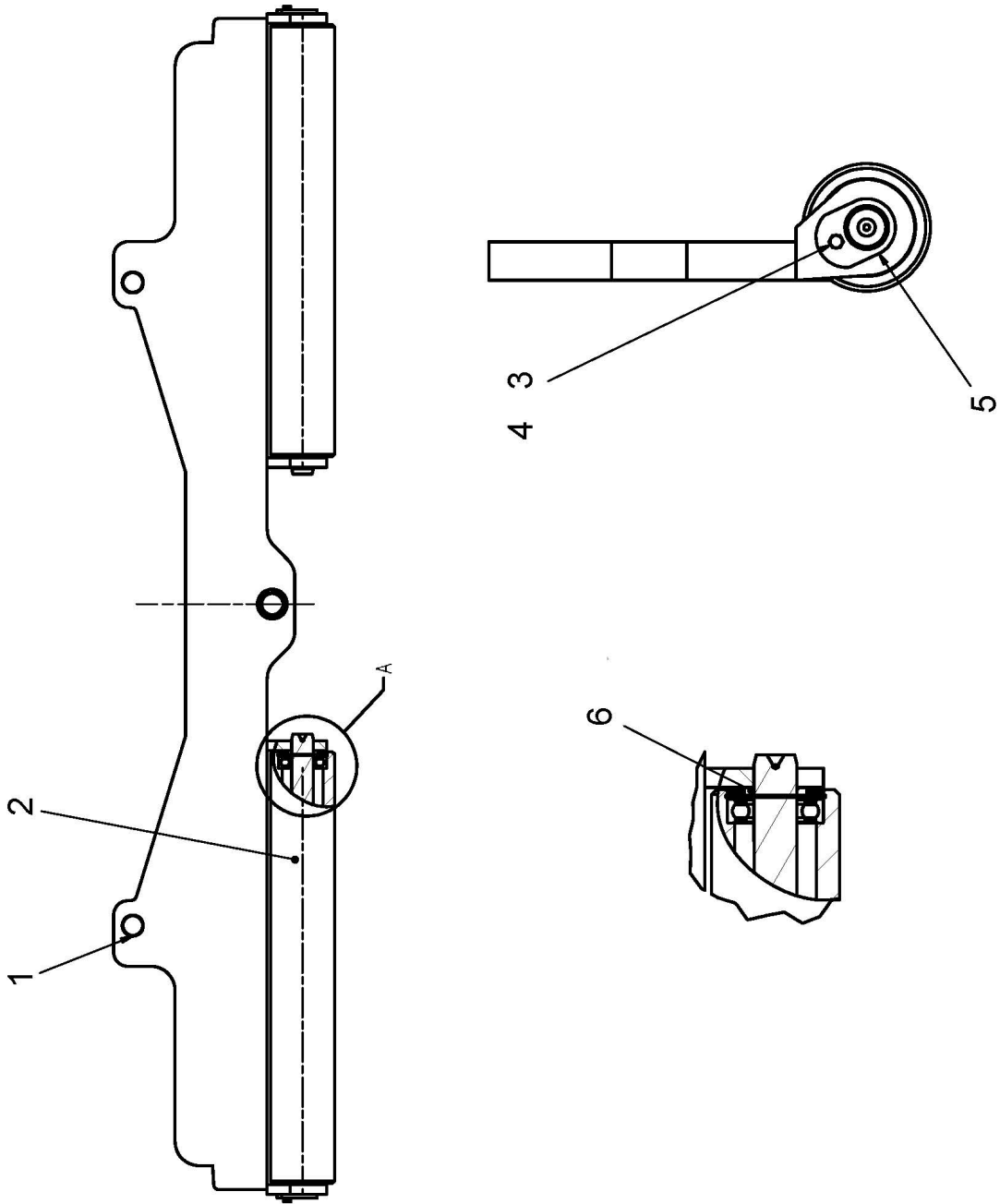


Refer to Parts Online for the most up to date information. The printed information might be outdated.

Wed Oct 21 02:00:28 MDT 2015

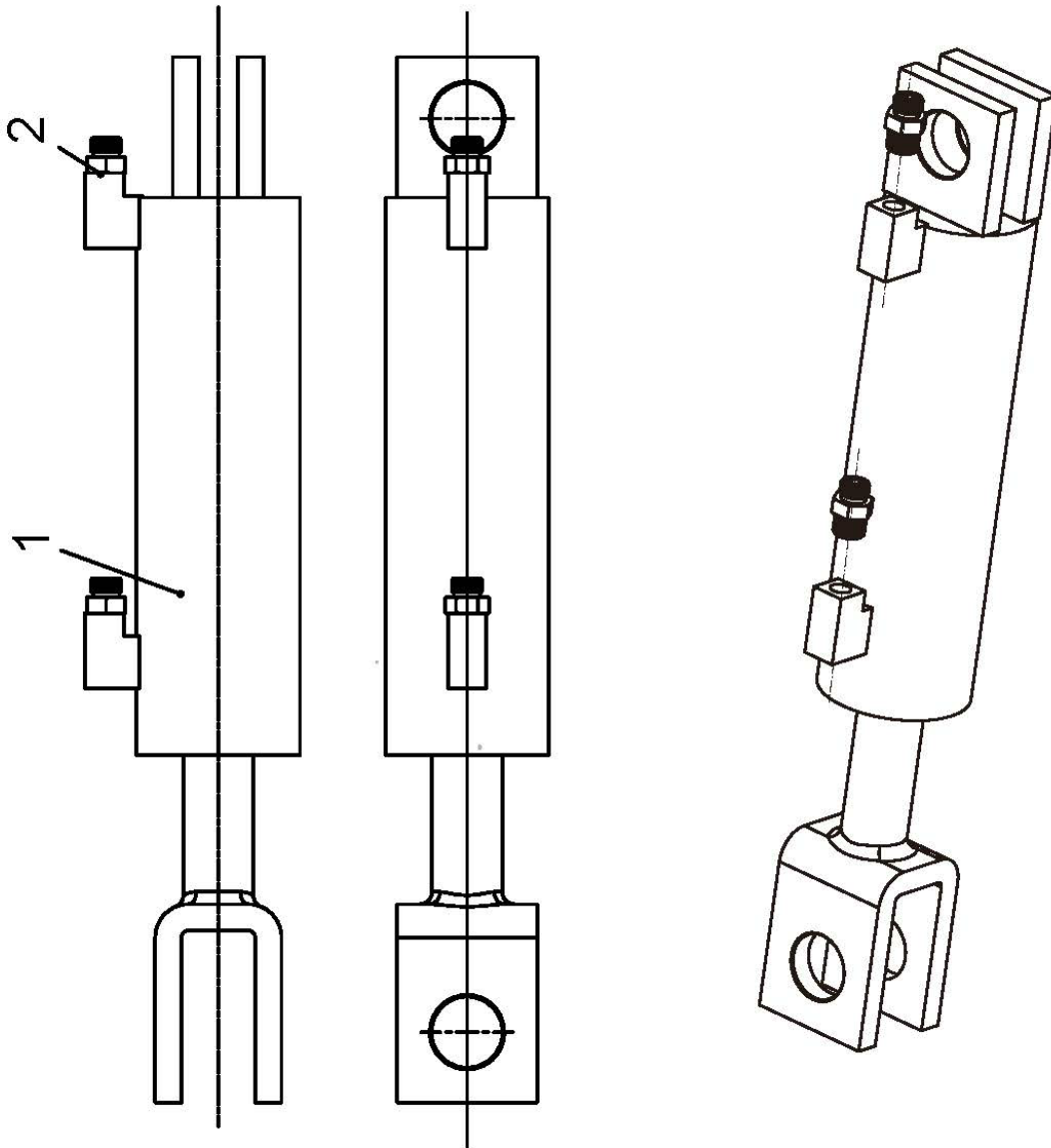
Item	Part No.	Name	Qty	L	SN INFO
1		Push roller upper hydraulic	1		
2	4812243552	Plate, holder, push roller	1		
3	D930205010	Spring pin	1		
4	5540164900	Hexagon nut	2		
5	D939776129	Locking washer	2		
6	4812223968	Bolt	2		
7	4812030272	Bolt	2		
8	4749900349	Circlip	8		
9		Cylinder push roller	2		
10	D934400180	Clamp	4		
11	4812030271	Bolt	2		
12	4812244211	Cover	2		
13	4812244348	Pin, pivot	1		
14	4812223953	Push roller washer	1		
15	4812223951	Washer, pin	2		
16	D939515040	Washer	2		
17		Push roller option hydraulic kit	1		

Push roller assembly, safe impact hydraulic Push roller upper hydraulic



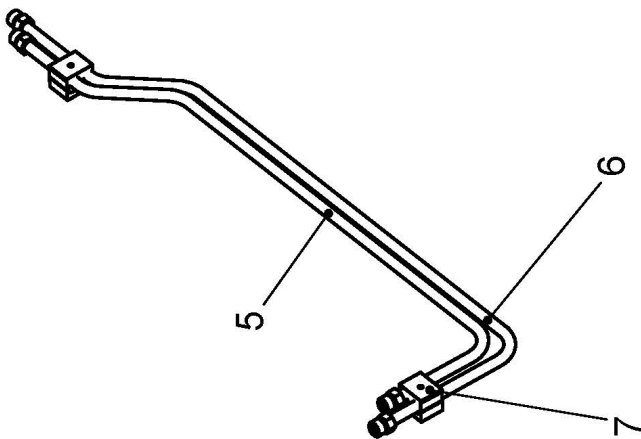
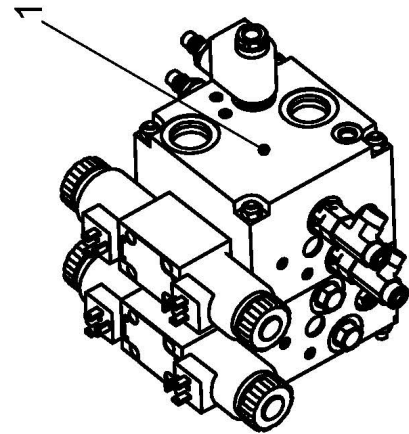
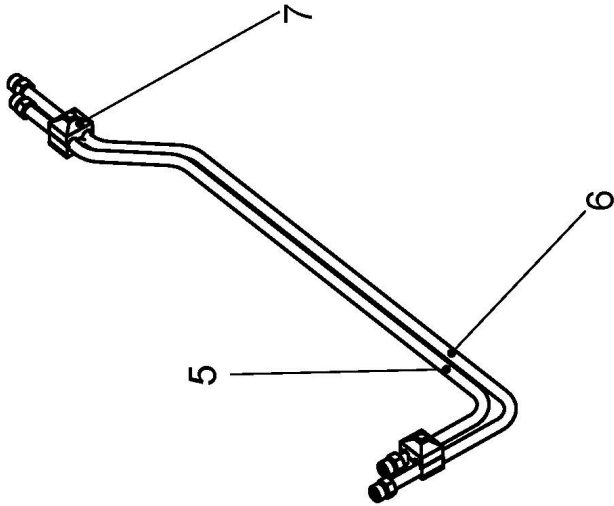
Item	Part No.	Name	Qty	L	SN INFO
1	4812246892	Weldment, crosshead hydraulic	1		
2		Roller assembly	2		
3	0147132503	Screw DIN933	2		
4	D939776113	Washer	2		
5	4812223946	Bearing bolt	2		
6	4812223954	Ring, spacer	4		

Push roller assembly, safe impact hydraulic Cylinder push roller assembly



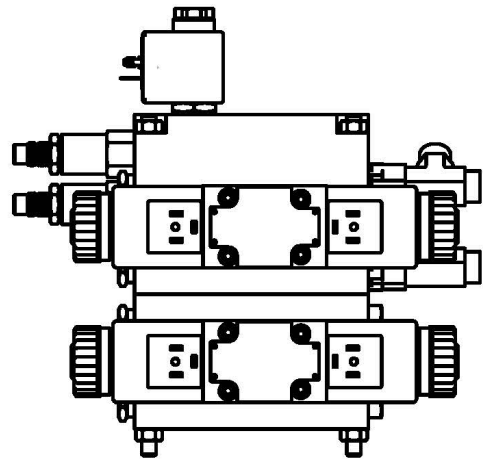
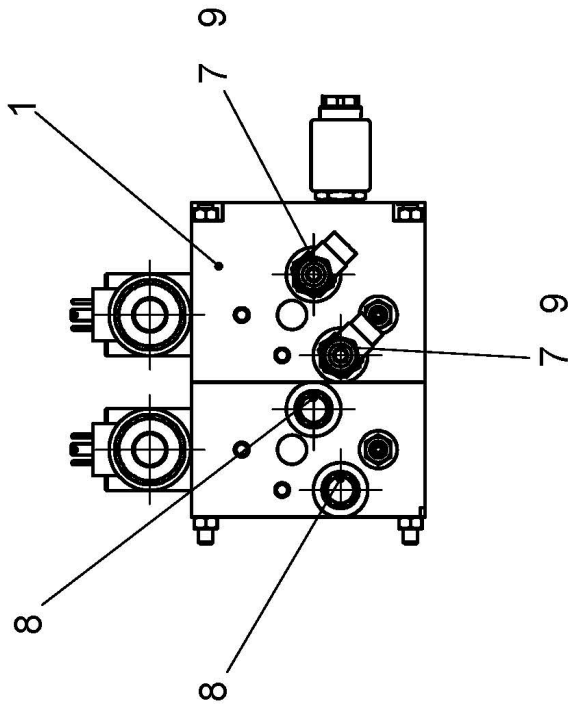
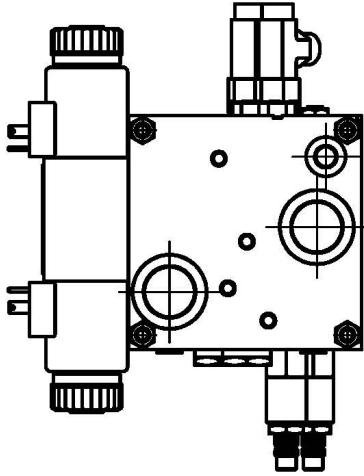
Item	Part No.	Name	Qty	L	SN INFO
1	4812249598	Cylinder 80/40 170 hub	1		
01	4812313213	Cylinder, seal kit	1		
2	4700791828	Adapter	2		

Push roller assembly, safe impact hydraulic Push roller option hydraulic kit



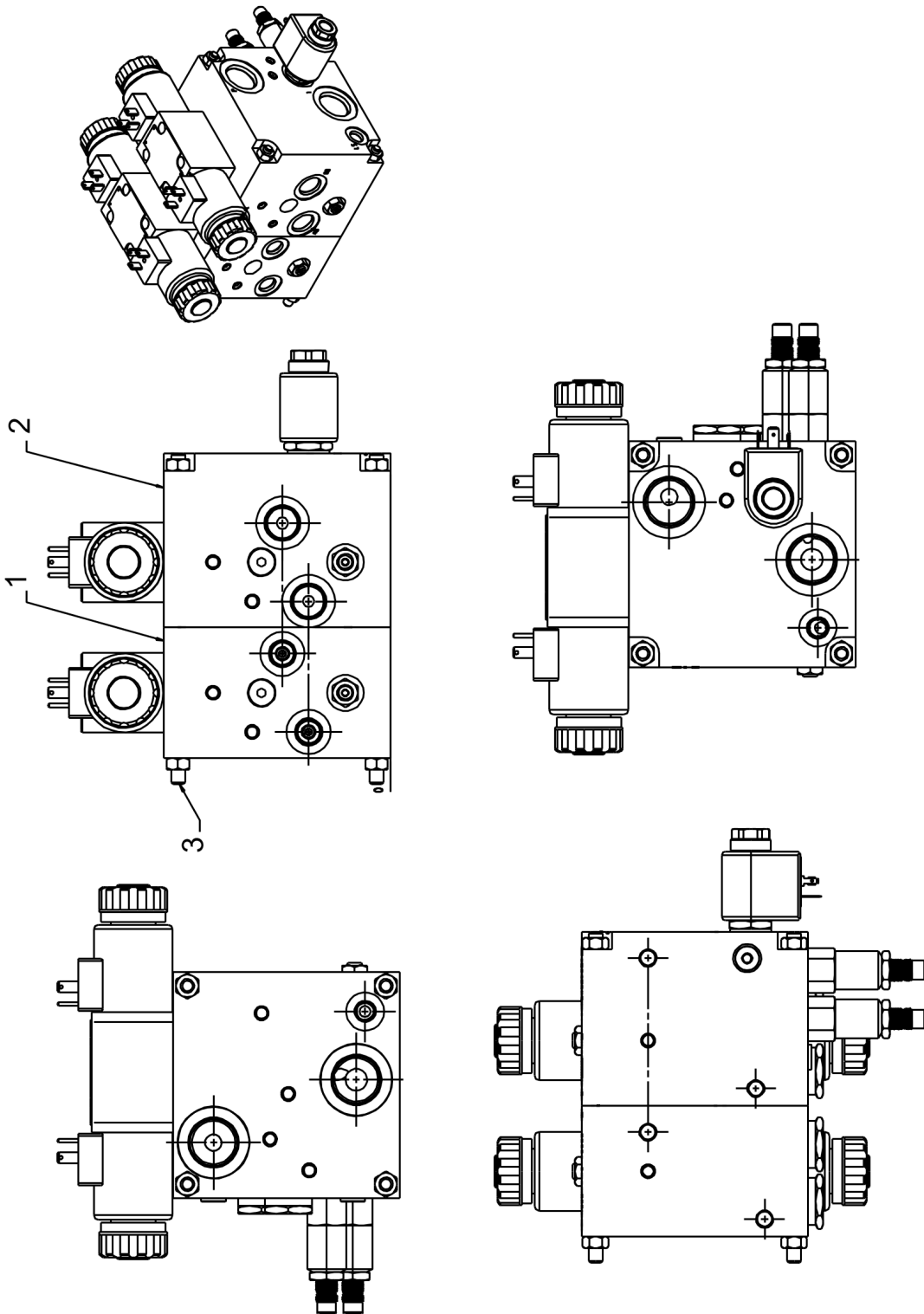
Item	Part No.	Name	Qty	L	SN INFO
1		Truck hitch & push roller	1		
5	4812244990	Tube, hyd	2		
6	4812245006	Tube, hyd	2		
7	D934362030	Clamp	4		
11	4812246462	Hose	2		
12	4812247921	Hose	2		
13	4812246191	Hose	2		
14	4812247750	Hose	2		

Truck hitch & push roller Truck hitch & push roller



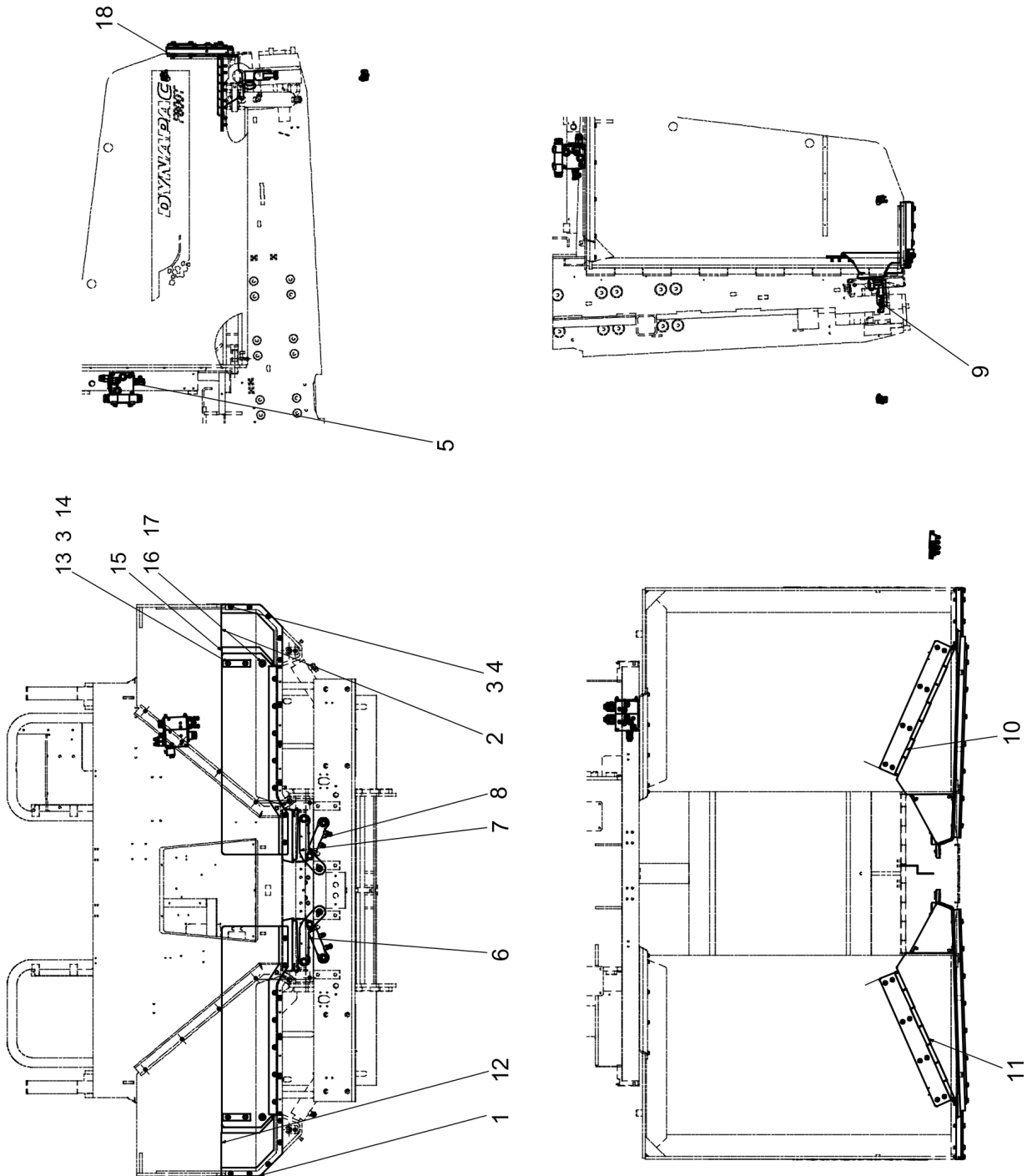
Item	Part No.	Name	Qty	L	SN INFO
1	4812244646	Flow control valve	1		
7	4700791828	Adapter	2		
8	D717802290	Plug, hex head	2		
9	4700791414	T-connection, O-ring with swivel	2		

Truck hitch & push roller 4812244646 Flow control valve



Item	Part No.	Name	Qty	L	SN INFO
1	4812313270	Optional B	1		
2	4812313271	Optional C	1		
3	4812313272	Staybolt, washer , nut	4		

Hopper assembly, powerd apron (USA) Hopper assembly, powerd apron



Refer to Parts Online for the most up to date information. The printed information might be outdated.

Wed Oct 21 02:00:31 MDT 2015

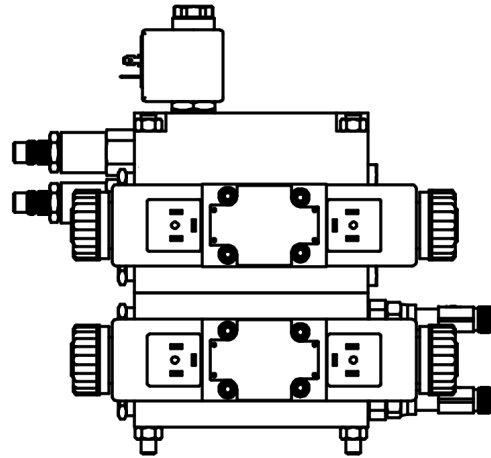
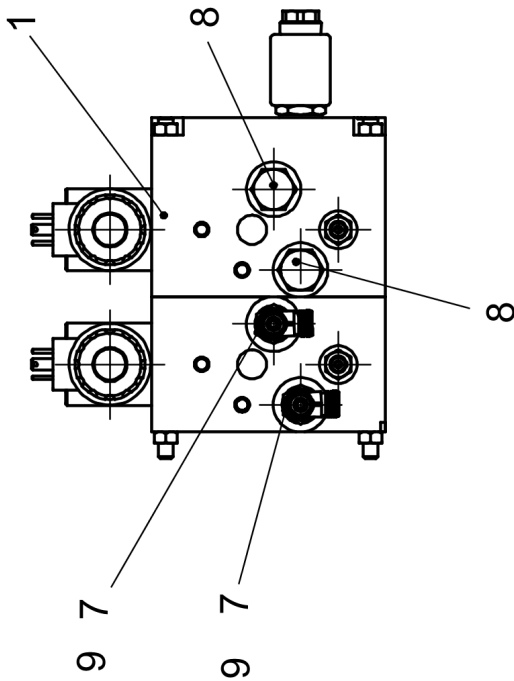
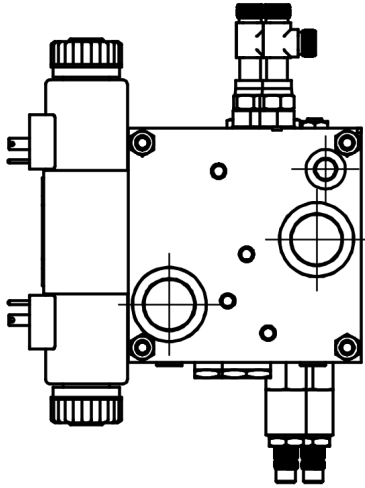
Item	Part No.	Name	Qty	L	SN INFO
1	4812245169	Press plate	2		
2	4812246660	Rubber plate	1		
3	0301235800	Plain washer 13 x 24 x 2.5	10		
4	0147196069	Screw	10		
5		Front plate option hydrl kit	1		
6		Swinging arm RH	1		
7		Swinging arm LH	1		
8		Dam board hydro-cylinder assy	2		
9	D936001597	Circlip	2		
10		Front hopper RH	1		
11		Front hopper LH	1		
12	4812204129	Rubber plate	1		
13	0147141112	Hexagon head screw	4		
14	4812204190	Press plate	4		
15	4812204339	Rubber plate	2		
16	0147196424	Hexagon head screw	2		
17	0300013042	Flat washer	4		
18	5730008013	Hexagon nut	6		

Front plate option Hydr. kit Front plate option Hydr. kit

NO EXPLODED VIEW
AVAILABLE
FOR THIS BOM

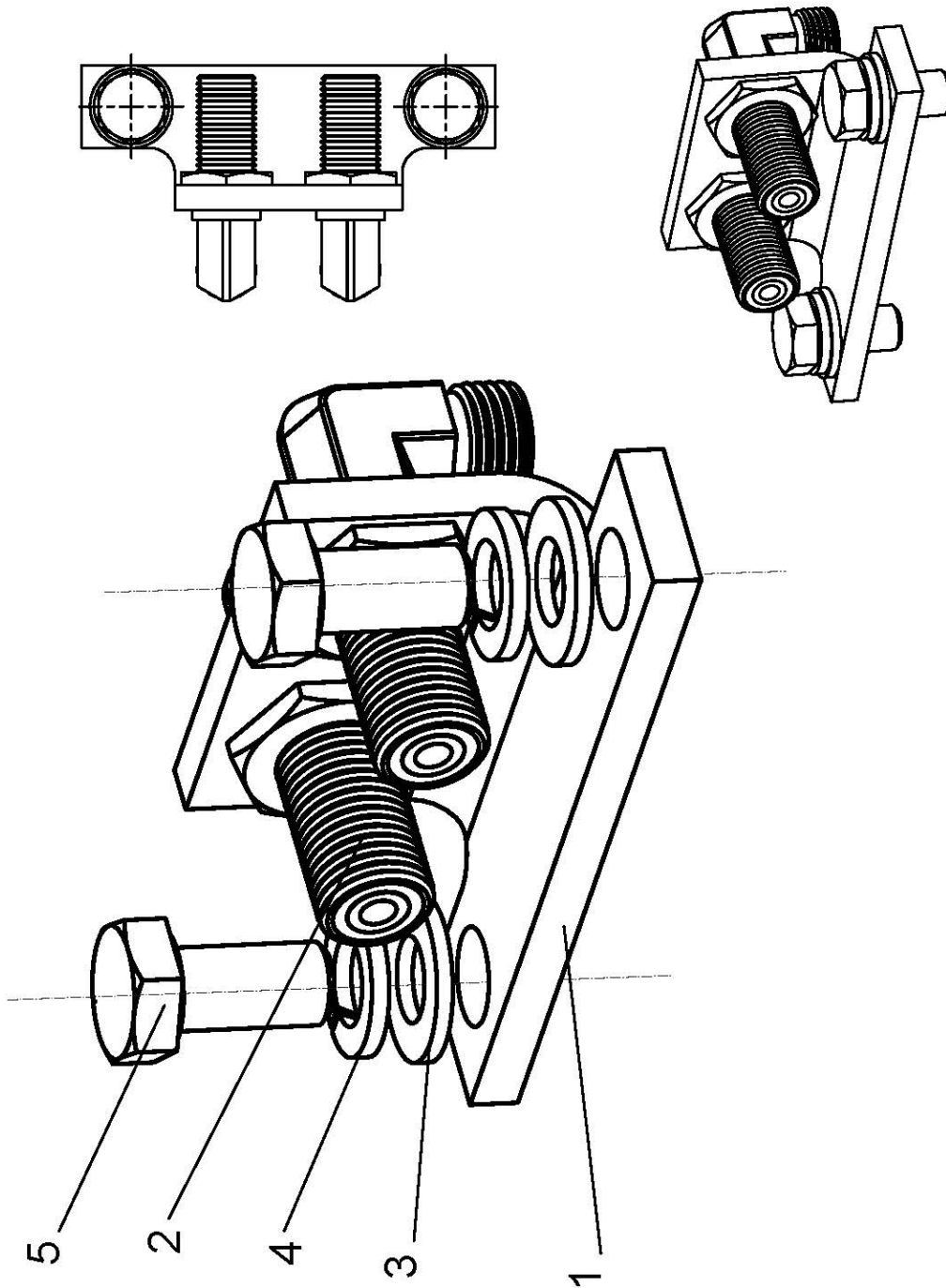
Item	Part No.	Name	Qty	L	SN INFO
1		Front plate hic option	1		
5		Connector plate	2		
8	4812247898	Hose	2		
9	4812247899	Hose	2		
10	4812247981	Hose	2		
11	4812247982	Hose	2		

Front plate option Hydr. kit Front plate hic option



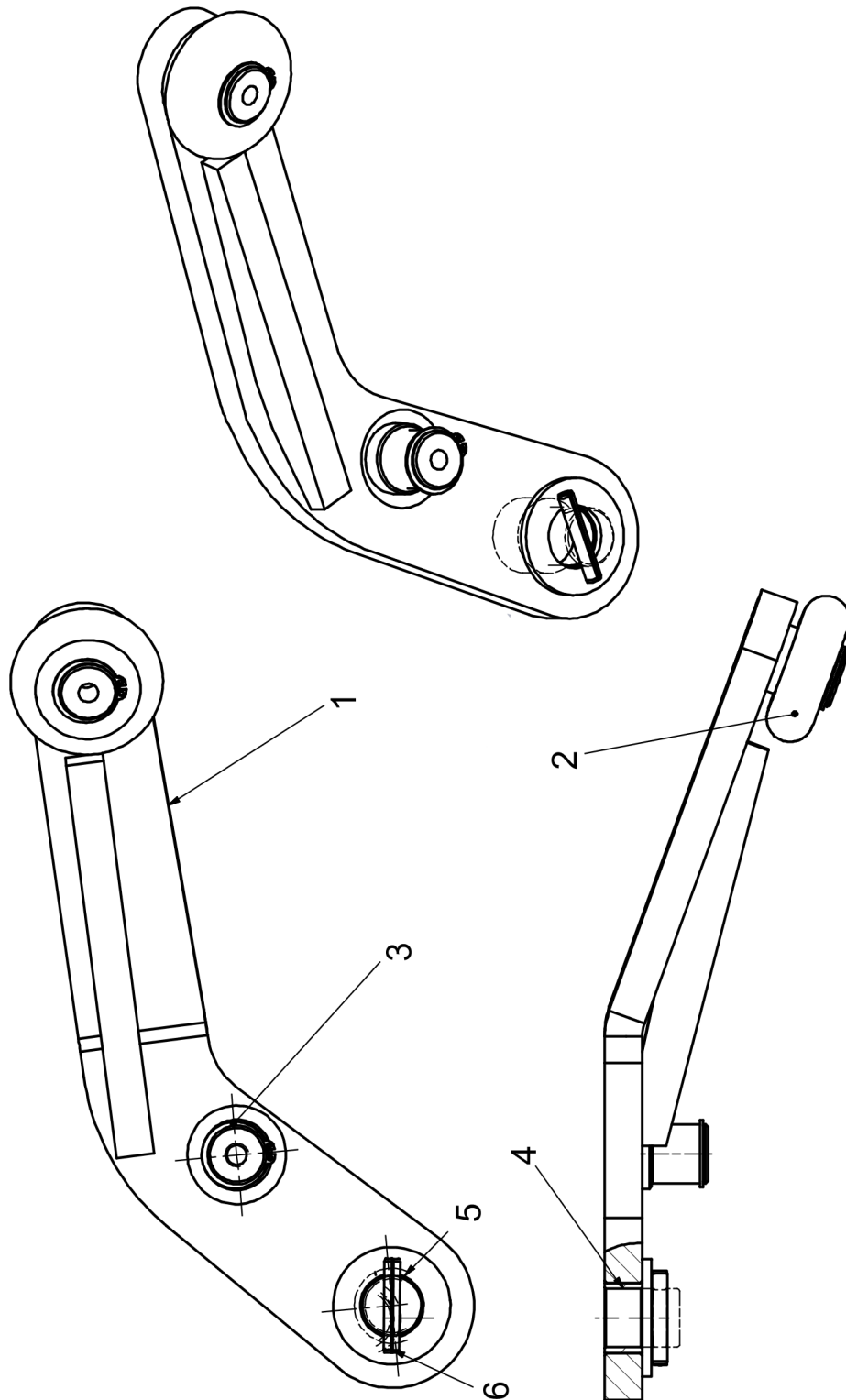
Item	Part No.	Name	Qty	L	SN INFO
1	4812244646	Flow control valve	1		
7	4700791914	Adapter	2		
8	4812246479	Plug	2		
9	4812244854	Adapter	2		

Front plate option Hydr. kit Connector plate



Item	Part No.	Name	Qty	L	SN INFO
1	4812248051	Connector plate	1		
2	4700792343	Adapter	2		
3	0301234400	Plain washer M10.5/22	2		
4	4749901599	Spring washer	2		
5	0147136003	Hex. head screw M10 x 20	2		

Hopper assembly, powerd apron (USA) Swinging arm RH



Refer to Parts Online for the most up to date information. The printed information might be outdated.

Wed Oct 21 02:00:32 MDT 2015

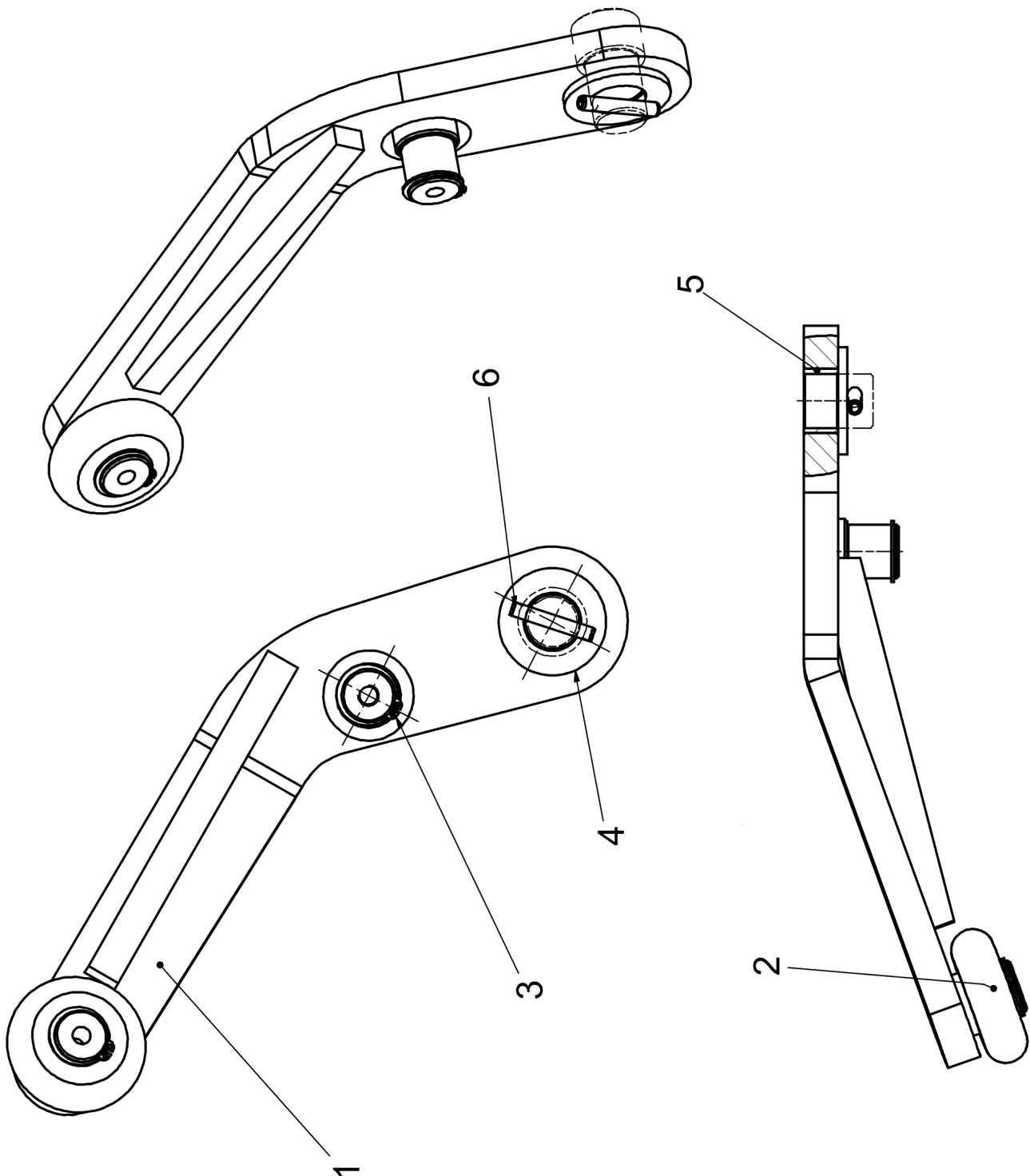
Item	Part No.	Name	Qty	L	SN INFO
1	4812246849	Swinging arm RH	1		
2	4812246950	Roller	1		
3	D936001597	Circlip	2		
4	4812246948	Bushing	1		
5	4812240067	Washer	1		
6	D931500924	Dowel pin	1	A	

Comments for Page: Swinging arm RH

(L)OCAL REMARK

A | Add item D931500924 from SN: 10002133TFC005022

Hopper assembly, powerd apron (USA) Swinging arm LH



Refer to Parts Online for the most up to date information. The printed information might be outdated.

Wed Oct 21 02:00:33 MDT 2015

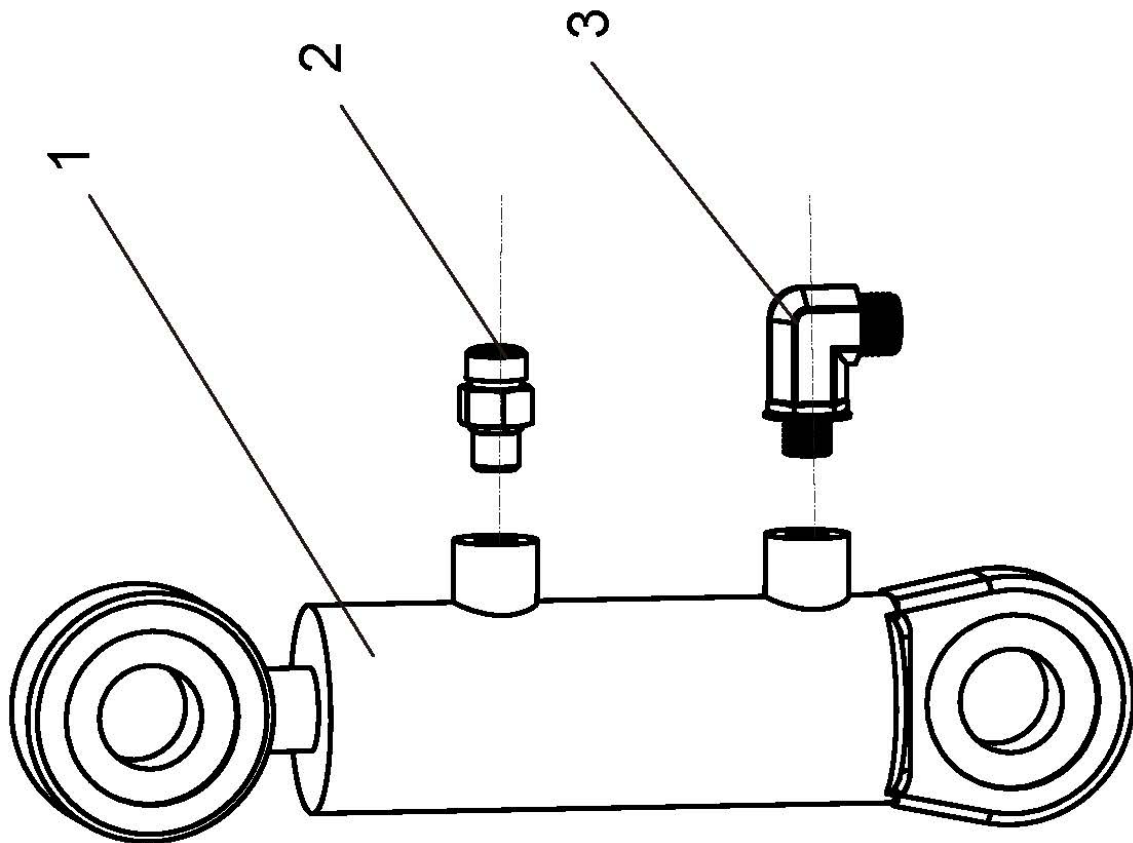
Item	Part No.	Name	Qty	L	SN INFO
1	4812246850	Swinging arm LH	1		
2	4812246950	Roller	1		
3	D936001597	Circlip	2		
4	4812240067	Washer	1		
5	4812246948	Bushing	1		
6	D931500924	Dowel pin	1	A	

Comments for Page: Swinging arm LH

(L)OCAL REMARK

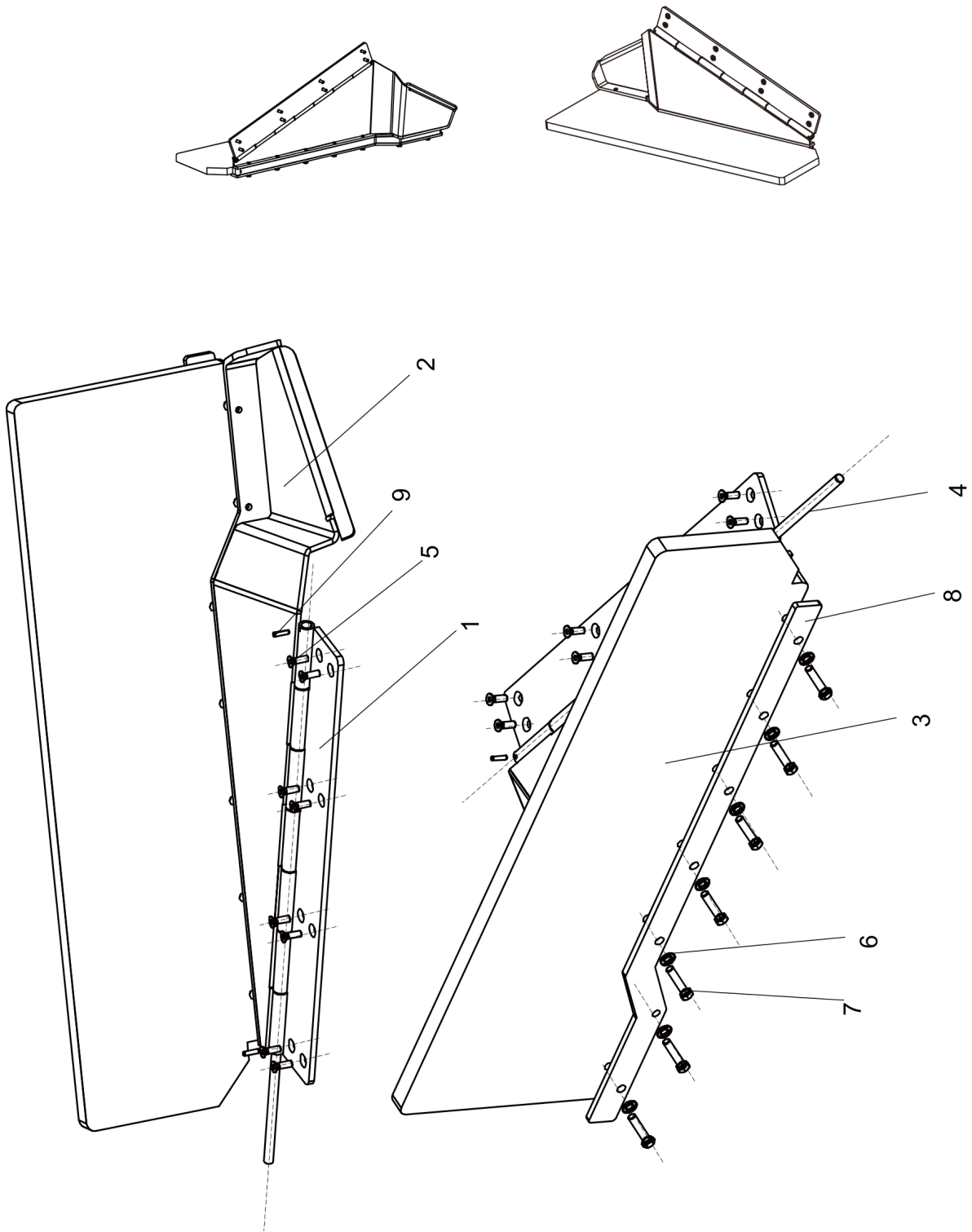
A | Add item D931500924 from >10002133TFC005022<

Hopper assembly, powerd apron (USA) Dam board hydro-cylinder assembly



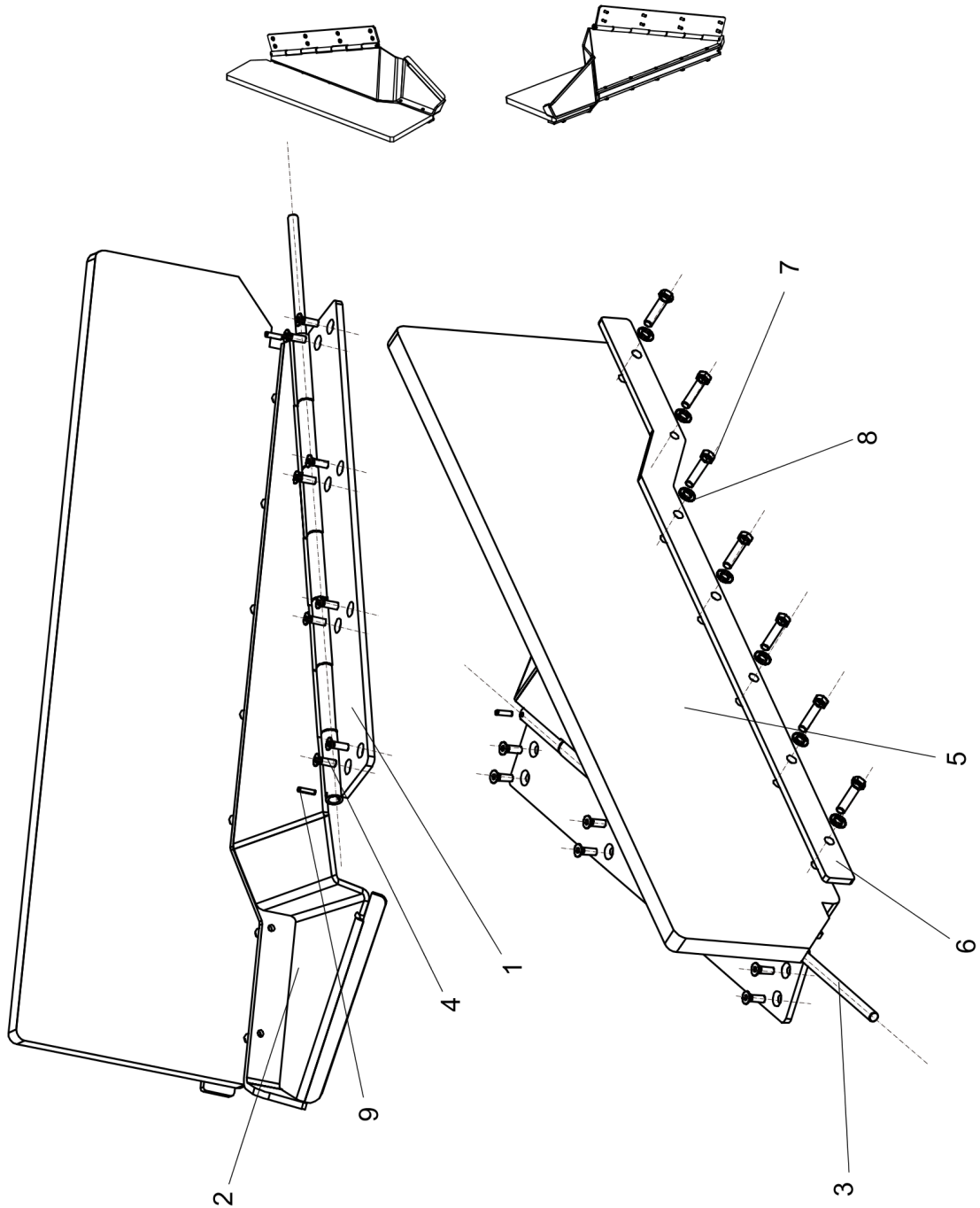
Item	Part No.	Name	Qty	L	SN INFO
1	4812249594	Hydraulic cylinder	1		
01	4812313214	Cylinder seal kit	1		
2	4700791744	Adapter	1		
3	4700792334	Elbow 90 orfs	1		

Hopper assembly, powerd apron (USA) Front hopper LH



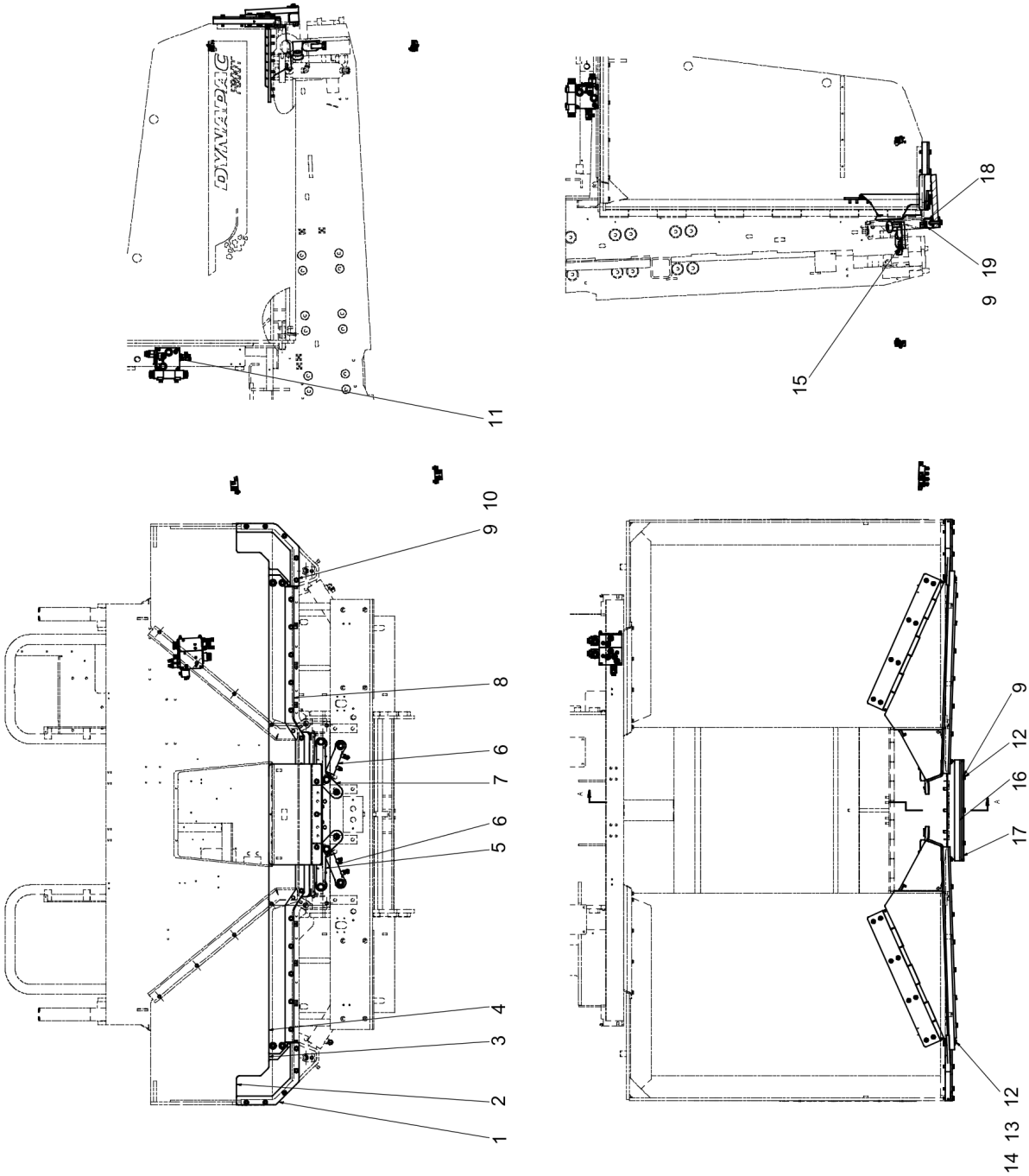
Item	Part No.	Name	Qty	L	SN INFO
1	4812245267	Fixed plate	1		
2	4812245280	Bulk material flap	1		
3	4812246659	Rubber plate	1		
4	4812245271	Pin	1		
5	0216110016	Countersunk screw	8		
6	0301235800	Plain washer 13 x 24 x 2.5	7		
7	0147196069	Screw	7		
8	4812245269	Press plate	1		
9	4812246489	Pin	2		

Hopper assembly, powerd apron (USA) Front hopper RH



Item	Part No.	Name	Qty	L	SN INFO
1	4812245267	Fixed plate	1		
2	4812245272	Bulk material flap	1		
3	4812245271	Pin	1		
4	0216110016	Countersunk screw	8		
5	4812246659	Rubber plate	1		
6	4812245269	Press plate	1		
7	0147196069	Screw	7		
8	0301235800	Plain washer 13 x 24 x 2.5	7		
9	4812246489	Pin	2		

Hopper assembly with powered apron (AUS) 4812249456 Hopper assembly with powered apron (AUS)

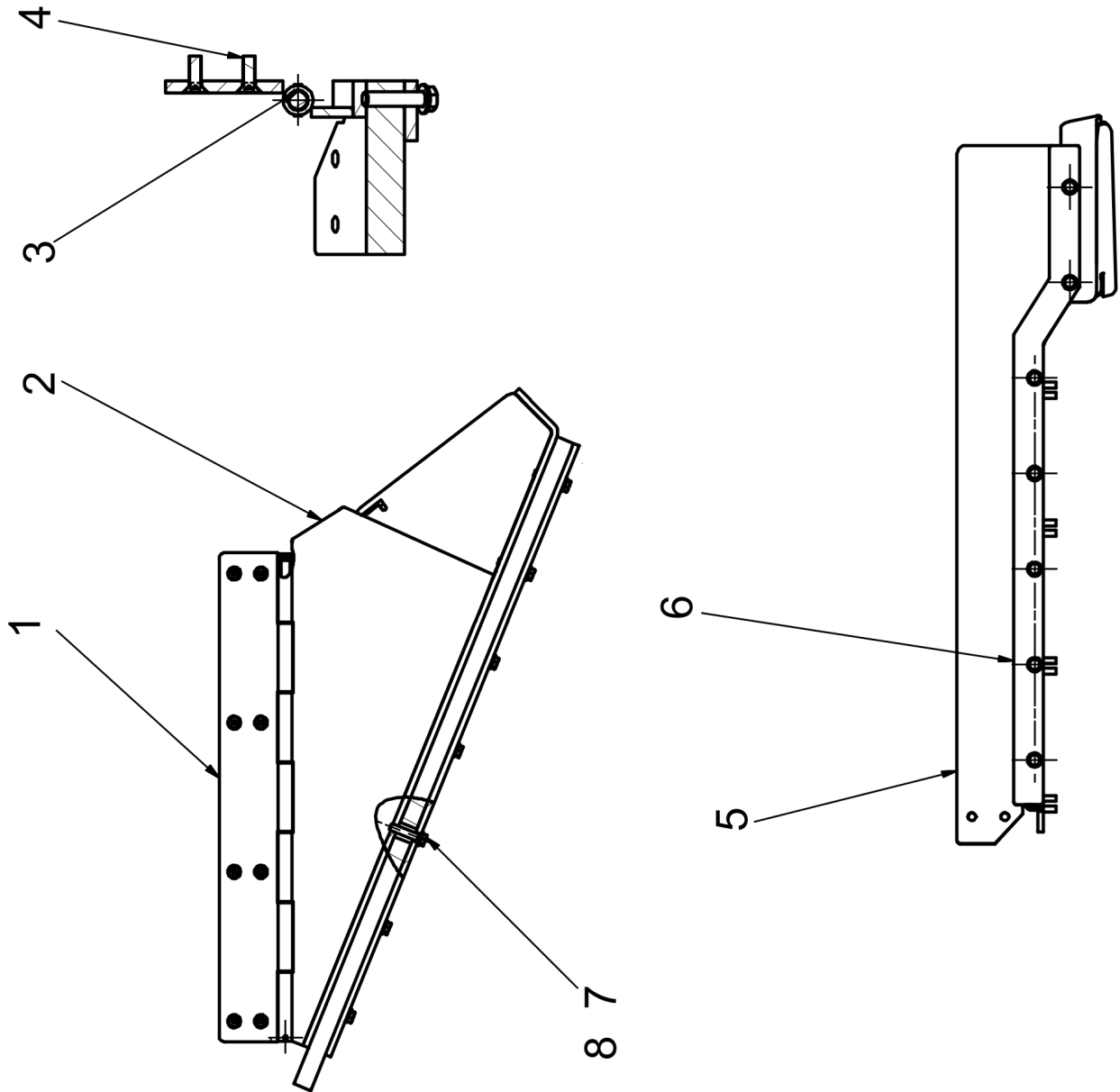


Refer to Parts Online for the most up to date information. The printed information might be outdated.

Wed Oct 21 02:00:35 MDT 2015

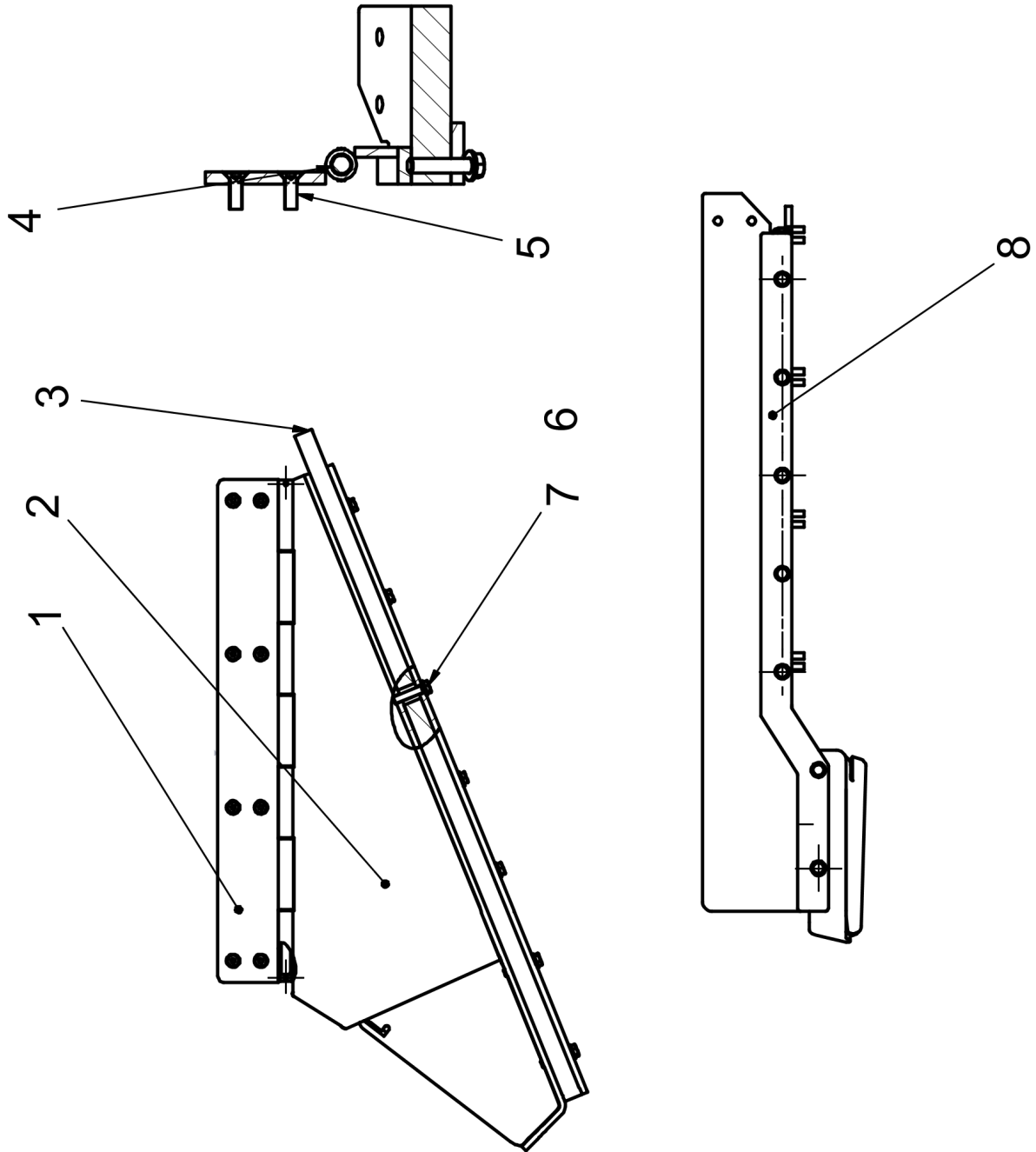
Item	Part No.	Name	Qty	L	SN INFO
1	4812245169	Press plate	2		
2	4812249457	Rubber plate	2		
3	4812204344	Rubber plate	2		
4	4812204628	Front hopper,RH	1		
5	4812246847	Swinging arm RH	1		
6	4812246011	Dam board hydro-cylinder assy	2		
7	4812246848	Swinging arm LH	1		
8	4812204629	Front hopper,LH	1		
9	0301235800	Plain washer 13 x 24 x 2.5	16		
10	0147196069	Screw	10		
11	4812246473	Front plate option hydrl kit	1		
12	0147196424	Hexagon head screw	7		
13	0300013042	Flat washer	8		
14	5730008013	Hexagon nut	4		
15	D936001597	Circlip	2		
16	4812249815	Rubber plate	1		
17	4812249817	Plate	1		
18	4812249819	Extend plate	1		
19	0147140103	Hex head screw M12 x 30	3		

Hopper assembly with powered apron (AUS) 4812204628 Front hopper, RH



Item	Part No.	Name	Qty	L	SN INFO
1	4812245267	Fixed plate	1		
2	4812245272	Bulk material flap	1		
3	4812245271	Pin	1		
4	0216110016	Countersunk screw	8		
5	4812249458	Rubber plate	1		
6	4812245269	Press plate	1		
7	0147196069	Screw	7		
8	0301235800	Plain washer 13 x 24 x 2.5	7		
9	4812246489	Pin	2		

Hopper assembly with powered apron (AUS) 4812204629 Front hopper, LH

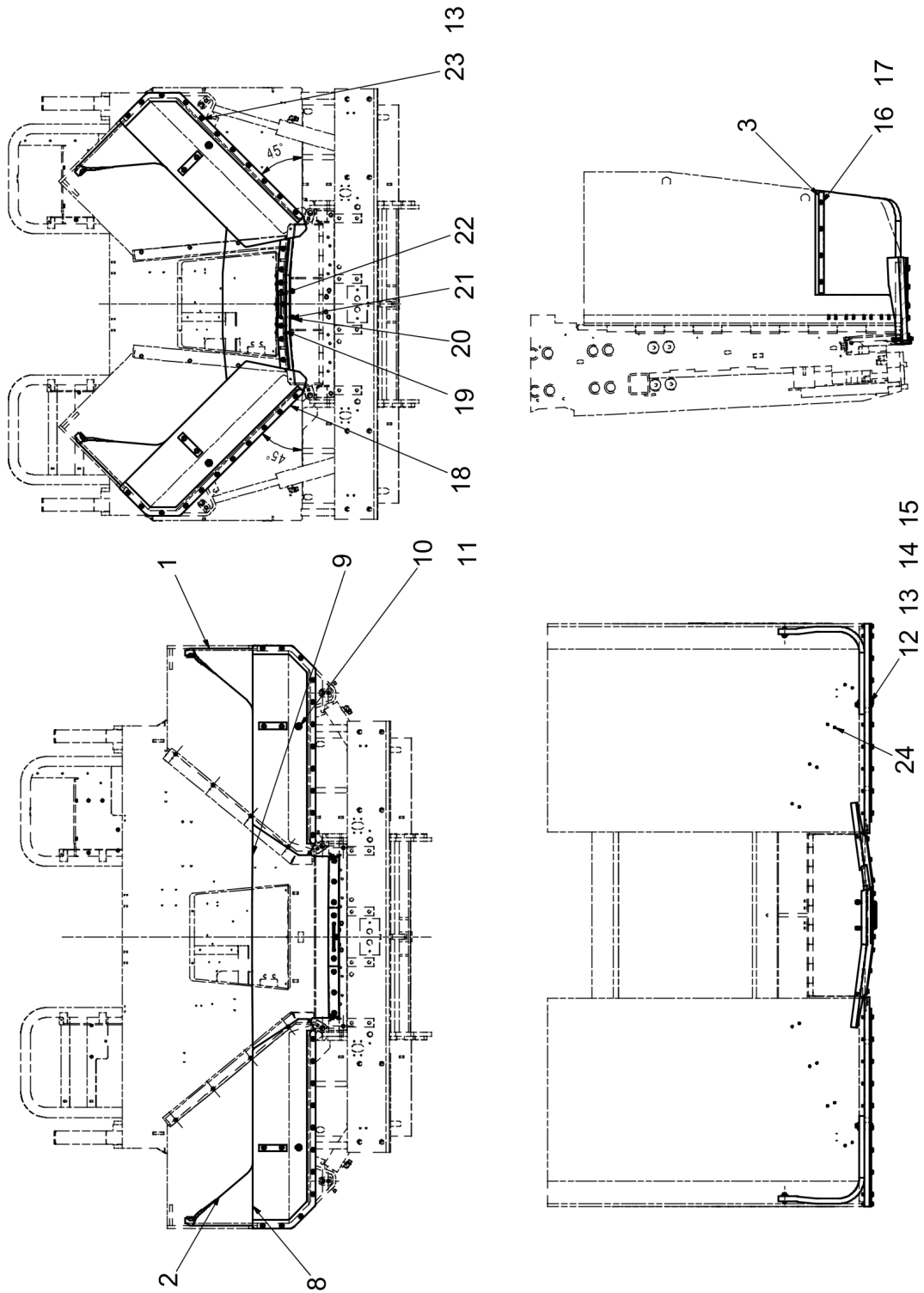


Refer to Parts Online for the most up to date information. The printed information might be outdated.

Wed Oct 21 02:00:36 MDT 2015

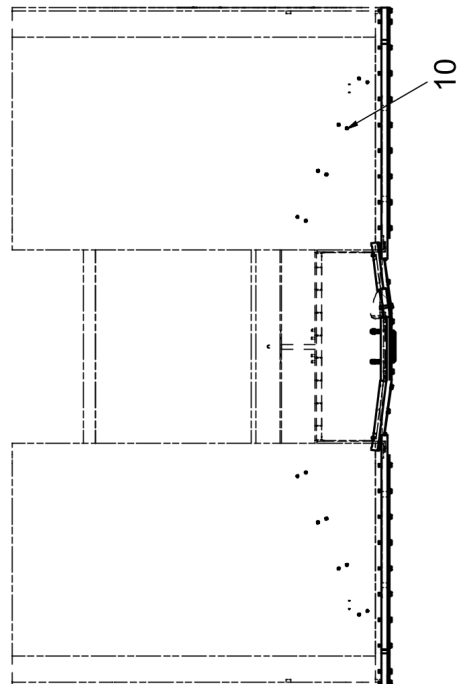
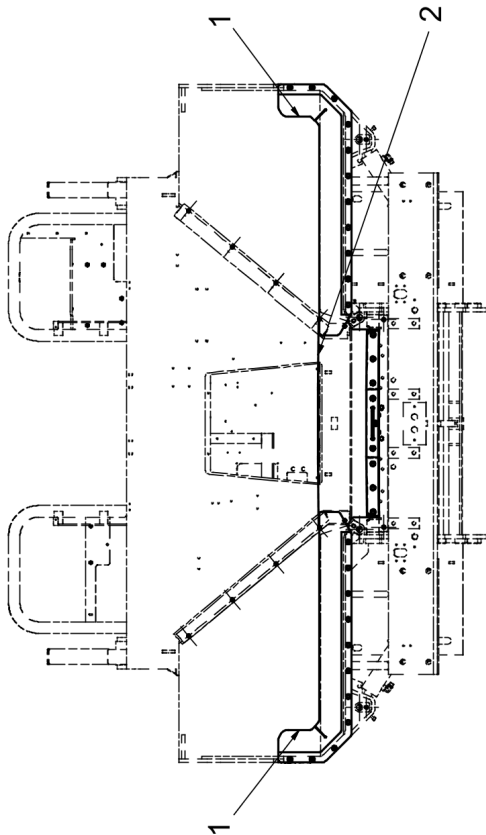
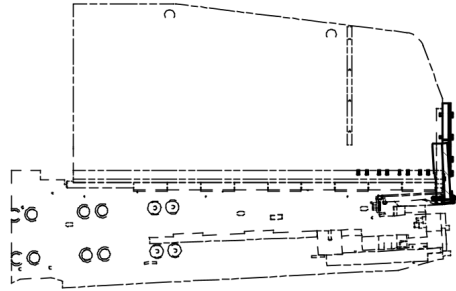
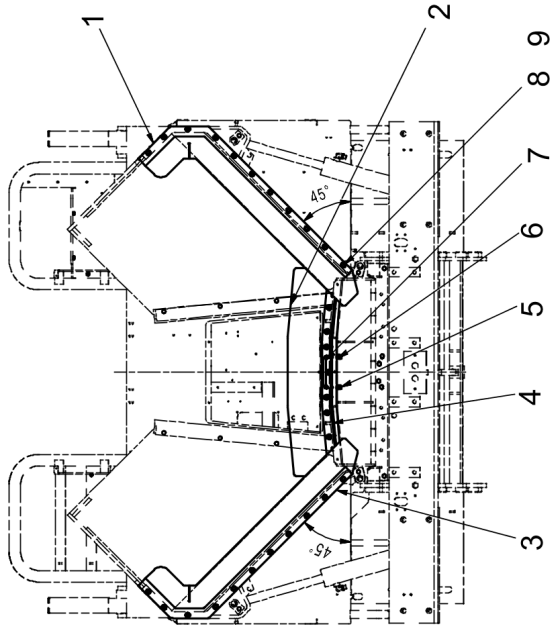
Item	Part No.	Name	Qty	L	SN INFO
1	4812245267	Fixed plate	1		
2	4812245280	Bulk material flap	1		
3	4812249458	Rubber plate	1		
4	4812245271	Pin	1		
5	0216110016	Countersunk screw	8		
6	0301235800	Plain washer 13 x 24 x 2.5	7		
7	0147196069	Screw	7		
8	4812245269	Press plate	1		
9	4812246489	Pin	2		

Hopper skirt Hopper assembly skirt rubber



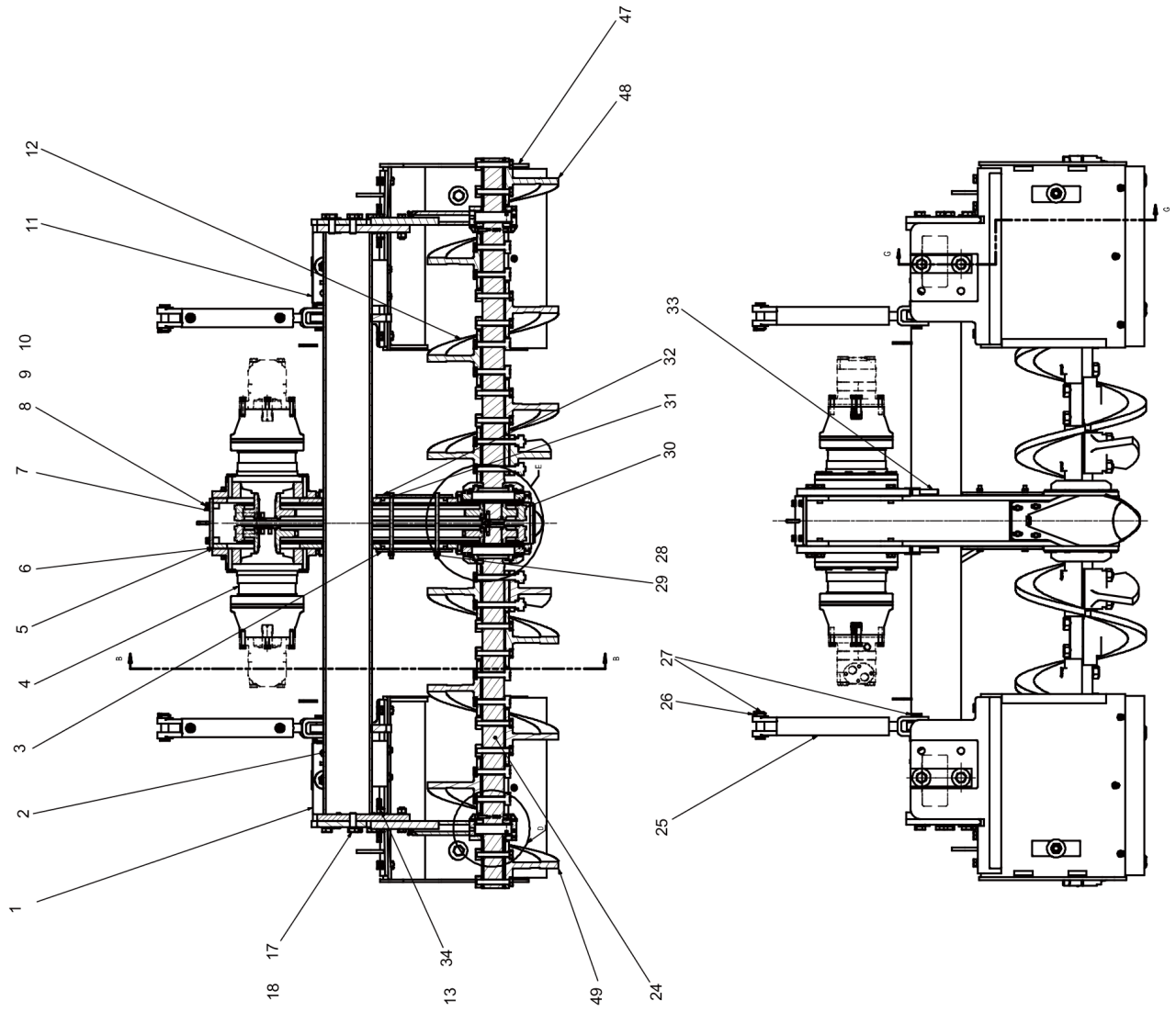
Item	Part No.	Name	Qty	L	SN INFO
1	4812247573	Skirt rubber plate, LH	1		
2	4812247614	Skirt rubber plate, RH	1		
3	4812247539	Pressing plate	2		
8	4812246657	Rubber plate	2		
9	4812246658	Rubber plate	1		
10	0147141112	Hexagon head screw	2		
11	0300013042	Flat washer	4		
12	4812204190	Press plate	4		
13	0301235800	Plain washer 13 x 24 x 2.5	39		
14	0147110904	Hexagon head screw	4		
15	5730008013	Hexagon nut	6		
16	0147136703	Hex. Head screw	8		
17	D939776115	Washer	8		
18	4812246362	Press plate	2		
19	4812246396	Press plate	1		
20	0291112822	Locknut	2		
21	4812240793	Spring	2		
22	4812245186	Handle	1		
23	0147196069	Screw	31		
24	4812246388	Screw	16		

Hopper skirt Hopper assembly short rubber



Item	Part No.	Name	Qty	L	SN INFO
1	4812246363	Rubber plate	2		
2	4812246369	Rubber plate	1		
3	4812246362	Press plate	2		
4	4812246396	Press plate	1		
5	0291112822	Locknut	2		
6	4812240793	Spring	2		
7	4812245186	Handle	1		
8	0147196069	Screw	31		
9	0301235800	Plain washer 13 x 24 x 2.5	31		
10	4812246388	Screw	16		

4812243302 Auger assembly, 8' paver Auger assembly



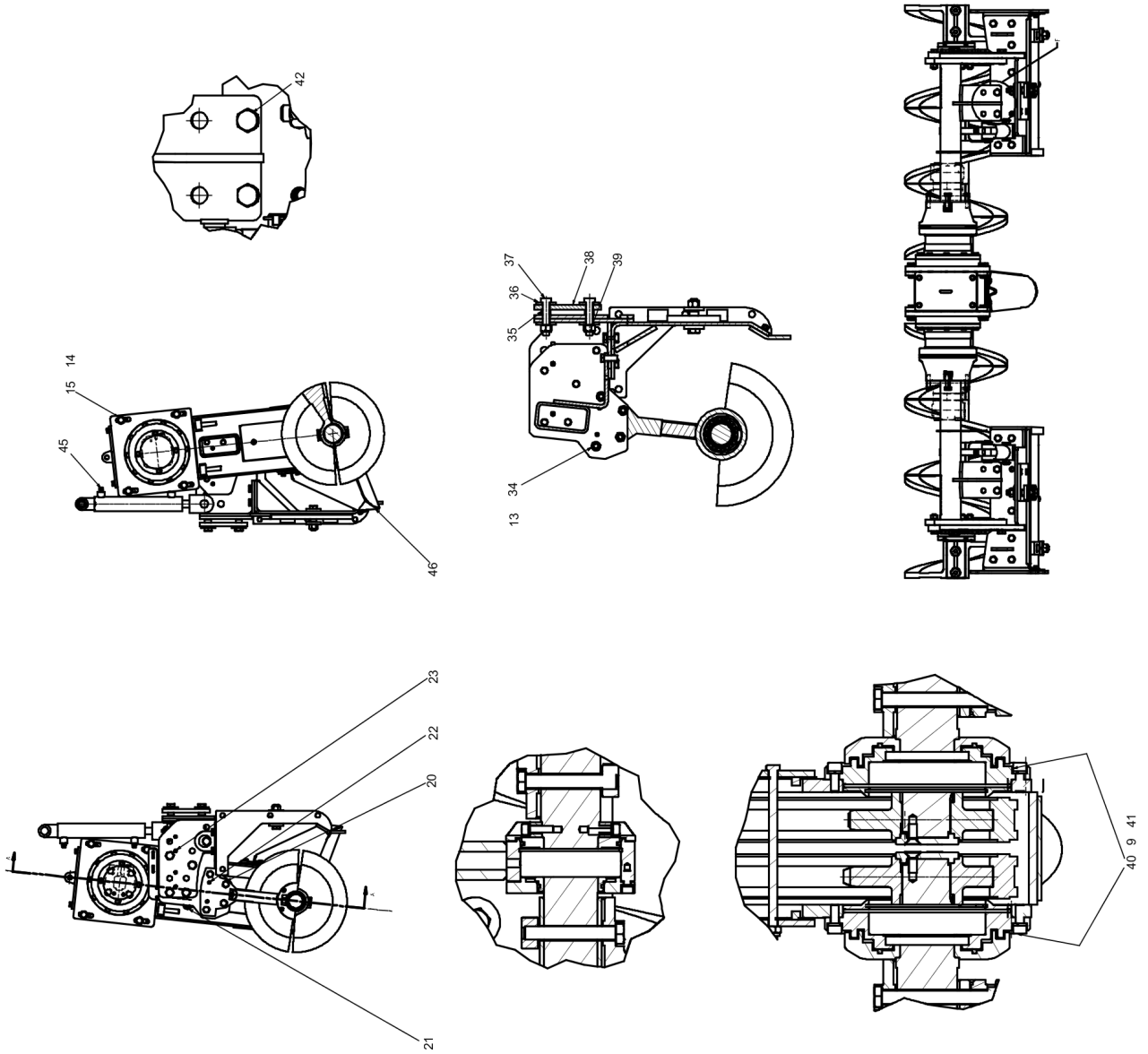
Refer to Parts Online for the most up to date information. The printed information might be outdated.

Wed Oct 21 02:00:39 MDT 2015

Item	Part No.	Name	Qty	L	SN INFO
1	4812246719	Sprocket box suspension left	1		
2	4812244452	Adjusting sprocket box	1		
3	4812240302	Side cover	1		
4	4812243498	Auger drive	2		
5	4812240300	Sealing	2		
6	4812240299	Sealing	1		
7	4812240303	Auger cover	1		
8	5730015196	Hexagon head screw	4		
9	4812240226	Washer	24		
10	0301234400	Plain washer M10.5/22	4		
11	4812246720	Sprocket box suspension right	1		
12	4812246513	Basic auger blade	1		
13	4749901809	Schnorr-lock washer	12		
14	0147147903	Hex head screw	8		
15	D939776124	Washer	8		
17	0147155103	Screw din933	10		
18	4749901853	Washer	10		
20	5540204700	Hexagon head screw	8		
21	4812240526	Oil scale	1		
22	4812240304	Pin	4		
23	0108142500	Dowel pin	4		
24	4812247058	Main auger bearing	2		
25	4812249000	Auger lift cylinder	2		
01	4812313217	4812249000 seal kit	1		
26	D930290084	Safety pin	4		
27	4812223834	Pin, cylinder	4		
28	4812246397	Bolt	2		
29	0291112820	Locknut	2		
30	4812240287	Chain	2		
31	4812248053	Sealing gasket	2		
32	4812240301	Side cover with oil pointer	1		
33	0196155317	Threaded pin	4		
34	5730007616	Hexagon nut	8		
35	4812246732	Sleeve	4		
36	4812243527	Washer	8		
37	5540165300	Hexagon head screw	4		
38	4812243526	Plate	2		

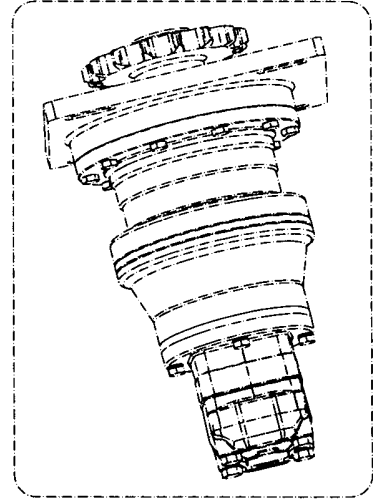
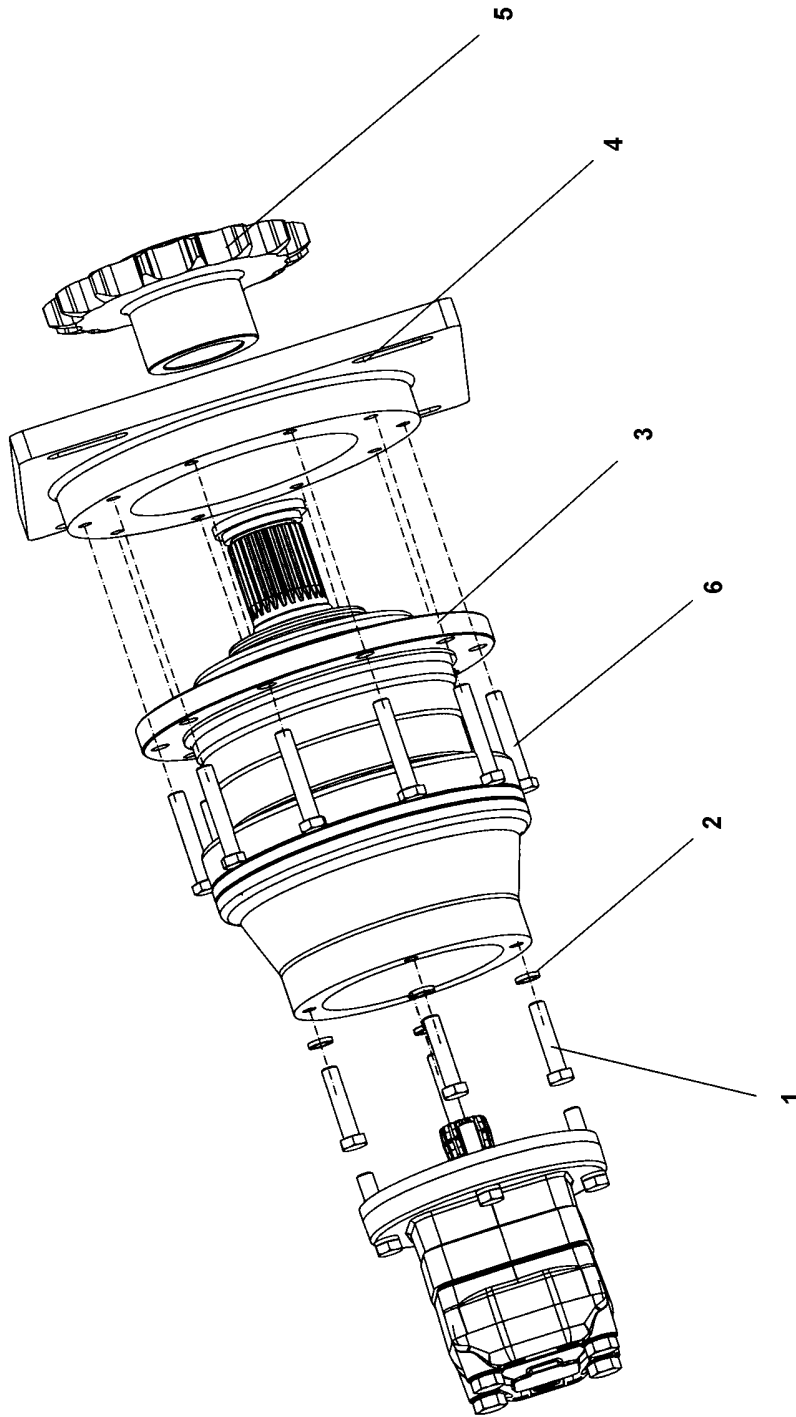
Refer to Parts Online for the most up to date information. The printed information might be outdated.

Wed Oct 21 02:00:39 MDT 2015



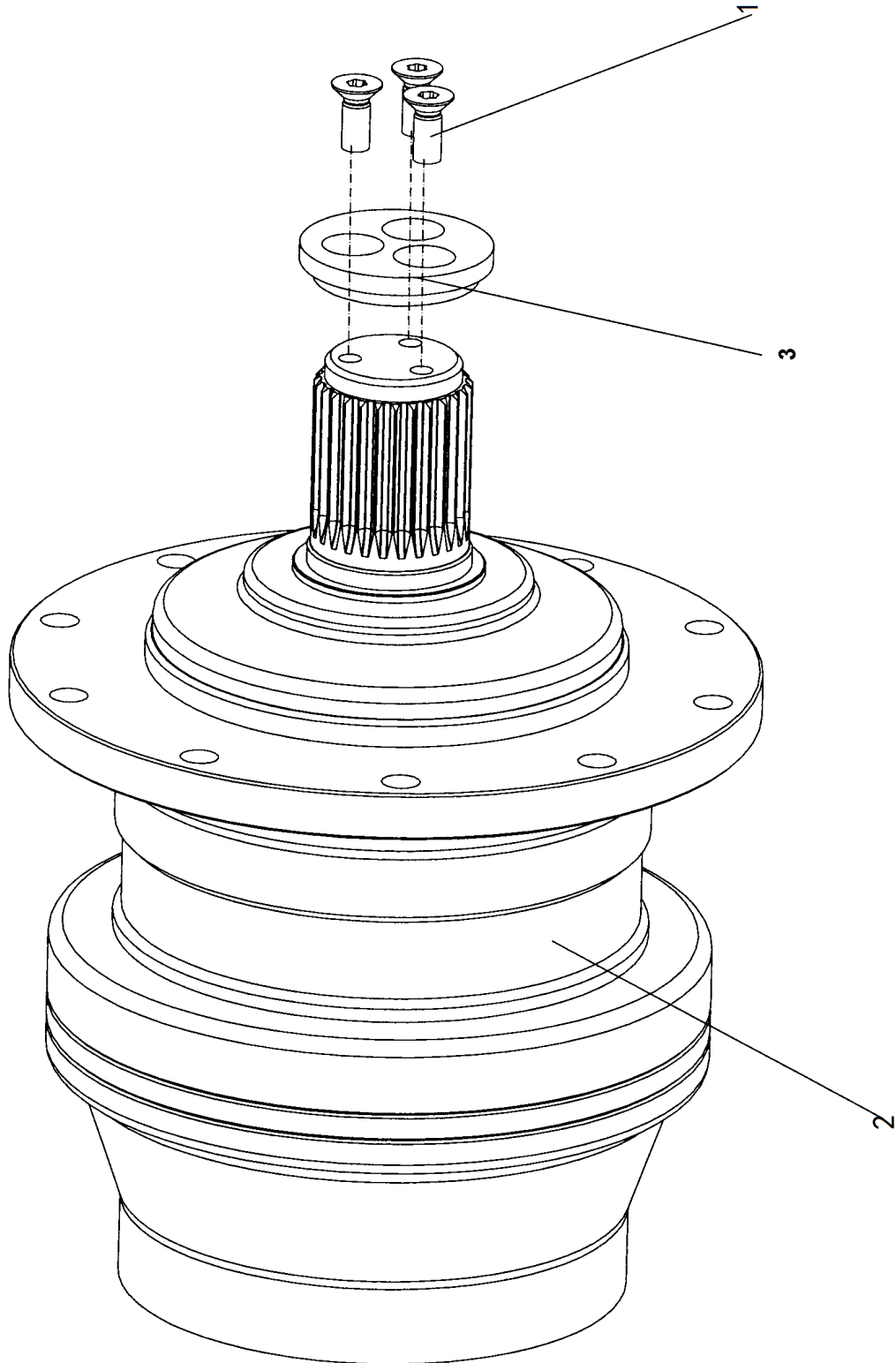
Item	Part No.	Name	Qty	L	SN INFO
39	5730007674	Hexagon nut	4		
40	0211136203	Screw DIN912	20		
41	4812043214	Glue x l	0.00 1		
42	0147147703	Hex head screw M16 x 40	4		
43		Oil	2.5		
44	4812041189	Lubrication oil	1		
45	4700791744	Adapter	4		
46	4812246230	Prevent segregation device	1		
47	4812244605	Backplate assembly	1		
48	4812203041	Right extent auger 430-154 assembly	1		
49	4812203040	Left extent auger 430-154 assembly	1		

4812243302 Auger assembly, 8' paver Auger drive assembly



Item	Part No.	Name	Qty	L	SN INFO
1	0147196101	Hex. head screw	4		
2	4812240197	Washer	4		
3		Gear box	1		
4	4812243505	Junction plate	1		
5	4812243499	Up sprocket	1		
6	D938150770	Hex. screw	10		

4812243302 Auger assembly, 8' paver Gear box

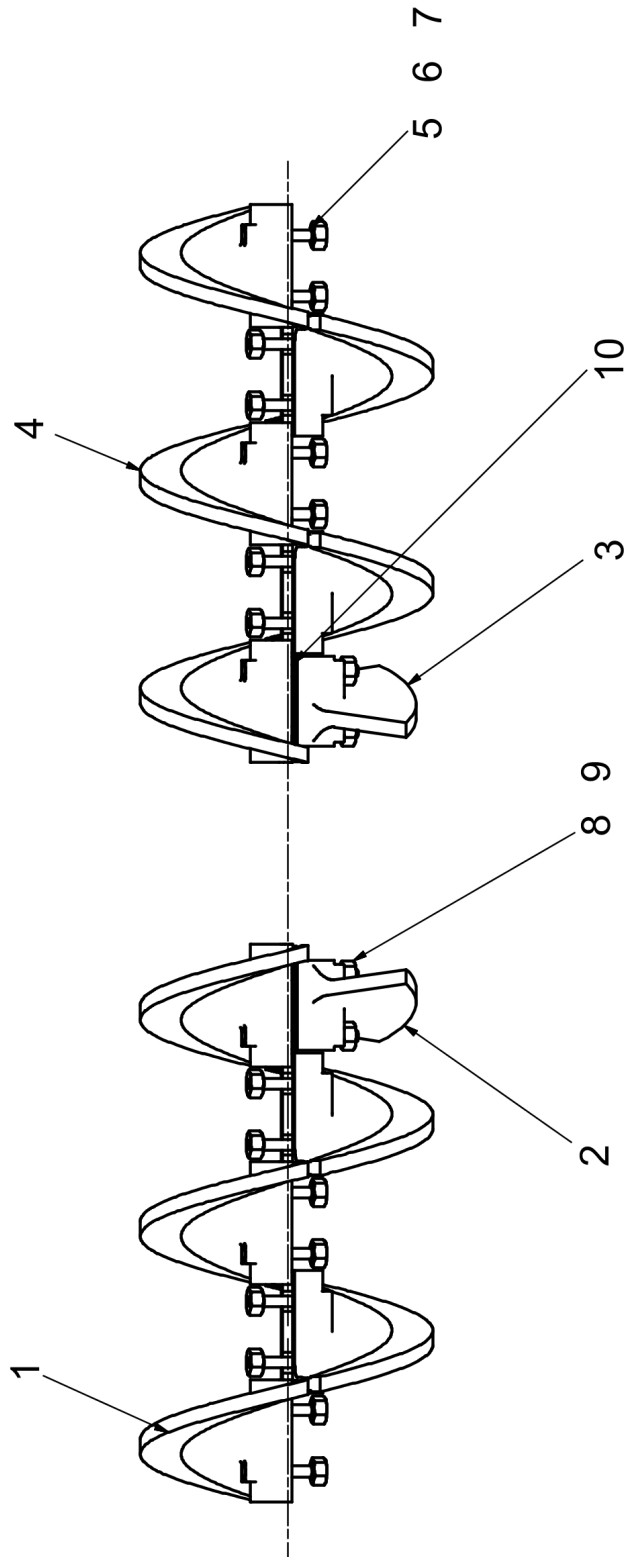


Refer to Parts Online for the most up to date information. The printed information might be outdated.

Wed Oct 21 02:00:40 MDT 2015

Item	Part No.	Name	Qty	L	SN INFO
1	0216195773	Countersunk screw	3		
2	4812243496	Gear box	1		
3	4812243994	Reducer side plate	1		

4812243302 Auger assembly, 8' paver 4812246513 Basic auger blade

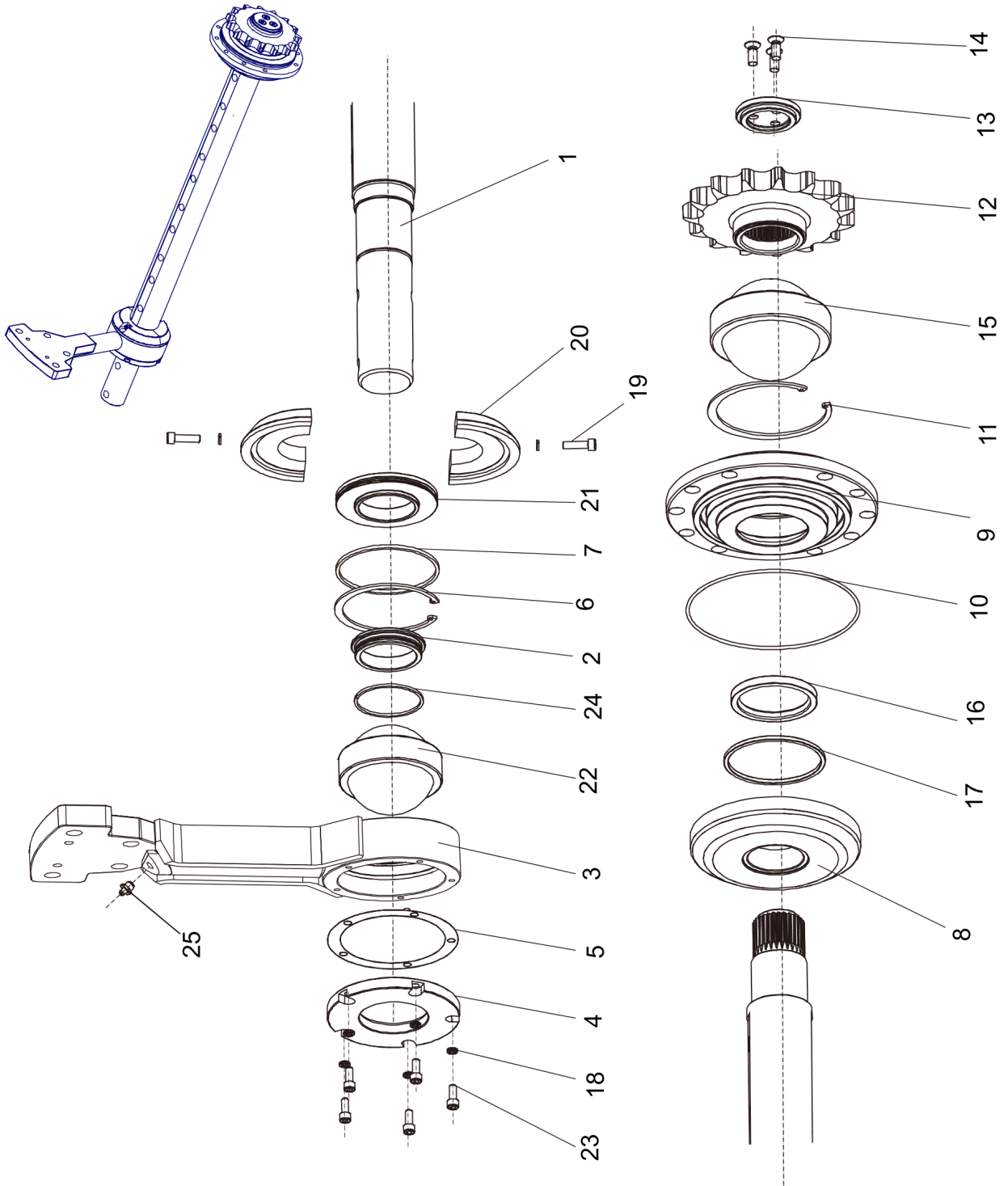


Refer to Parts Online for the most up to date information. The printed information might be outdated.

Wed Oct 21 02:00:41 MDT 2015

Item	Part No.	Name	Qty	L	SN INFO
1	4812243446	Half auger 430-180 left	5		
2	4812247883	Special auger, right 380MM	1		
3	4812247882	Special auger, left 380MM	1		
4	4812243447	Half snail right, 430mm	5		
5	0333310042	Schnorr-lock washer	16		
6	4749901556	Nut	16		
7	0147149103	Hex. head screw	16		
8	4812043214	Glue x l	0.00 1		
9	0147195899	Screw m16x150	4		
10	4812249965	Nut	4		
11	4812249995	Half sleeve	2		

4812243302 Auger assembly, 8' paver Main auger bearing



Refer to Parts Online for the most up to date information. The printed information might be outdated.

Wed Oct 21 02:00:41 MDT 2015

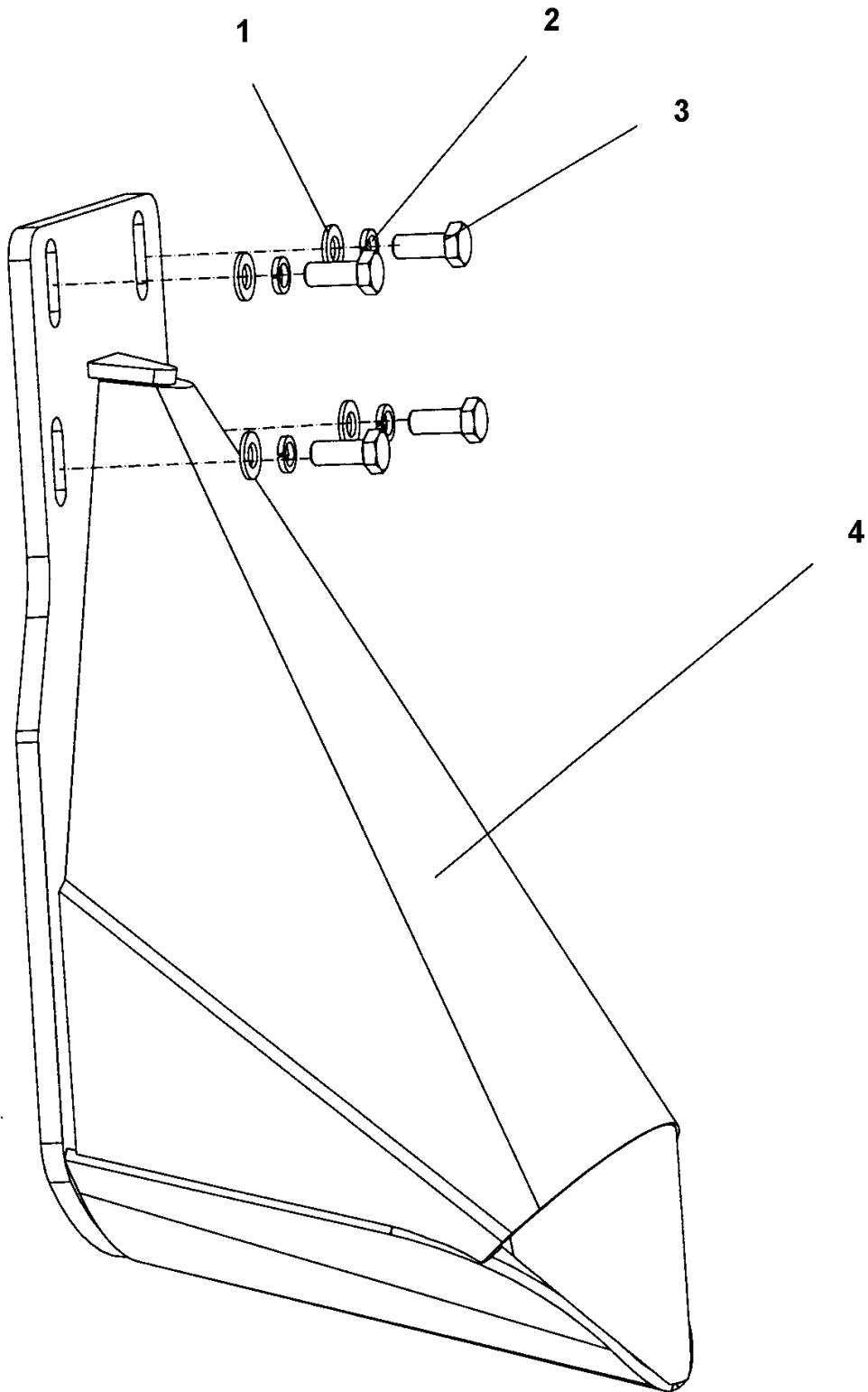
Item	Part No.	Name	Qty	L	SN INFO
1	4812247053	Shaft	1		
2	4812246301	Sleeve	1		
3	4812246303	Bearing retainer	1		
4	4812246302	Bearing cap	1		
5	4812246283	Sealing	1		
6	4812240178	Circlip	1		
7	4812240135	Sealing	1		
8	4812240316	Bearing cover	1		
9	4812240314	Bearing flange	1		
10	4812240309	O-ring	1		
11	4812240310	Circlip	1		
12	4812240312	Sprocket	1		
13	4812240315	Cover plate	1		
14	0216195773	Countersunk screw	3		
15	4812240392	Bearing	1		
16	4812240308	Sealing	1		
17	4812240313	Wear ring	1		
18	4812240307	Washer	7		
19	0211132603	Hexagon socket head cap screw	2		
20	4812246299	Bearing cap up	2		
21	4812246300	Bearing cap	1		
22	4812240177	Bearing	1		
23	0211132303	Hex sock screw	5		
24	4812246286	Sealing	1		
25	4812240234	Grease nipple	1		
26	4812040894	Grease	0.12		

4812243302 Auger assembly, 8' paver Lubracation oil

NO EXPLODED VIEW
AVAILABLE
FOR THIS BOM

Item	Part No.	Name	Qty	L	SN INFO
1	D956921601	Lubracation oil	0		
2	4812041191	Lubracation oil	0		

4812243302 Auger assembly, 8' paver Prevent segregation device

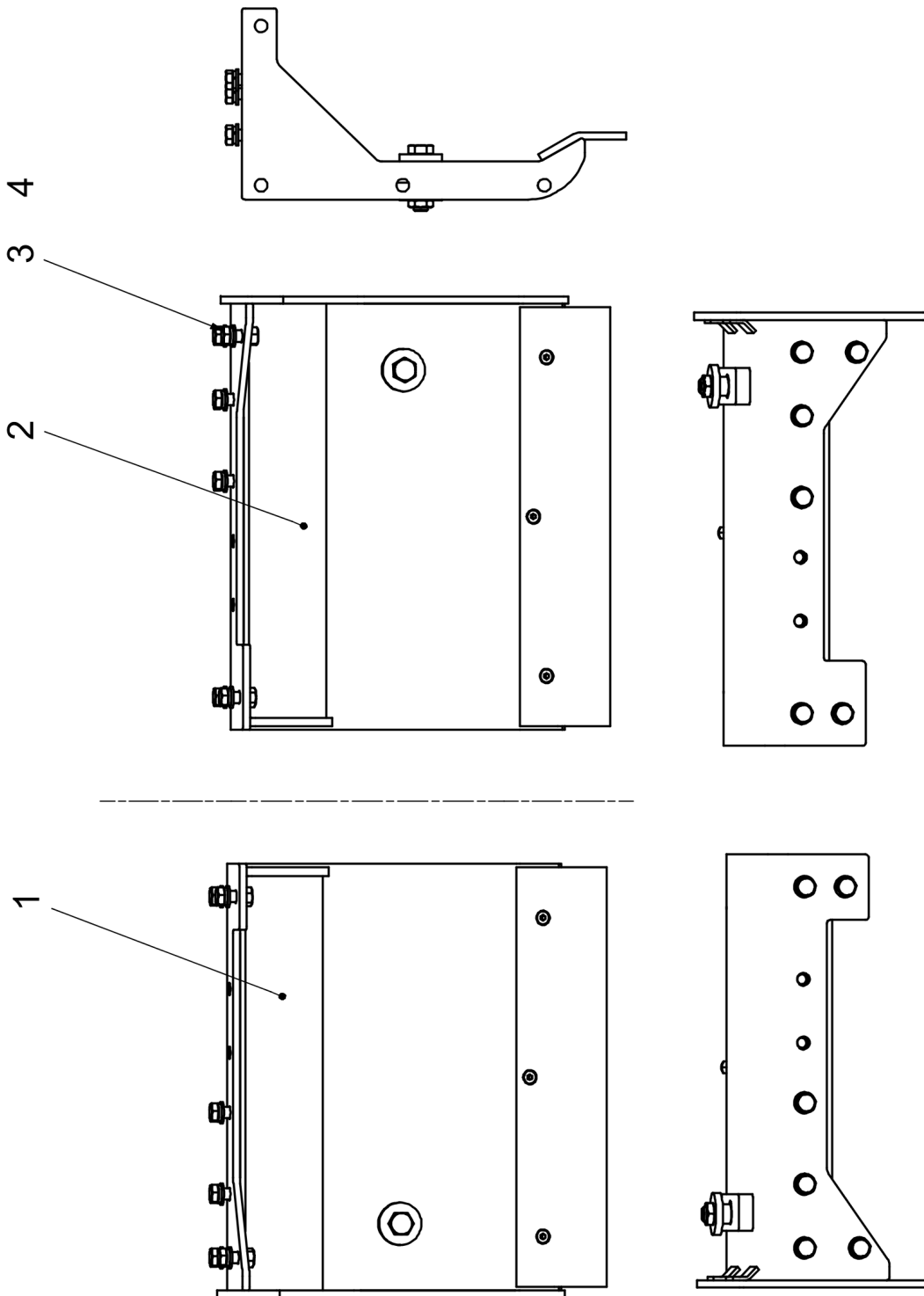


Refer to Parts Online for the most up to date information. The printed information might be outdated.

Wed Oct 21 02:00:42 MDT 2015

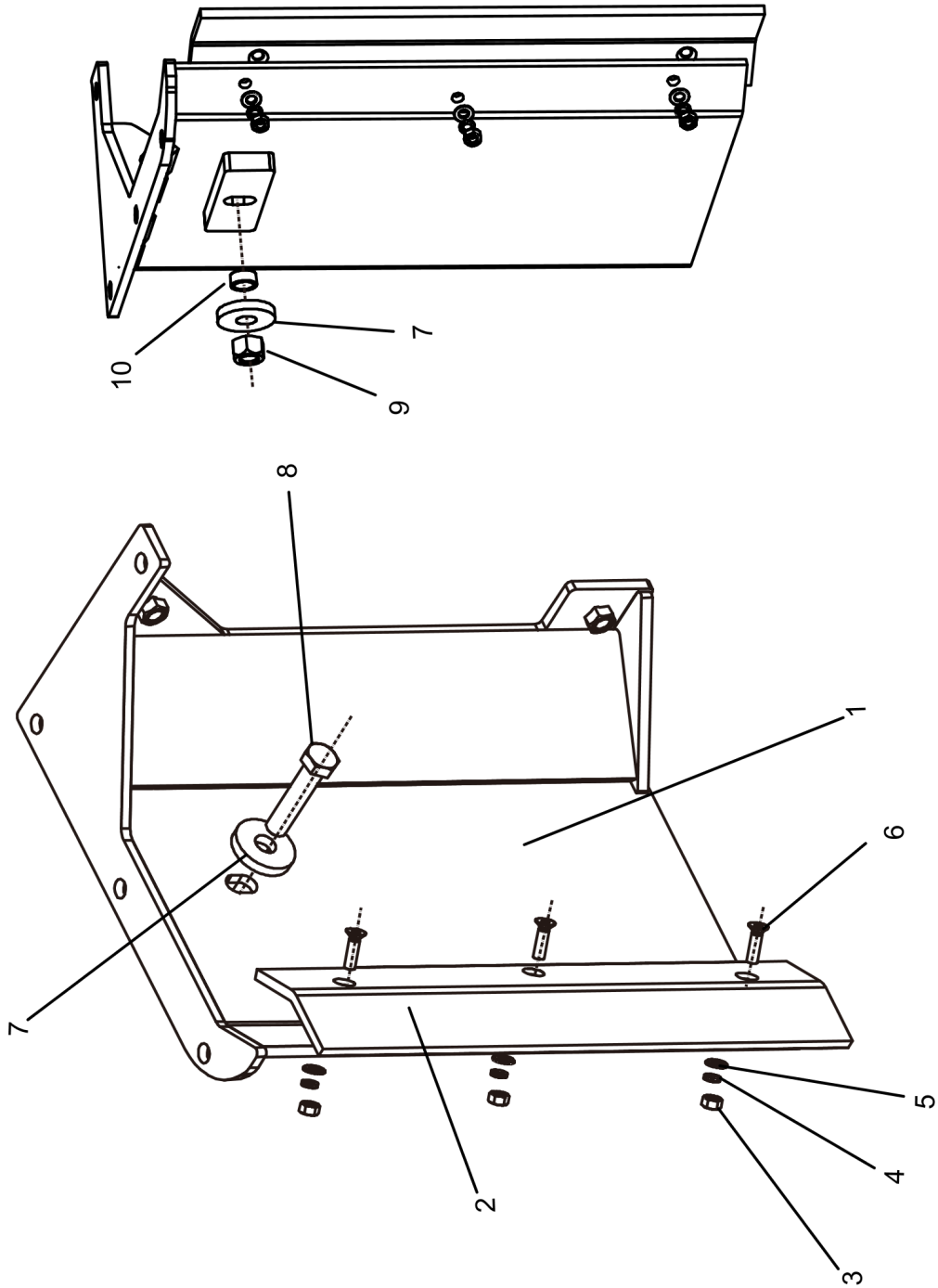
Item	Part No.	Name	Qty	L	SN INFO
1	0301233500	Washer DIN125	4		
2	4812240307	Washer	4		
3	0147132303	Screw DIN933	4		
4	4812246229	Prevent segregation device	1		

4812243302 Auger assembly, 8' paver Base backplate assembly



Item	Part No.	Name	Qty	L	SN INFO
1		Left main support assembly	1		
2		Right main support assembly	1		
3	0147147603	Hex. head screw M16 x 35	12		
4	4749901809	Schnorr-lock washer	12		

4812243302 Auger assembly, 8' paver Left main support assembly

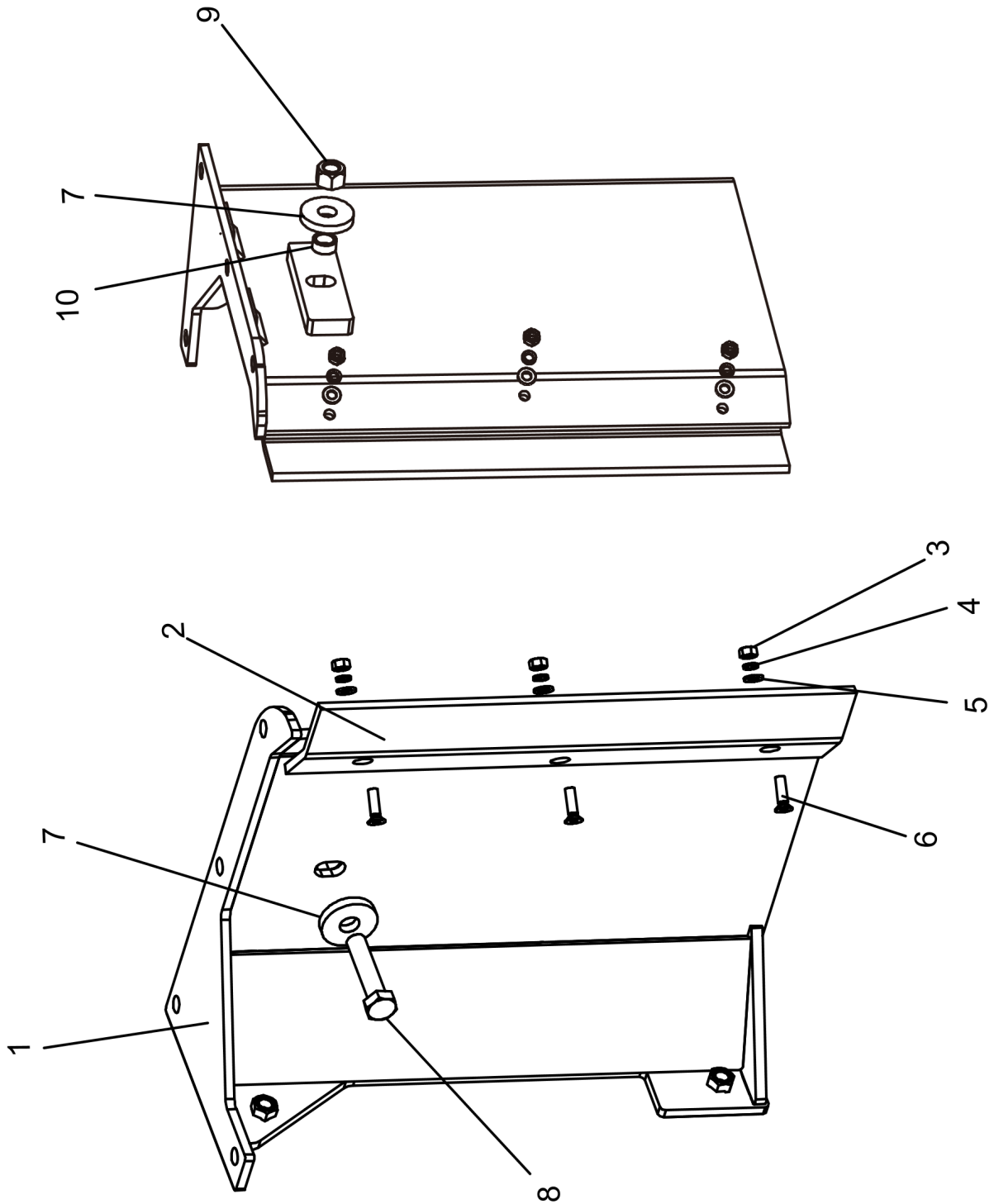


Refer to Parts Online for the most up to date information. The printed information might be outdated.

Wed Oct 21 02:00:43 MDT 2015

Item	Part No.	Name	Qty	L	SN INFO
1	4812246725	Left main support weldment	1		
2	4812246730	Protection board	1		
3	0266211100	Hexagon nut	3		
4	4812240226	Washer	3		
5	0301234400	Plain washer M10.5/22	3		
6	3370044501	Countersunk screw	3		
7	4812243710	Washer	2		
8	4812223294	Hexagon bolt	1		
9	5730007674	Hexagon nut	1		
10	4812246732	Sleeve	1		

4812243302 Auger assembly, 8' paver Right main support assembly

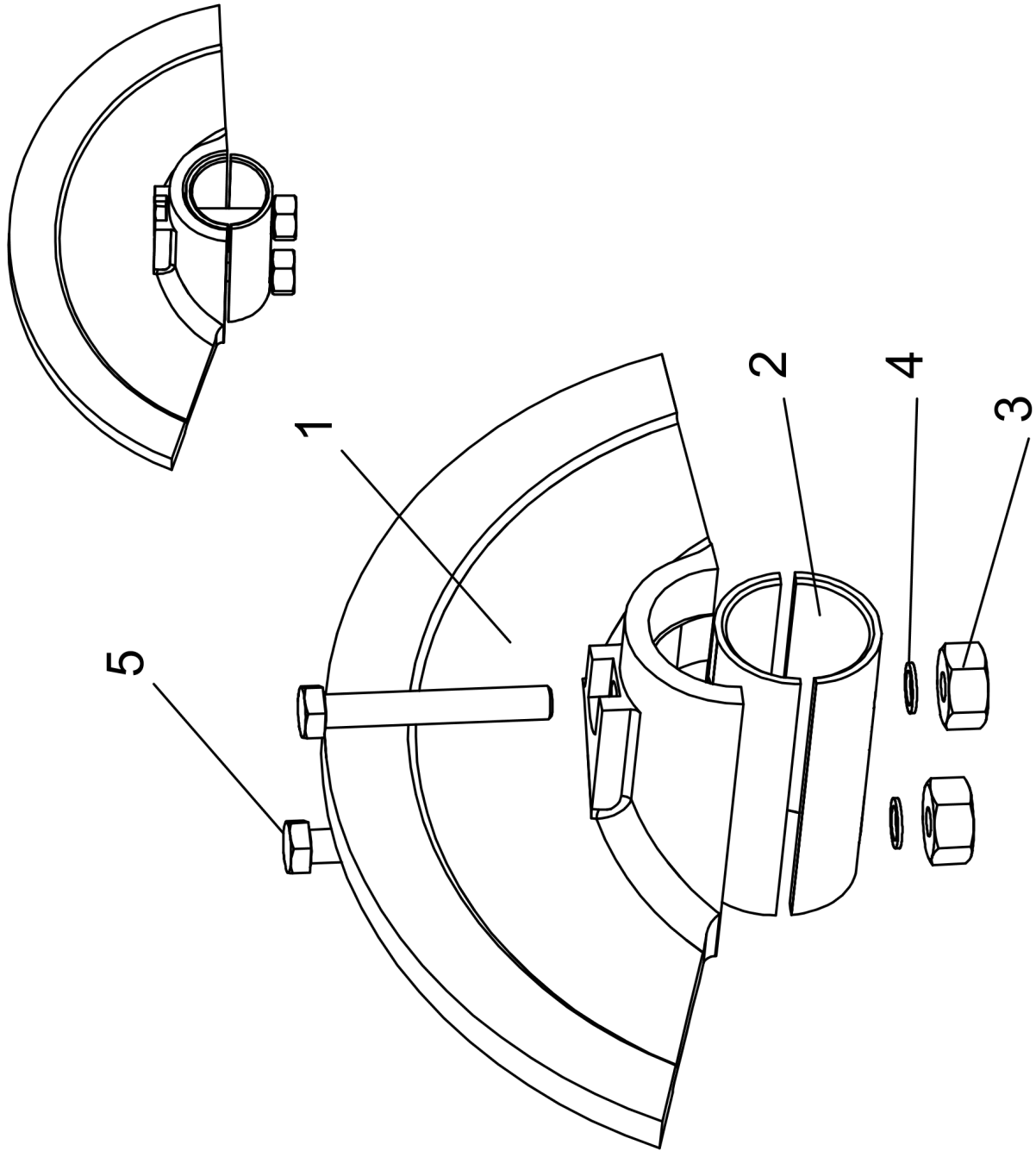


Refer to Parts Online for the most up to date information. The printed information might be outdated.

Wed Oct 21 02:00:43 MDT 2015

Item	Part No.	Name	Qty	L	SN INFO
1	4812246726	Right main support weldment	1		
2	4812246730	Protection board	1		
3	0266211100	Hexagon nut	3		
4	4812240226	Washer	3		
5	0301234400	Plain washer M10.5/22	3		
6	3370044501	Countersunk screw	3		
7	4812243710	Washer	2		
8	4812223294	Hexagon bolt	1		
9	5730007674	Hexagon nut	1		
10	4812246732	Sleeve	1		

4812243302 Auger assembly, 8' paver 4812203041 Right extend auger

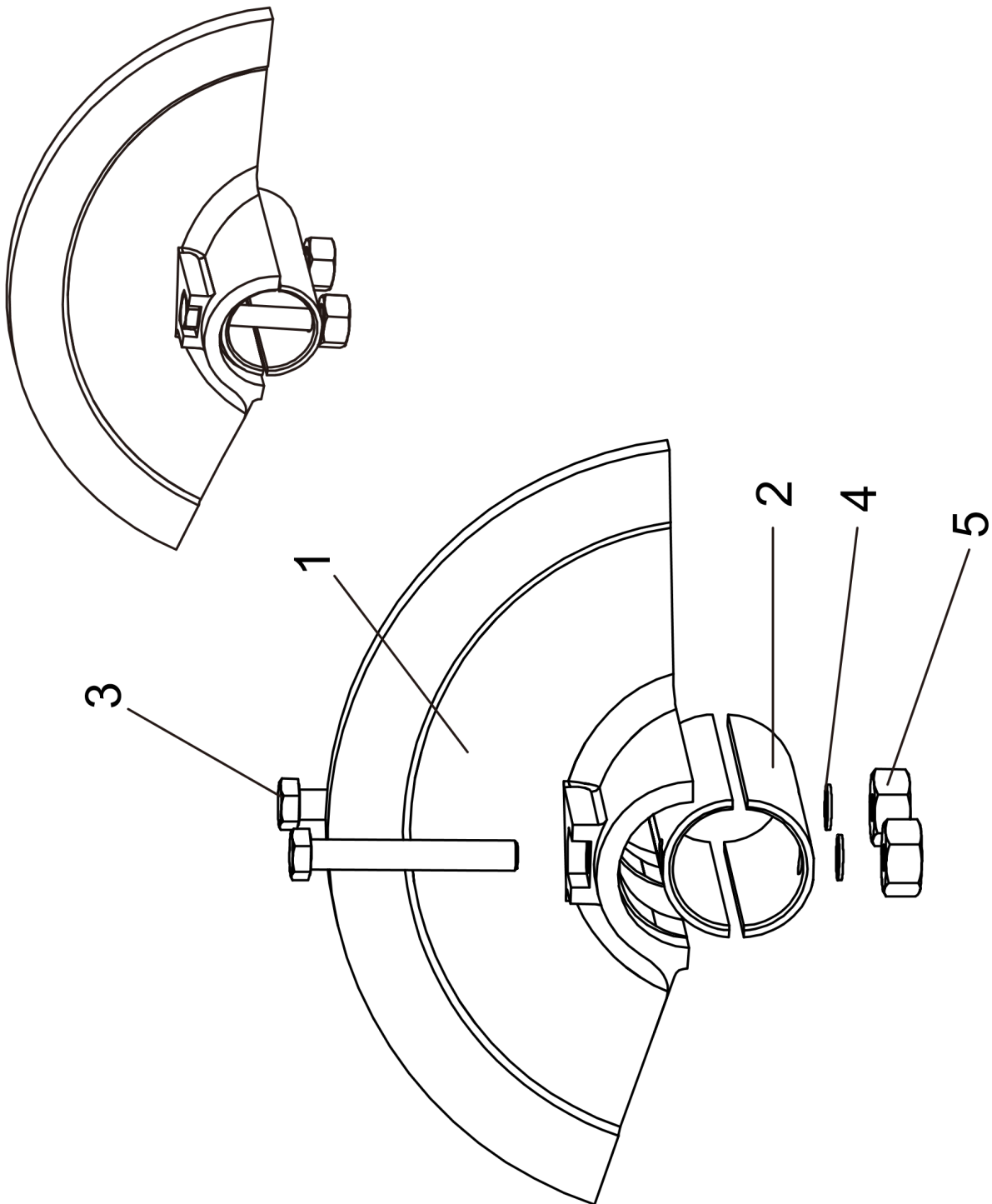


Refer to Parts Online for the most up to date information. The printed information might be outdated.

Wed Oct 21 02:00:44 MDT 2015

Item	Part No.	Name	Qty	L	SN INFO
1	4812203325	Right auger flight 430-154	1		
2	4812203211	Sleeve	2		
3	4749901556	Nut	2		
4	0333310042	Schnorr-lock washer	2		
5	0147149103	Hex. head screw	2		

4812243302 Auger assembly, 8' paver 4812203040 Left extend auger 430-154

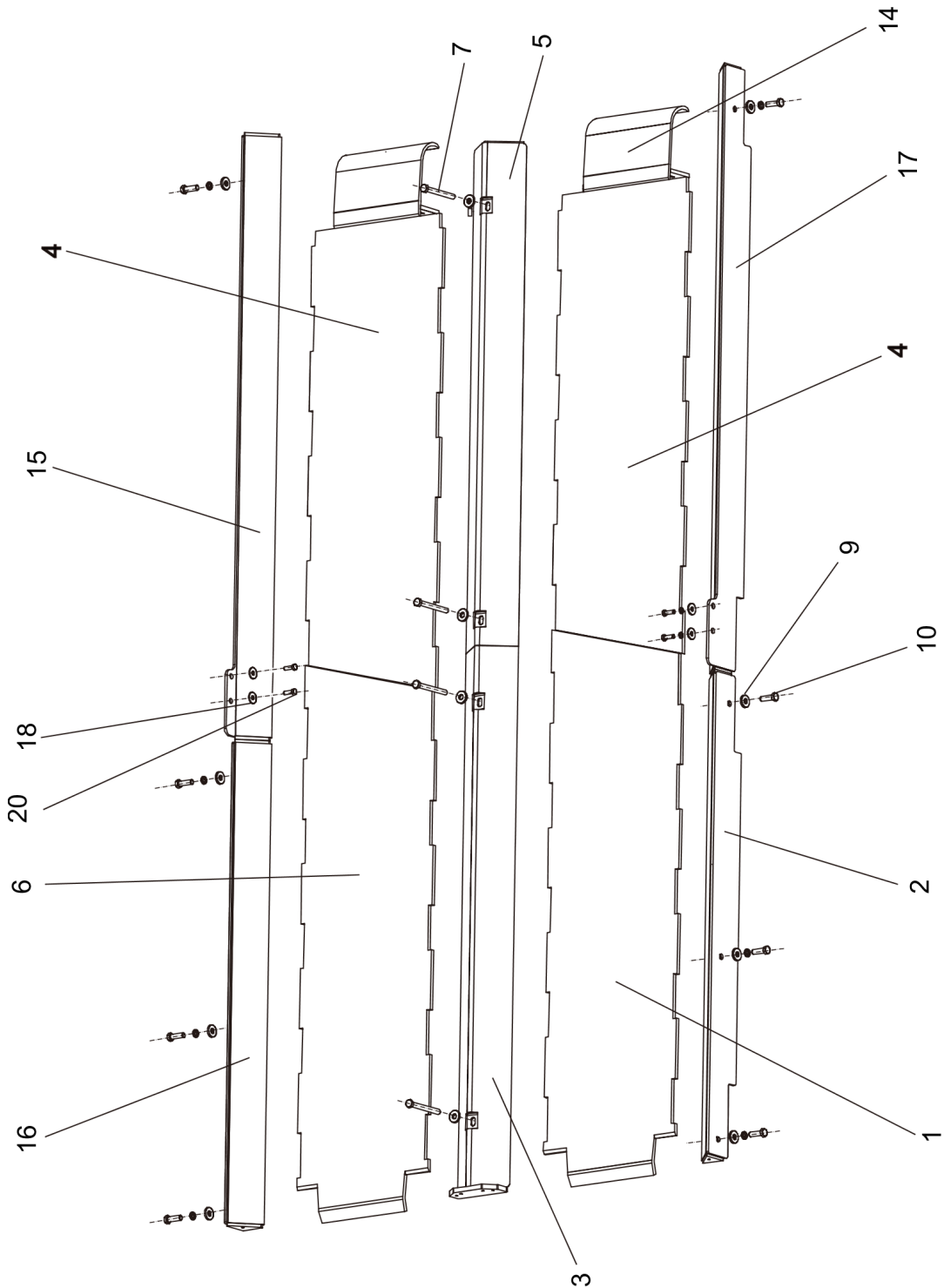


Refer to Parts Online for the most up to date information. The printed information might be outdated.

Wed Oct 21 02:00:44 MDT 2015

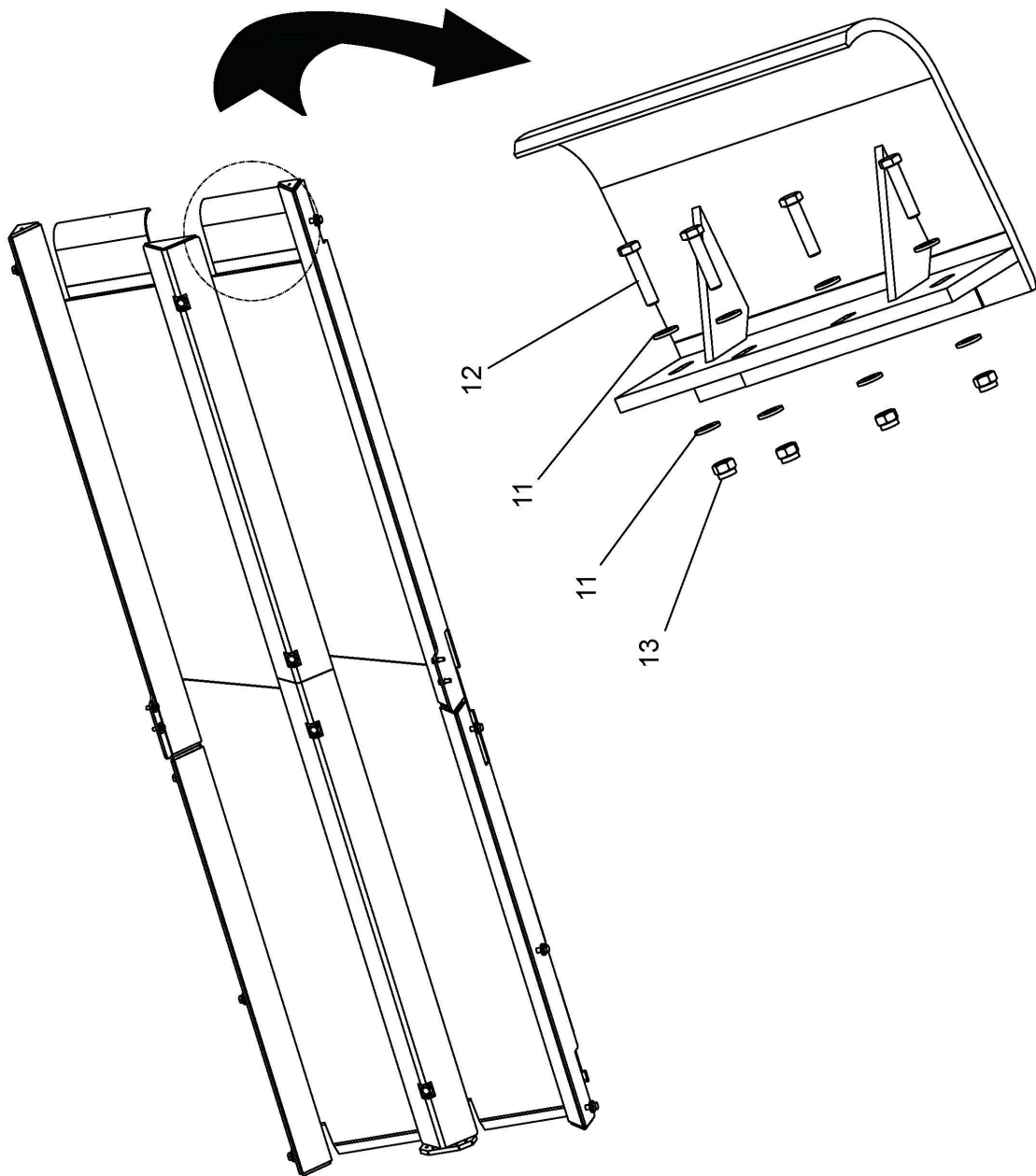
Item	Part No.	Name	Qty	L	SN INFO
1	4812203324	Left auger flight 430-154	1		
2	4812203211	Sleeve	2		
3	0147149103	Hex. head screw	2		
4	0333310042	Schnorr-lock washer	2		
5	4749901556	Nut	2		

Mechanical Conveyor plate assembly



Refer to Parts Online for the most up to date information. The printed information might be outdated.
Wed Oct 21 02:00:45 MDT 2015

Item	Part No.	Name	Qty	L	SN INFO
1	4812245404	Conveyor front plate LH	1		
2	4812245300	Side plate	1		
3	4812245049	Middle plate, weldment	1		
4	4812245051	Conveyor plate	2		
5	4812245064	Middle plate, weldment	1		
6	4812245403	Conveyor plate front RH	1		
7	0147195899	Screw m16x150	4		
9	D939130018	Washer	12		
10	0147147903	Hex head screw	8		
11	D939776115	Washer	16		
12	4812223879	Narrow washer	8		
13	0291118549	Hexagon nut	8		
14	4812245343	Conveyor drive cover, weldment	2		
15	4812246698	Side plate	1		
16	4812246699	Side plate	1		
17	4812246701	Side plate	1		
18	D939776117	Flat washer	4		
20	0147140203	Hex. head screw M12 x 35	4		

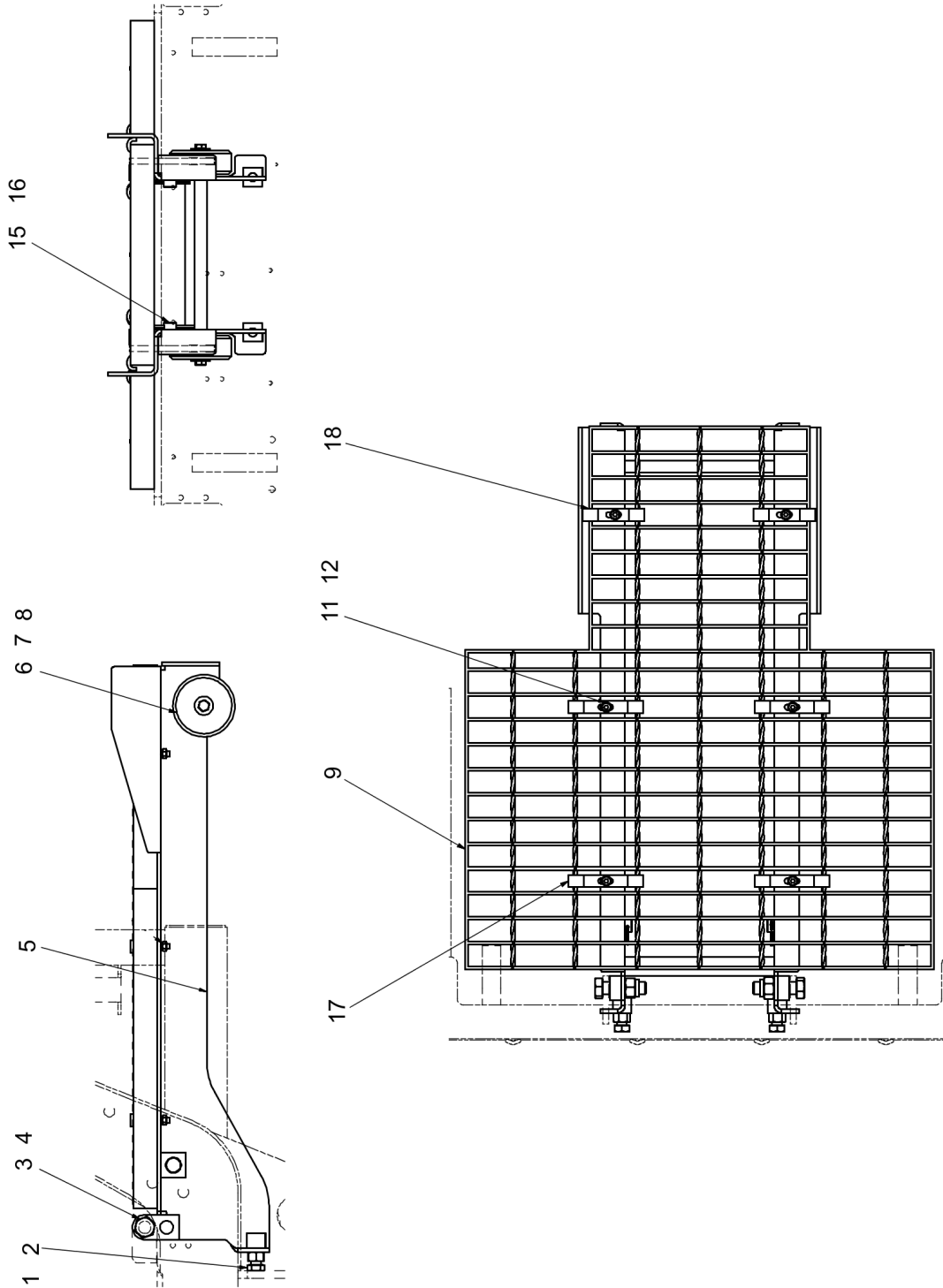


Refer to Parts Online for the most up to date information. The printed information might be outdated.

Wed Oct 21 02:00:45 MDT 2015

This page intentionally left blank

Mechanical Staircase assembly

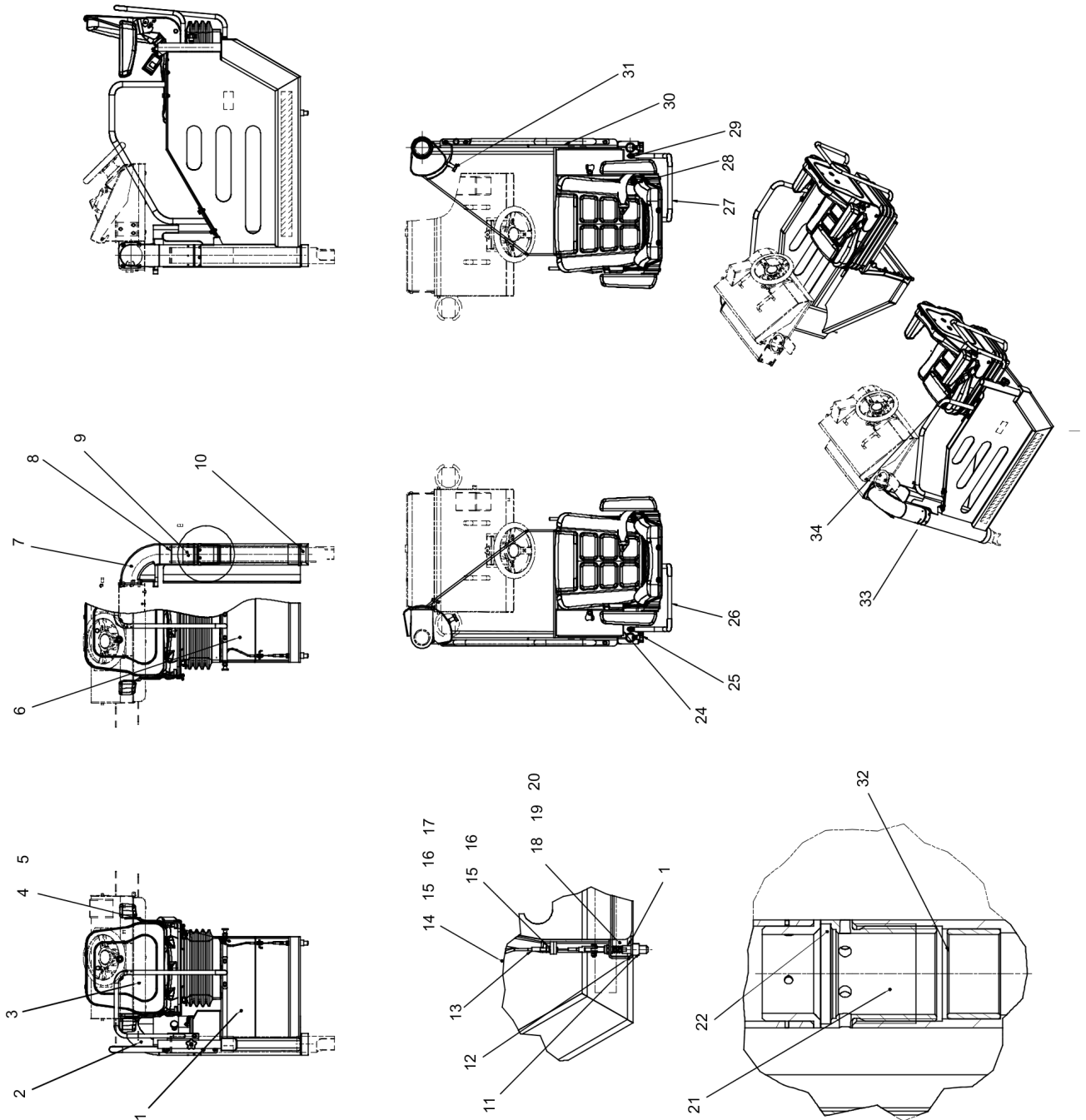


Refer to Parts Online for the most up to date information. The printed information might be outdated.

Wed Oct 21 02:00:46 MDT 2015

Item	Part No.	Name	Qty	L	SN INFO
1	0147147903	Hex head screw	2		
2	0266211400	Hexagon nut M16	2		
3	0147196245	Hexagon head screw	2		
4		Hexagon nut	2		
5	4812247338	Staircase support	1		
6	4730014772	Roller	2		
7	0147136003	Hex. head screw M10 x 20	2		
8	0300013038	Flat washer	2		
9	4812244441	Steel grating	1		
11	0211132903	Hex sock. screw	6		
12	0301233500	Washer DIN125	6		
15	4812247330	Safety pin	2		
16	4812247339	Spring	2		
17	4812248651	Staircase clip	4		
18	4812248652	Staircase clip	2		

Operator platform Turning seat



Refer to Parts Online for the most up to date information. The printed information might be outdated.

Wed Oct 21 02:00:48 MDT 2015

Item	Part No.	Name	Qty	L	SN INFO
1	4812245595	Turning seat bracket	1		
2	4812245583	Control box bracket	1		
3	4812245609	Seat	1		
4	0266211200	Nut	4		
5	4812240197	Washer	4		
6	4812245602	Turning seat bracket	1		
7	4812245597	Control box bracket	1		
8	4812223297	Snap ring	2		
9	4812246447	Copper bush	2		
10	4812223275	Stop, lower bearing	2		
11	4812246449	Dowel pin	2		
12	4812240793	Spring	2		
13	4812241222	Flexible shaft	2		
14	0301233500	Washer DIN125	24		
15	4812240307	Washer	28		
16	0266211000	Hexagon nut M8	12		
17	0211132603	Hexagon socket head cap screw	8		
18	0147124903	Screw DIN933	2		
19	4812241086	Washer	2		
20	5730015118	Hexagon nut	2		
21	4812245603	Thread pipe	2		
22	D717113047	Bearing, operator swing arm	4		
23	0291111200	Lock nut m12	2		
24		Tool box, assembly	2		
25	4812223293	Knob, umbrella clamp	2		
26	4812246922	Protect pipe LH	1		
27	4812246930	Protect pipe RH	1		
28	4812246943	Seat	1		
29	0147132503	Screw DIN933	16		
30	4812246924	Handrail	2		
31	4812246926	Pin	4		
32	4812248176	Copper bush	2	A	
33	0190124146	Threaded pin	6		
34	4700379637	Seat belt kit, static 3"	2	A	
35	4700348331	Seat protector	2	B	
36	4700343775	Plastic insulated steelwire	2	B	

Refer to Parts Online for the most up to date information. The printed information might be outdated.

Wed Oct 21 02:00:48 MDT 2015

Comments for Page: Turning seat

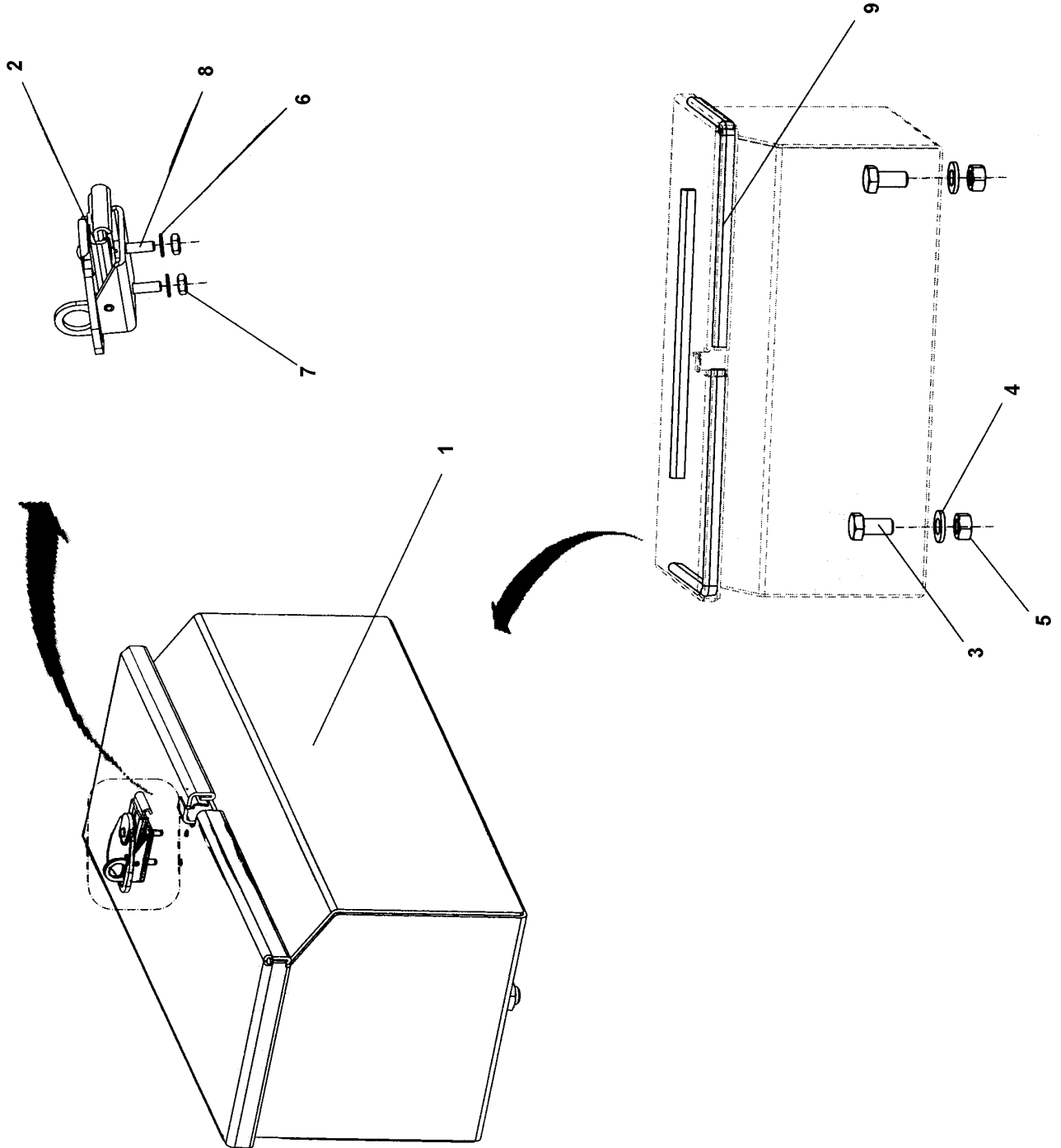
(L)OCAL REMARK

A | Add item 4812248176 and item 4700379637 from SN: 10002133TFC004579

B | Add item 4700348331 from SN: 10002133TFC005246

This page intentionally left blank

Operator platform Tool box, assembly

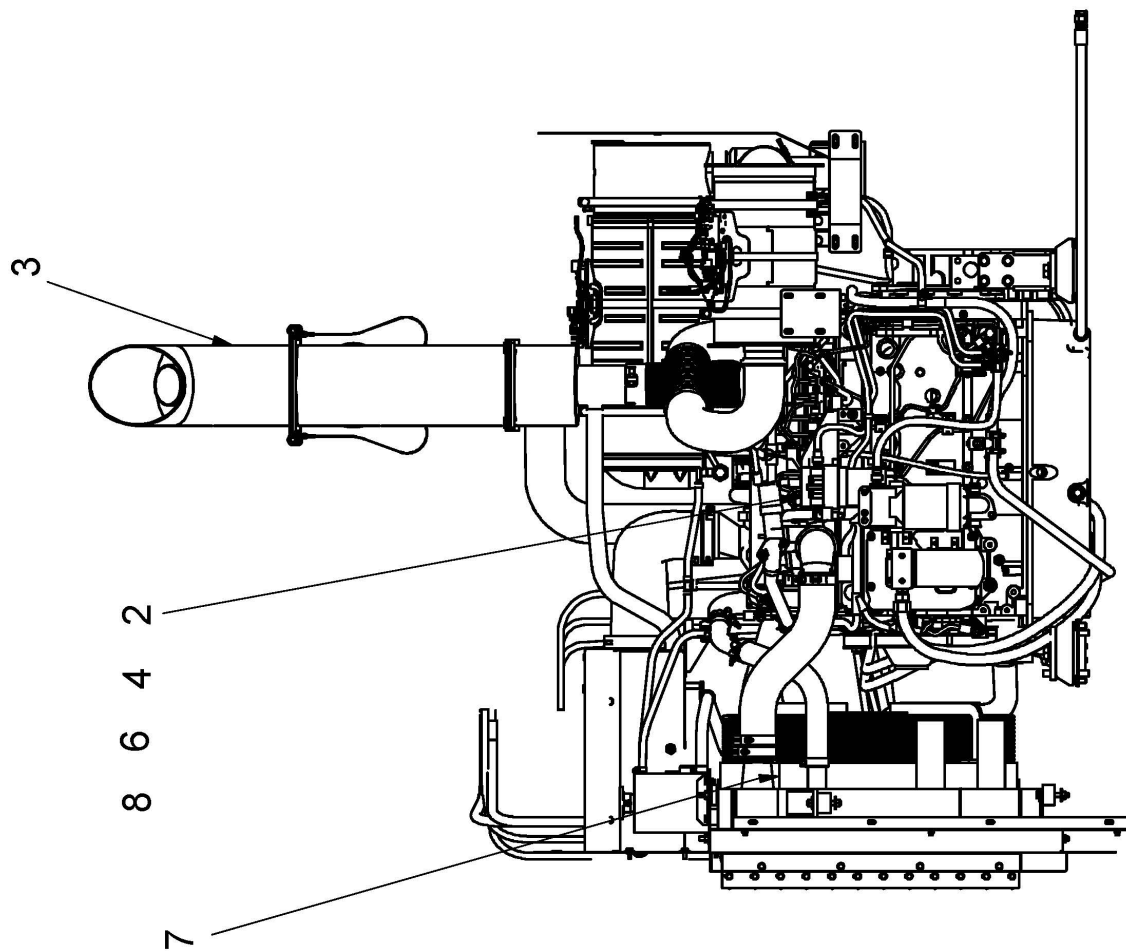


Refer to Parts Online for the most up to date information. The printed information might be outdated.

Wed Oct 21 02:00:48 MDT 2015

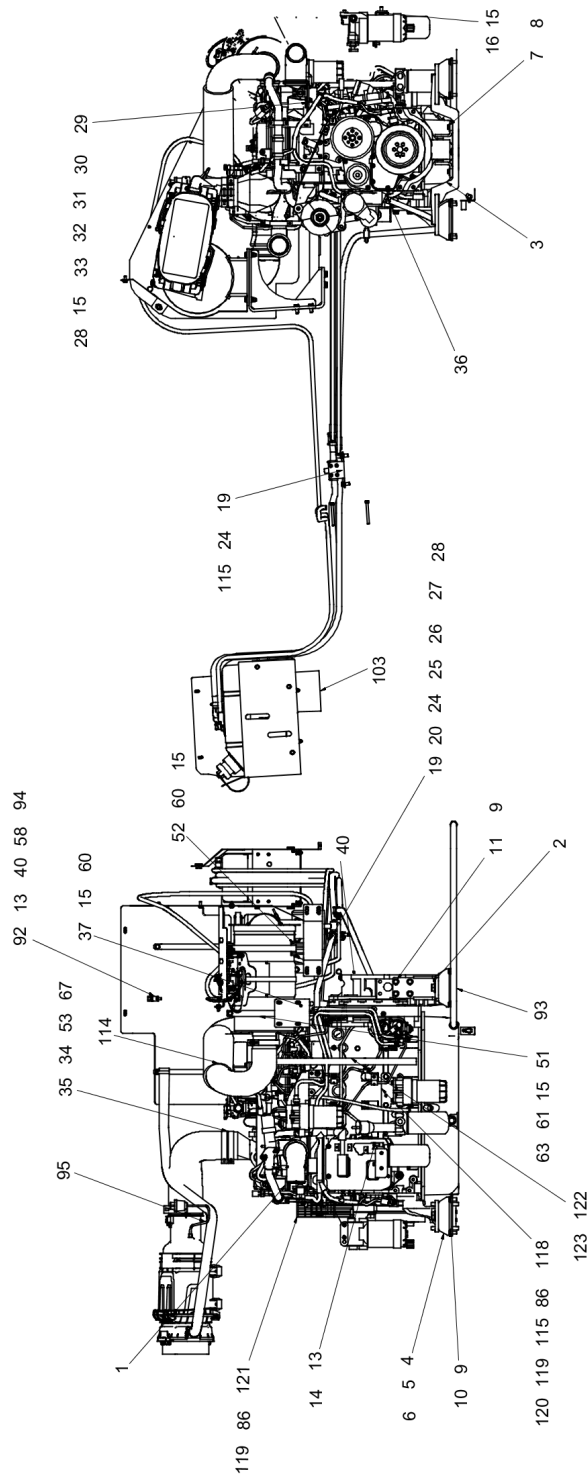
Item	Part No.	Name	Qty	L	SN INFO
1	4812245635	Tool box, weldment	1		
2	4812246200	Lock	1		
3	0147136003	Hex. head screw M10 x 20	2		
4	D939776115	Washer	2		
5	0266211100	Hexagon nut	2		
6	D936882005	Washer	2		
7	0261109153	Hexagon nut	2		
8	0160099742	Slotted screw	2		
9	4812245401	Sealing strip	1		

Engine F800 Engine system



Item	Part No.	Name	Qty	L	SN INFO
2		F800 Engine assembly	1		
3		Exhaust stack assembly	1		
4		Engine oil	17		
6		Urea	17		
7	4812248665	F800T cooling system	1		
8	4812203897	Coolant with antifreeze	32		

Engine assembly 4812245485 F800 engine assembly



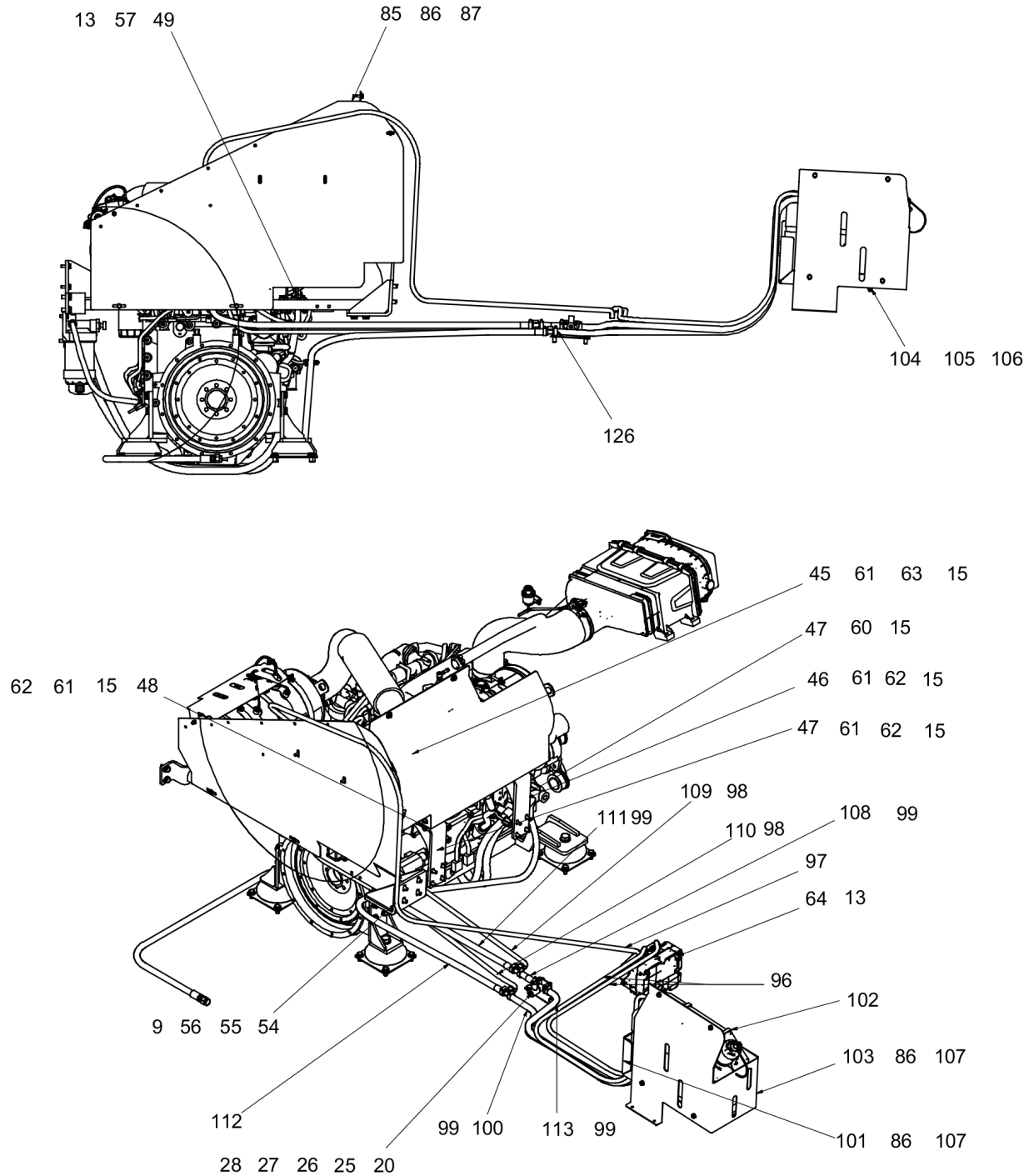
Refer to Parts Online for the most up to date information. The printed information might be outdated.

Wed Oct 21 02:00:52 MDT 2015

Item	Part No.	Name	Qty	L	SN INFO
1	4812243213	F800 Engine	1		
2	4812223440	Engine mounting bracket, rear	2		
3	4812223444	Engine mounting bracket, front	1		
4	4812220644	Engine mounting isolator	4		
5	D939776129	Locking washer	4		
6	D717800449	Screw, M20	4		
7	D939515032	Washer	4		
8	4812220896	Cap screw, 7/16"	4		
9	D939776117	Flat washer	34		
10	4812223500	Bolt	16		
11	D717800470	Screw, M12	8		
13	4749901806	Washer	17		
14	D717800442	Screw, M8	4		
15	D939776115	Washer	44		
16	4812223284	Hexagon bolt	4		
19	4812243523	Coolant flow valve plate	1		
20	4812243459	Coolant flow valve	1		
24	0147140003	Hex head screw M12 x 25	2		
25	0211125003	Hexagon socket head cap screw	4		
26	0301232100	Washer DIN125	4		
27	4812241086	Washer	4		
28	5730015118	Hexagon nut	6		
29	4812243573	Plate	1		
30	D717101014	Relay, intake air heater, engine controls	1		
31	D717800505	Screw, M10	2		
32	4749901860	Washer	4		
33	0147124703	Hex. head screw M6 x 20	2		
34	D756087635	Tube	1		
35	4812245480	Air intake hose	1		
36	4812243546	Straight joint	1		
37	4812244945	Bracket	1		
38	4812245115	Exhaust pipe	1		
39	4812119085	Quick coupling	2		
40	4812221656	P clamp	4		
41	4812243136	DEF tank	1		
44	4812244982	Bracket	1		
45	4812244978	Clamp	2		

Refer to Parts Online for the most up to date information. The printed information might be outdated.

Wed Oct 21 02:00:52 MDT 2015



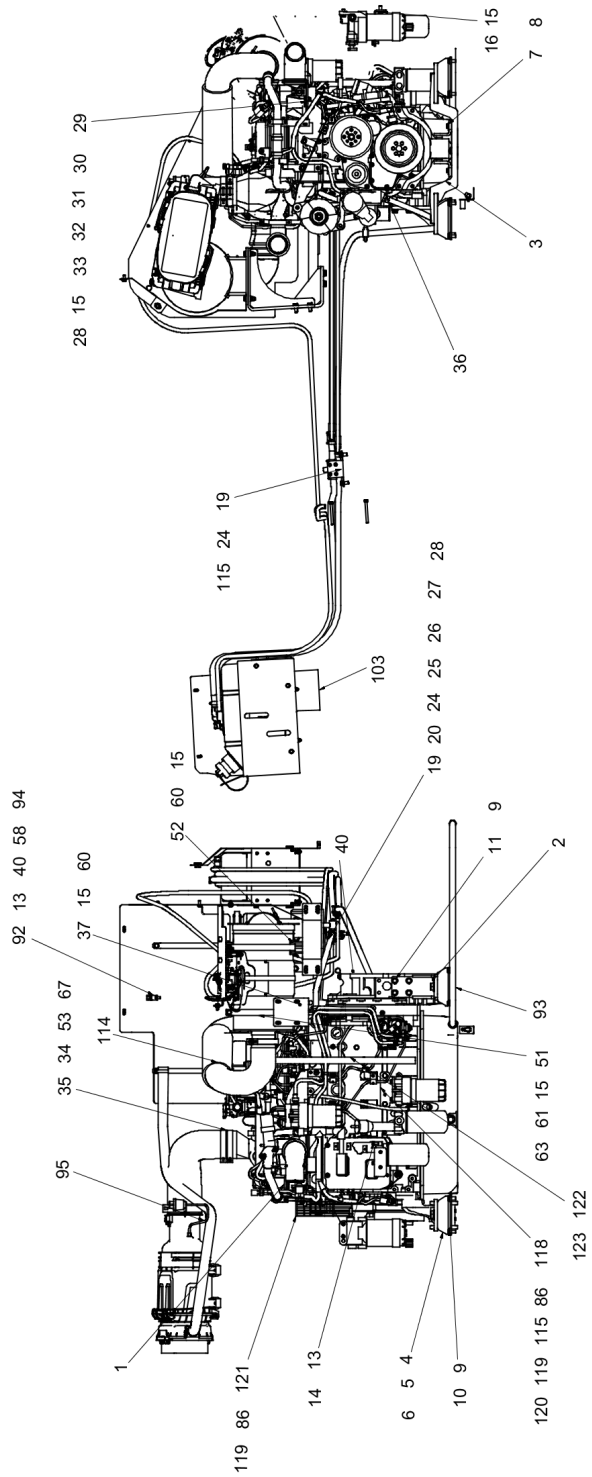
Refer to Parts Online for the most up to date information. The printed information might be outdated.

Wed Oct 21 02:00:52 MDT 2015

Item	Part No.	Name	Qty	L	SN INFO
46	4812244972	Bracket	1		
47	4812244968	Bracket	2		
48	4812244977	Bracket	1		
49	4812244963	Bracket	1		
50	4812244965	Bracket	1		
51	4812244956	Clamp	2		
52	4812244959	Bracket	1		
53	4812035681	Clamp	1		
54	4812245148	Bracket	1		
55	0147140103	Hex head screw M12 x 30	8		
56	5530999900	Hexagon head screw	2		
57	0147132603	Hex. head screw M8 x 30	2		
58	0266211000	Hexagon nut M8	6		
59	0147133012	Hexagon bolt	1		
60	0147136303	Hex. head screw	14		
61	0291118549	Hexagon nut	12		
62	0147196264	Screw DIN933	8		
63	0147136812	Screw	4		
64	4812243135	Bolt	3		
67	D934349107	Clamp	2		
70	4812245102	Exhaust pipe	1		
71	4812246569	Hose, L=1900mm	1		
72	4812241726	Clamp	3		
85	4812245520	Cover plate	1		
86	0301233500	Washer DIN125	24		
87	0147132303	Screw DIN933	11		
88	4812246651	Insulation board	1		
90	4812240307	Washer	3		
91	0300013040	Flat washer	3		
92	4812246882	Plate	2		
93	4812246888	Hose, engine oil drain	1		
94	0147132203	Hex. head screw M8 x 16	8		
95	D717082016	Kit, restriction indicator remote mount	1		
96	4812248242	Pipeline	2		
97	4812248243	Dosing pressure line	1		
98	D717909516	Clamp, worm drive	4		
99	4812248343	Hose clamp	10		

Refer to Parts Online for the most up to date information. The printed information might be outdated.

Wed Oct 21 02:00:52 MDT 2015



Refer to Parts Online for the most up to date information. The printed information might be outdated.

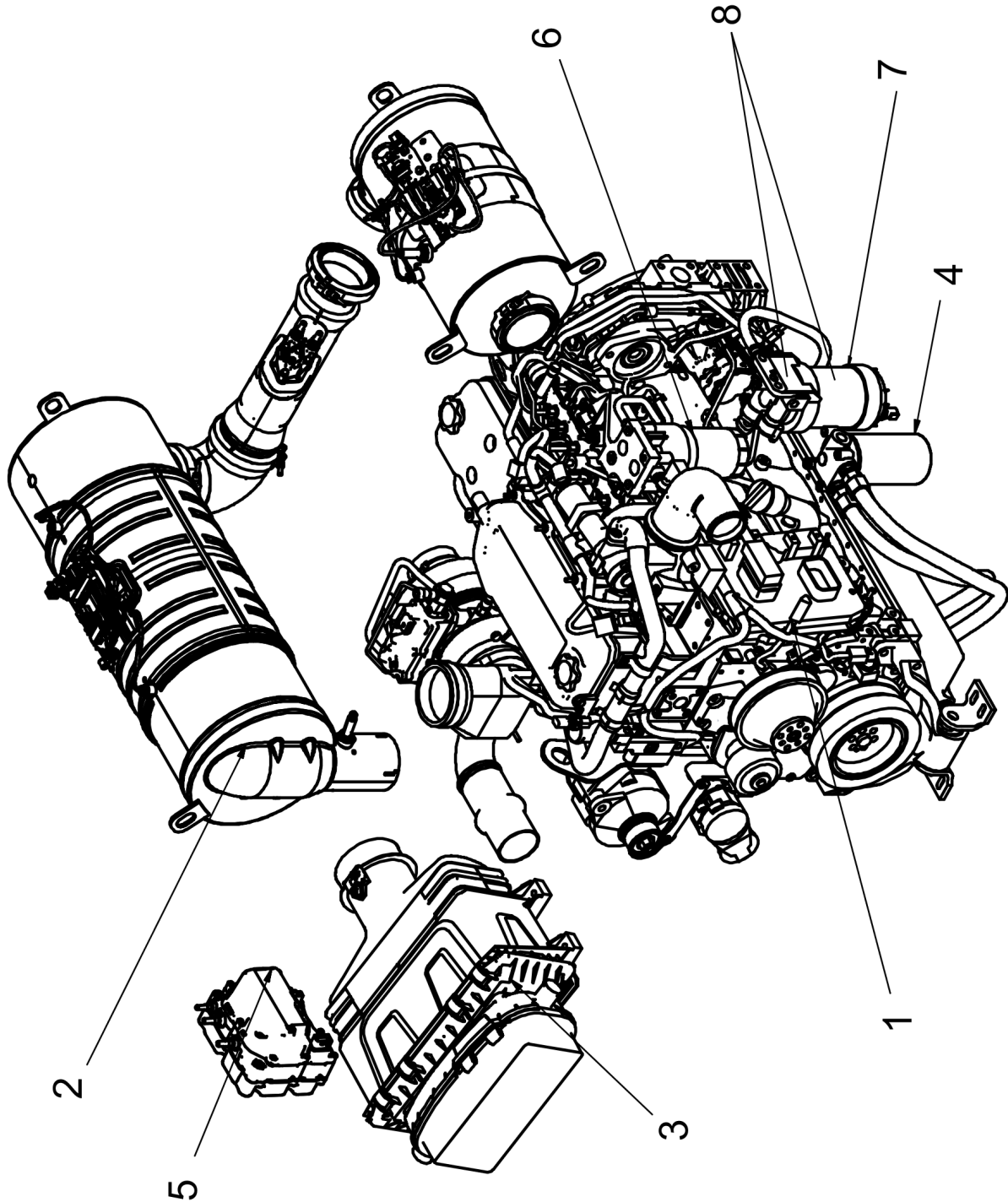
Wed Oct 21 02:00:52 MDT 2015

Item	Part No.	Name	Qty	L	SN INFO
100	4812248431	Cooling hose, L=1500mm	1		
101	4812248437	Support for F800 def tank	1		
102	4812248439	Clamp, for F800 def tank	2		
103	4812248438	Shield, for F800 def tank	1		
104	D717801184	Washer, 1/4'	4		
105	D717801513	Washer, 1/4'	4		
106	4812240678	Nuts	4		
107	0147132003	Hex.bolt M8x12	7		
108	4812248432	Cooling hose, L=95mm	1		
109	4812248433	Cooling hose, L=1950mm	1		
110	4812248434	Cooling hose, L=1650mm	1		
111	4812248435	Cooling hose, L=1470mm	1		
112	4812248436	Cooling hose, L=2285mm	1		
113	4812248430	Cooling hose, L=1460mm	1		
114	4812248497	Heat resistant bandage	1		
115	0333310043	Schnorr-lock washer	4		
116	4812248493	Insulation plate	1		
117	4812247676	Bracket	1		
118	4812249588	Plate, fuel filter	1		
119	0147132503	Screw DIN933	7		
120	0147140103	Hex head screw M12 x 30	2		
121	4812248799	Belt cover	1		
122	4812248801	Air vent hose	1		
123	D934349005	Clamp	1		
124	4812247599	Heat resistant bandage 7 meter	1		
125	4812249811	Worm drive hose clamp	2		
126	4812249580	T-junction	2		

Comments for Page: 4812245485 F800 engine assembly

SN: 10002133TFC005022

Engine assembly F800 Engine assembly

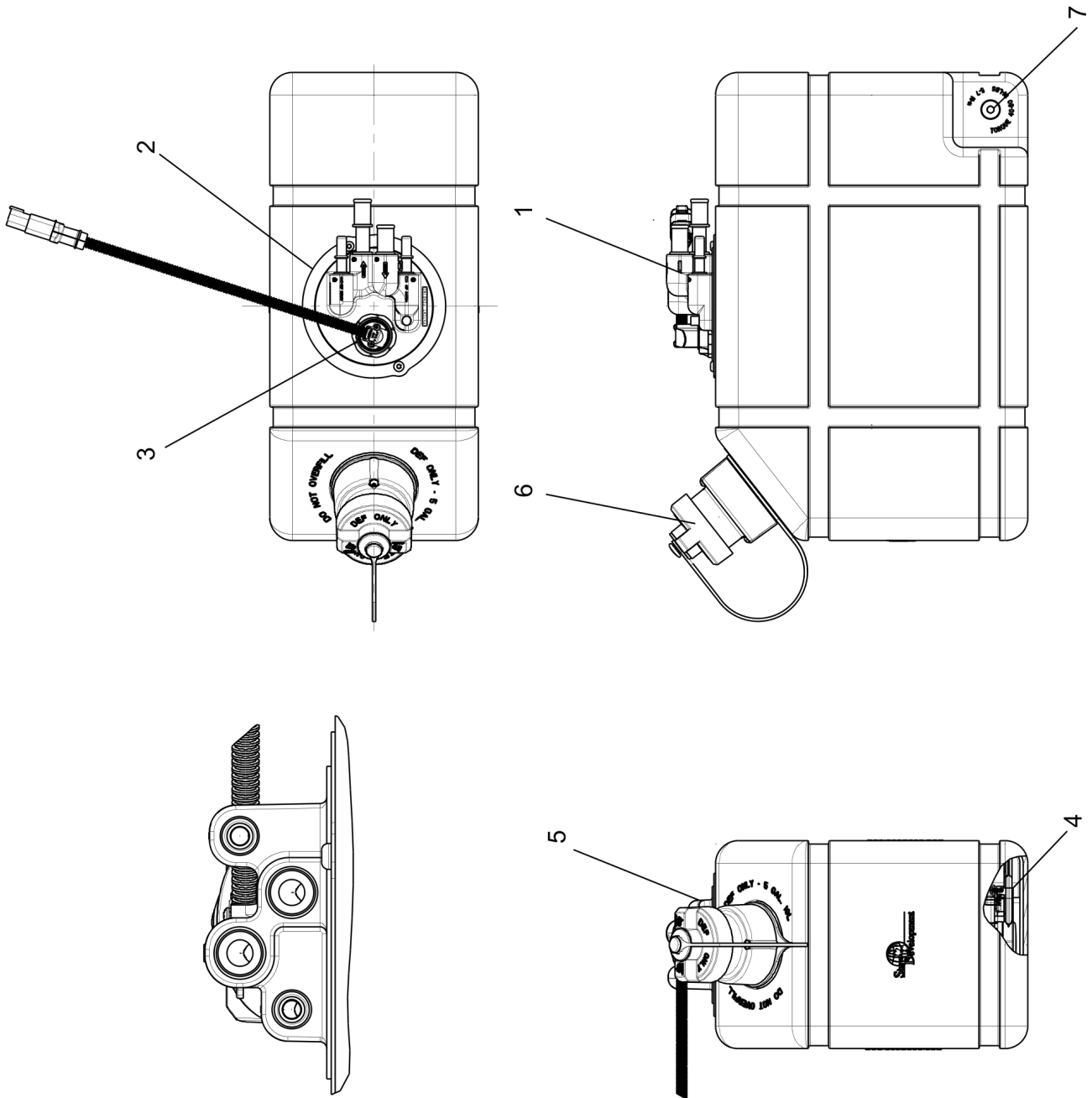


Refer to Parts Online for the most up to date information. The printed information might be outdated.

Wed Oct 21 02:00:53 MDT 2015

Item	Part No.	Name	Qty	L	SN INFO
1	4812243214	Engine	1		
2	4812243215	F800 engine aftertreatment	1		
3	4812222043	Air cleaner assembly	1		
4	4812220919	Engine oil filter	1		
5	4812243043	SM filter	1		
6	4812243053	Fuel filter element	1		
7	4812243054	Fuel pre filter element	1		
8	4812274546	Fuel filter (element & head)	1		

Engine assembly 4812243136 DEF Tank

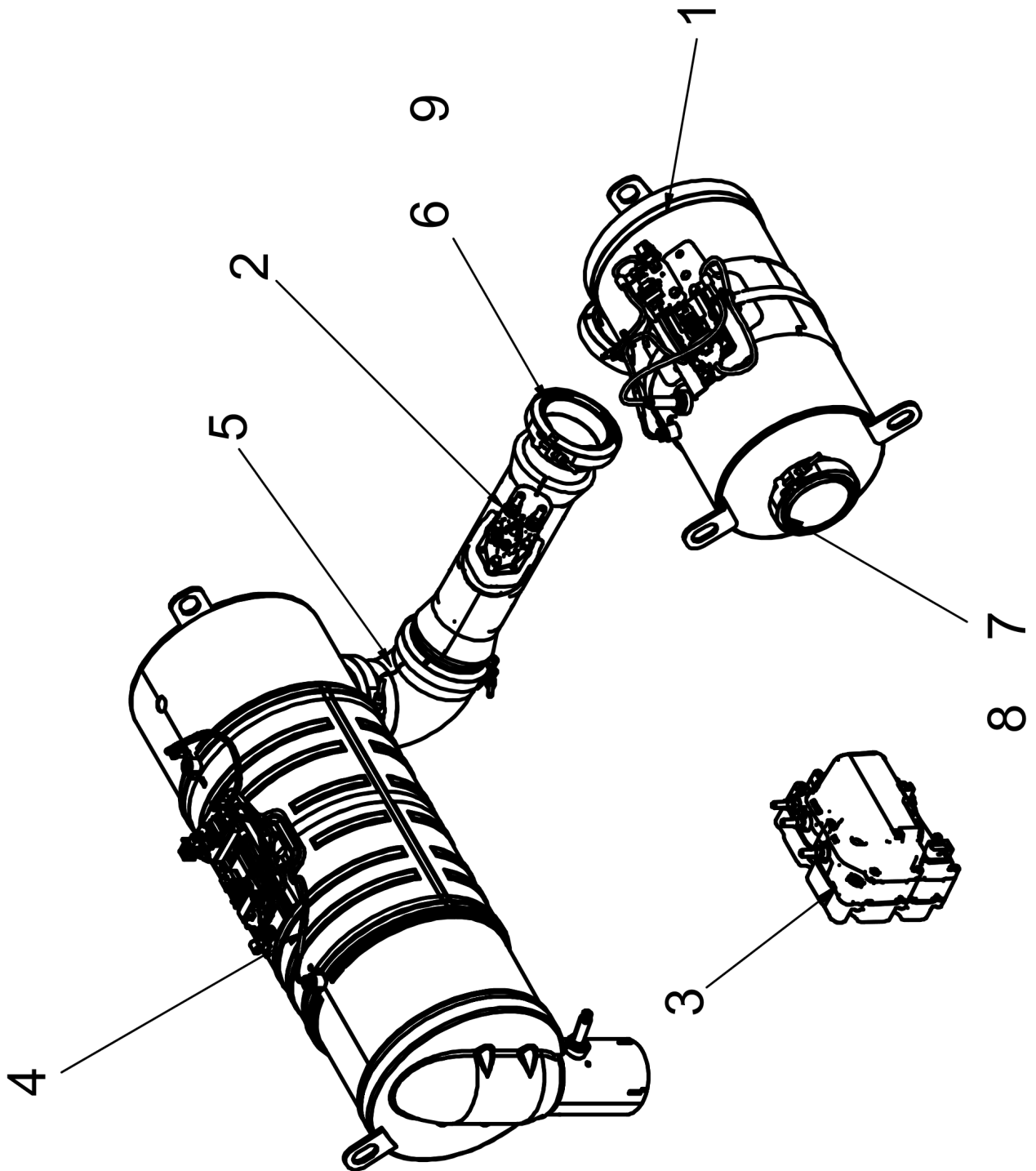


Refer to Parts Online for the most up to date information. The printed information might be outdated.

Wed Oct 21 02:00:53 MDT 2015

Item	Part No.	Name	Qty	L	SN INFO
1	4812274581	Multifunction head	1		
2	4812274582	Ring and screw	1		
3	4812274583	Level sensor kit	1		
4	4812274584	Suction strainer	1		
5	4812274585	Tank and cap adapter	1		
6	4812274586	DEF cap	1		
7	4812274587	Drain plug	1		
8	4812274588	Multifunction head oring	1		

Engine assembly F800 Engine after treatment

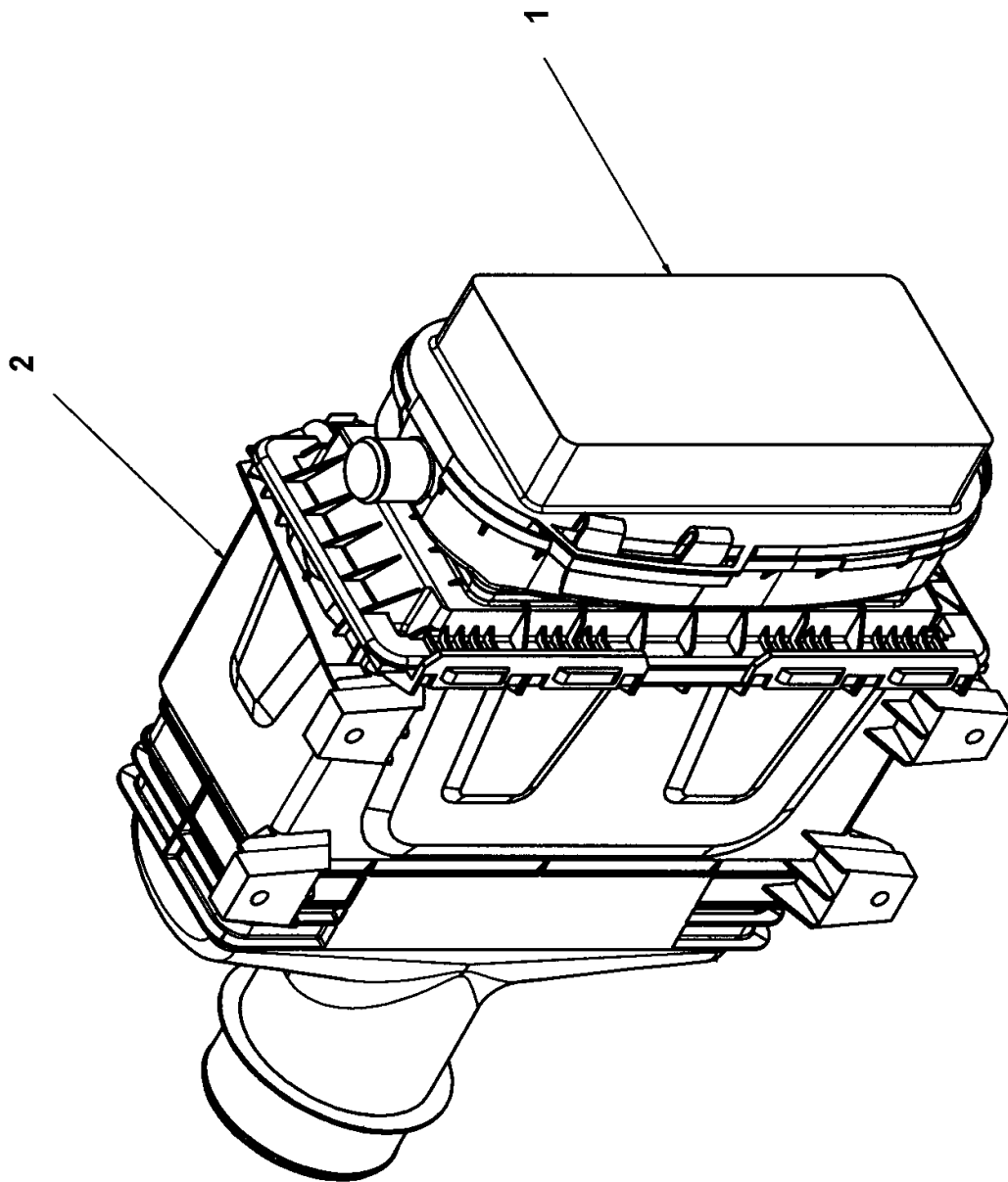


Refer to Parts Online for the most up to date information. The printed information might be outdated.

Wed Oct 21 02:00:54 MDT 2015

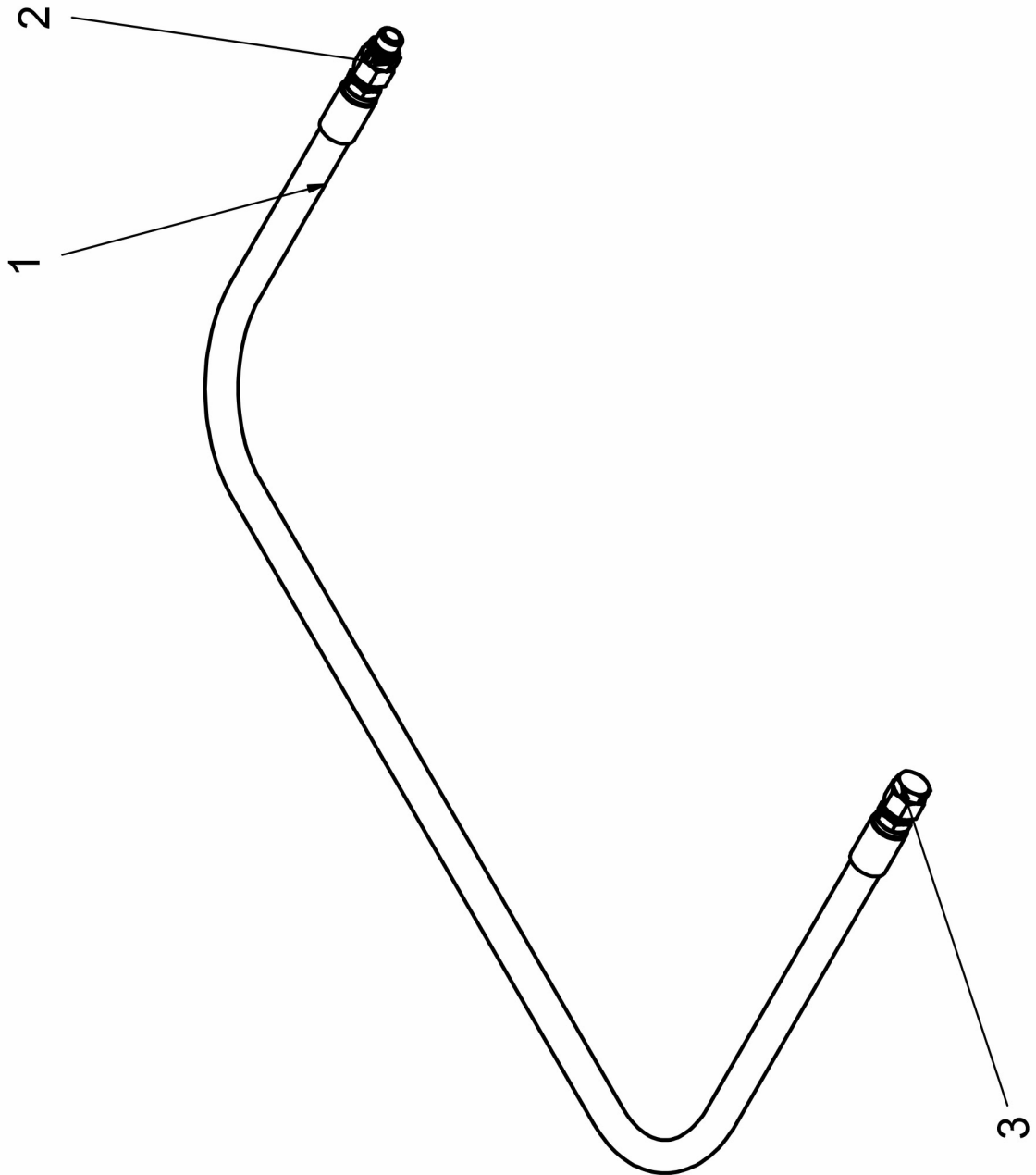
Item	Part No.	Name	Qty	L	SN INFO
1	4812245893	F800 DOC	1		
2	4812245894	Muffler	1		
3	4812242700	DEF supply module	1		
4	4812245895	F800 SCR	1		
5	4812245900	Elbow	1		
6	4812243454	Gasket	4		
7	4812245899	Gasket	1		
8	4812245897	Clamp	1		
9	4812243455	Clamp	4		

Engine assembly 4812222043 Air cleaner



Item	Part No.	Name	Qty	L	SN INFO
1	4812220921	Airfilter main	1		
2	4812220922	Airfilter safety	1		

Engine assembly Hose, engine oil drain

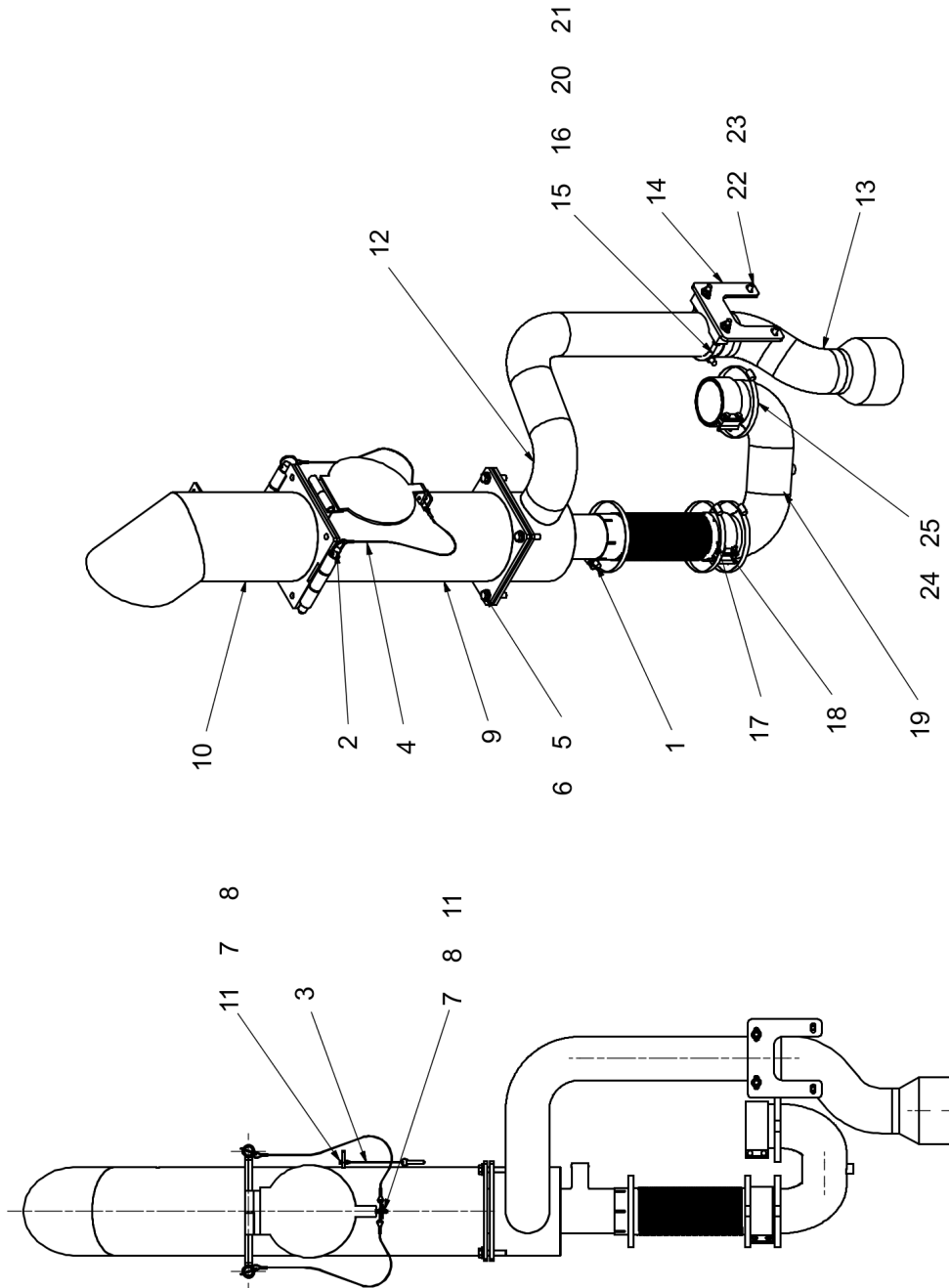


Refer to Parts Online for the most up to date information. The printed information might be outdated.

Wed Oct 21 02:00:54 MDT 2015

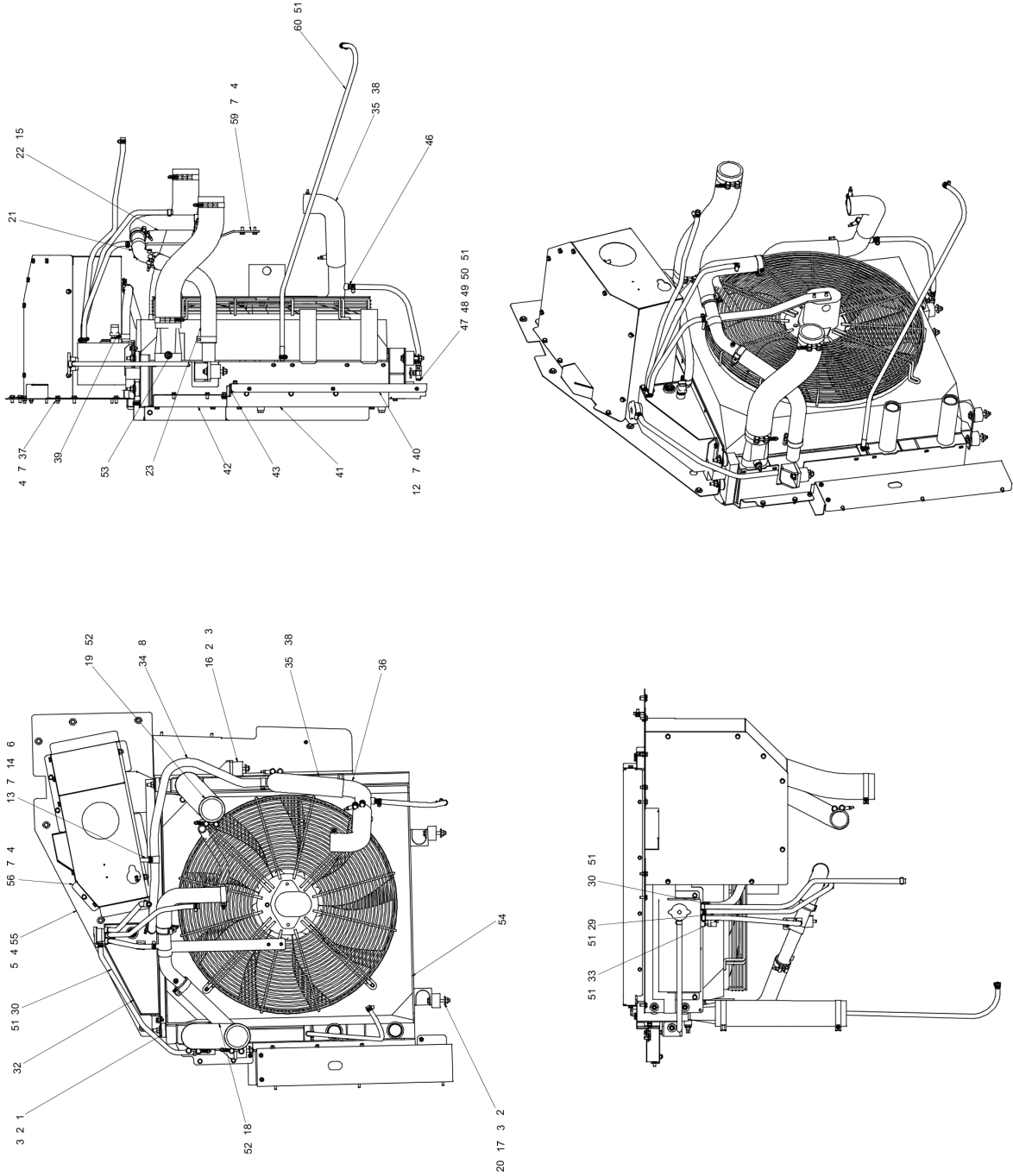
Item	Part No.	Name	Qty	L	SN INFO
1	4812246887	Engine oil drain hose	1		
2	4812224697	Fitting straight M18X1.5	1		
3	D717801877	Plug, 10	1		

Engine Exhaust stack assembly



Item	Part No.	Name	Qty	L	SN INFO
1	4812220715	Clamp, flat	2		
2	D717081527	Pin, stack hinge	2		
3	D717081528	Quick pin with lanyard	2		
4	D717081533	Lanyard, hinge pin	2		
5	0147196069	Screw	4		
6	D939776117	Flat washer	4		
7	4812025391	Washer	4		
8	0291112862	Hexagon nut	2		
9	4812245312	Exhaust pipe	1		
10	4812245318	Exhaust pipe	1		
11	4730767199	Screw	2		
12	4812245296	Exhaust pipe	1		
13	4812245282	Exhaust pipe	1		
14	4812245265	Plate	1		
15	4812245292	Threaded rod	1		
16	4812245270	Plate	1		
17	4812245254	Pipe	1		
18	4812221856	Band clamp	2		
19	4812245252	Exhaust pipe	1		
20	D939776115	Washer	6		
21	0291118549	Hexagon nut	2		
22	4812223284	Hexagon bolt	2		
23	0266211100	Hexagon nut	2		
24		Heat resistant bandage 7 meter	1		
25		Clamp, hose	4		

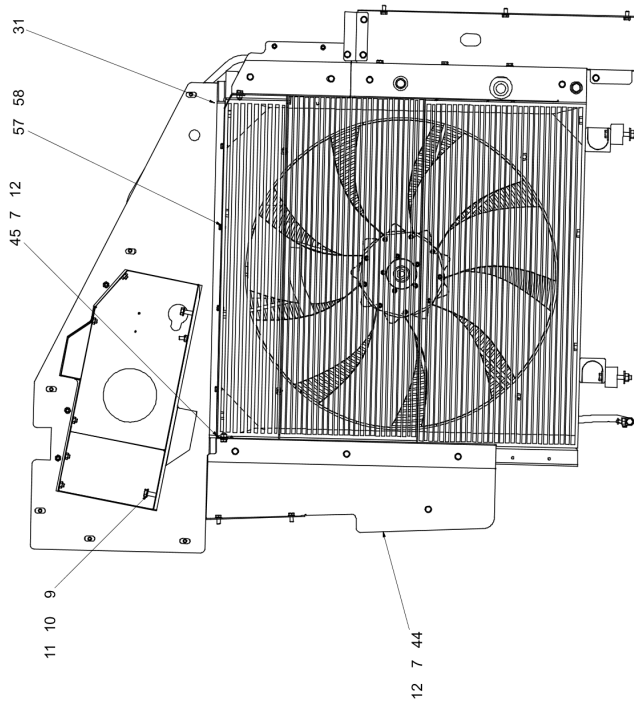
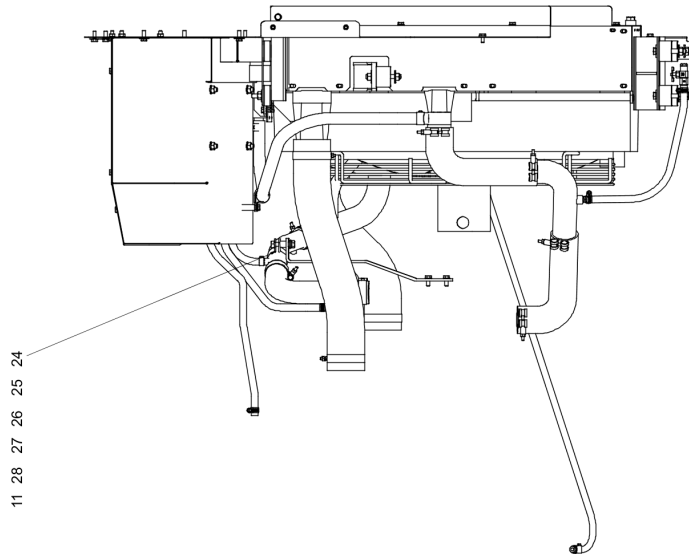
Engine 4812248665 F800t Cooling system



Item	Part No.	Name	Qty	L	SN INFO
1	D930458510	Rubber buffer	4		
2	0300013038	Flat washer	16		
3	0291118549	Hexagon nut	12		
4	0147132303	Screw DIN933	15		
5	0300013040	Flat washer	6		
6	4812034975	Pipe clamp	1		
7	0301233500	Washer DIN125	41		
8	D934349005	Clamp	2		
9	0302127405	Flat washer	8		
10	0147196264	Screw DIN933	4		
11	0266211100	Hexagon nut	5		
12	0147132203	Hex. head screw M8 x 16	31		
13	4812035682	Distance pipe	1		
14	0147110672	Hexagon head screw	1		
15	D934349115	Clamp	4		
16	4812220881	Cooler isolator	2		
17	4812244898	Shock absorber	4		
18	4812244668	Hose	1		
19	4812244694	Hose	1		
20	0147135903	Hex. head screw M6 x 20	4		
21	4812244704	Coolant pipe	1		
22	4812244696	Coolant hose	1		
23	4812244700	Coolant hose	1		
24	4812220973	Clamp, holder sonic sensor	1		
25	4812243669	Bushing	1		
26	0301234400	Plain washer M10.5/22	1		
27	4812240226	Washer	1		
28	0147136712	Hexagon head screw	1		
29		Air vent hose, L=200mm	680	A	
30		Air vent hose, L=560mm	840	A	
31	4812245696	Foam	1		
32	4812244732	Auxiliary water tank	1		
33		Air vent hose, L=475mm	475	A	
34		Filling hose, L=1130mm	1130	B	
35	4812244840	Coolant hose	2		
36	4812244841	Coolant pipe	1		
37		Hexagon nut M8	3		

Refer to Parts Online for the most up to date information. The printed information might be outdated.

Wed Oct 21 02:00:57 MDT 2015



Item	Part No.	Name	Qty	L	SN INFO
38	4812200419	Hose clamp, 2 3/4'	4		
39	D717085054	Sensor, coolant level	1		
40	4812247806	Side cover-1	1		
41	4812247808	Side cover-2	1		
42	4812247809	Side cover-3	1		
43	4812247811	Side cover-4	1		
44	4812247812	Side cover-5	1		
45	4812247815	Side cover-7	1		
46	D717802045	Hose barb, 06-04	1		
47	4812220957	Plug, 1/4'	1		
48	D717085102	Needle valve	1		
49	4812220956	Adapter, 1/4'-3/8'	1		
50		Hose, drain, L=455mm	455	A	
51	D717909516	Clamp, worm drive	11		
52	4812248360	Clamp	4		
53	D717084554	Temperature sensor	1		
54	4812248664	F800T cooler (Included fan)	1		
55	4812248661	Air cleaner cover	1		
56	4812248663	Air cleaner cover plate	1		
57	0301232100	Washer DIN125	4		
58	0147124403	Hex. head screw	4		
59	4812248669	Hose clamp plate	1		
60		Fuel hose, L=1270mm	1270	C	
61	4812245882	Support plate	1		
62	4812245879	Support	1		
63	D939776115	Washer	4		
64	0147136303	Hex. head screw	4		

Comments for Page: 4812248665 F800t Cooling system

(L)OCAL REMARK

A | ID=3/8" of 28409 SS HEATER HOSE from GATES SAFTY STRIPE HEATER HOSE

B | 1. Material: Gummi EPDM(Std:After DIN73411-79)

2. Dimention: 22X3.5mm

3. Temperature range: -40°C till +120°C

4. Other:Pressure resistance=3 bar, Min burst pressure=9 bar"

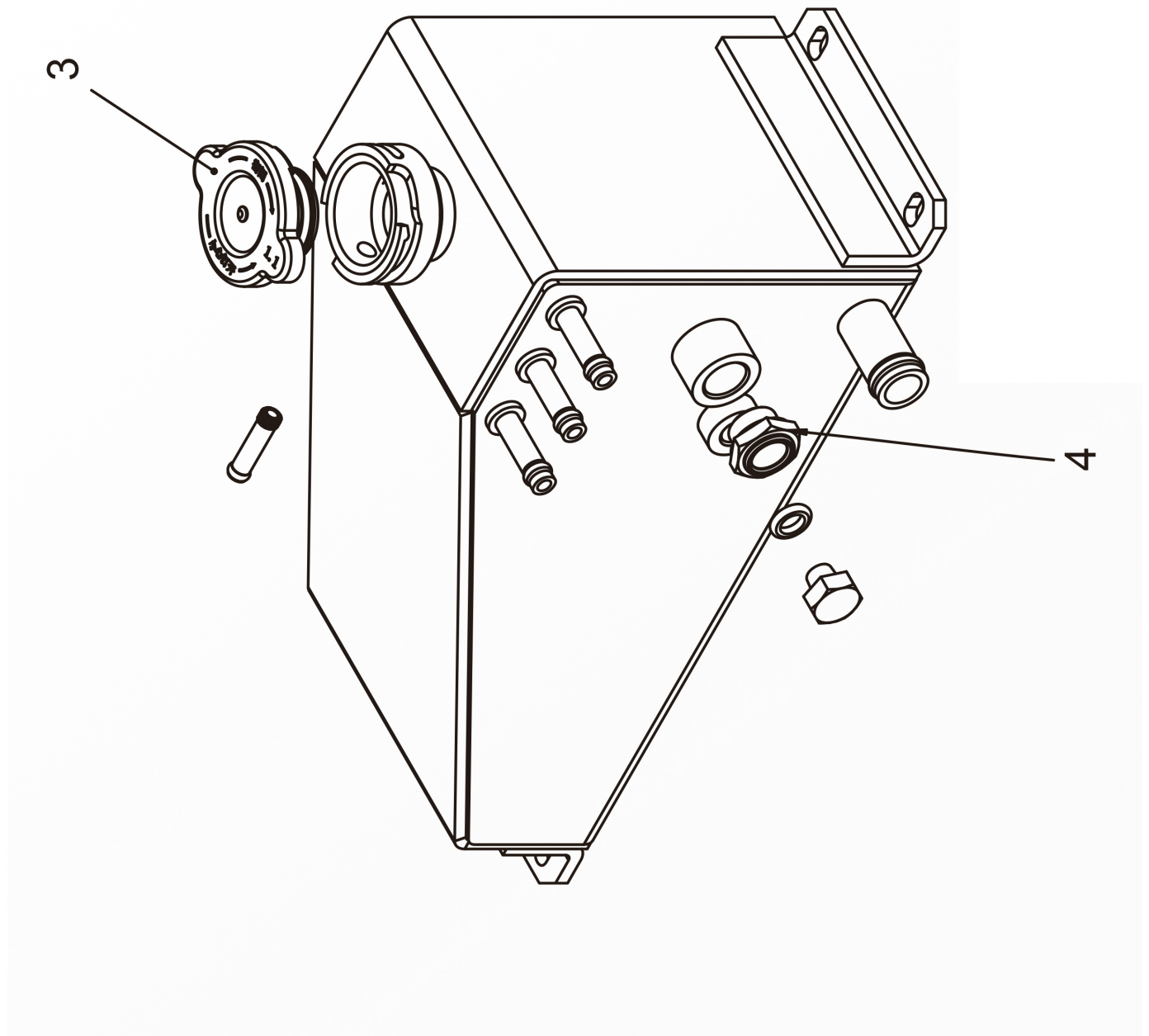
Refer to Parts Online for the most up to date information. The printed information might be outdated.

Wed Oct 21 02:00:57 MDT 2015

- C | 1. Material: Inner tube=NBR, outer tube=CR. Temperature range -30°C till +80°C.
2. Dimension: ID=8±0.75mm, OD=15.5mm.
3. Standard:ISO 7840 Fireresistant fuel hoses and comply with Class A2,fuel permeation rate max. 12 g/(m² h)
4. Temperature range: -30°C till +80°C
5. Other:Operating pressure=3.4bar, Min burst pressure=14bar, Bend radius=95mm"

This page intentionally left blank

Engine 4812244732 Auxiliary water tank

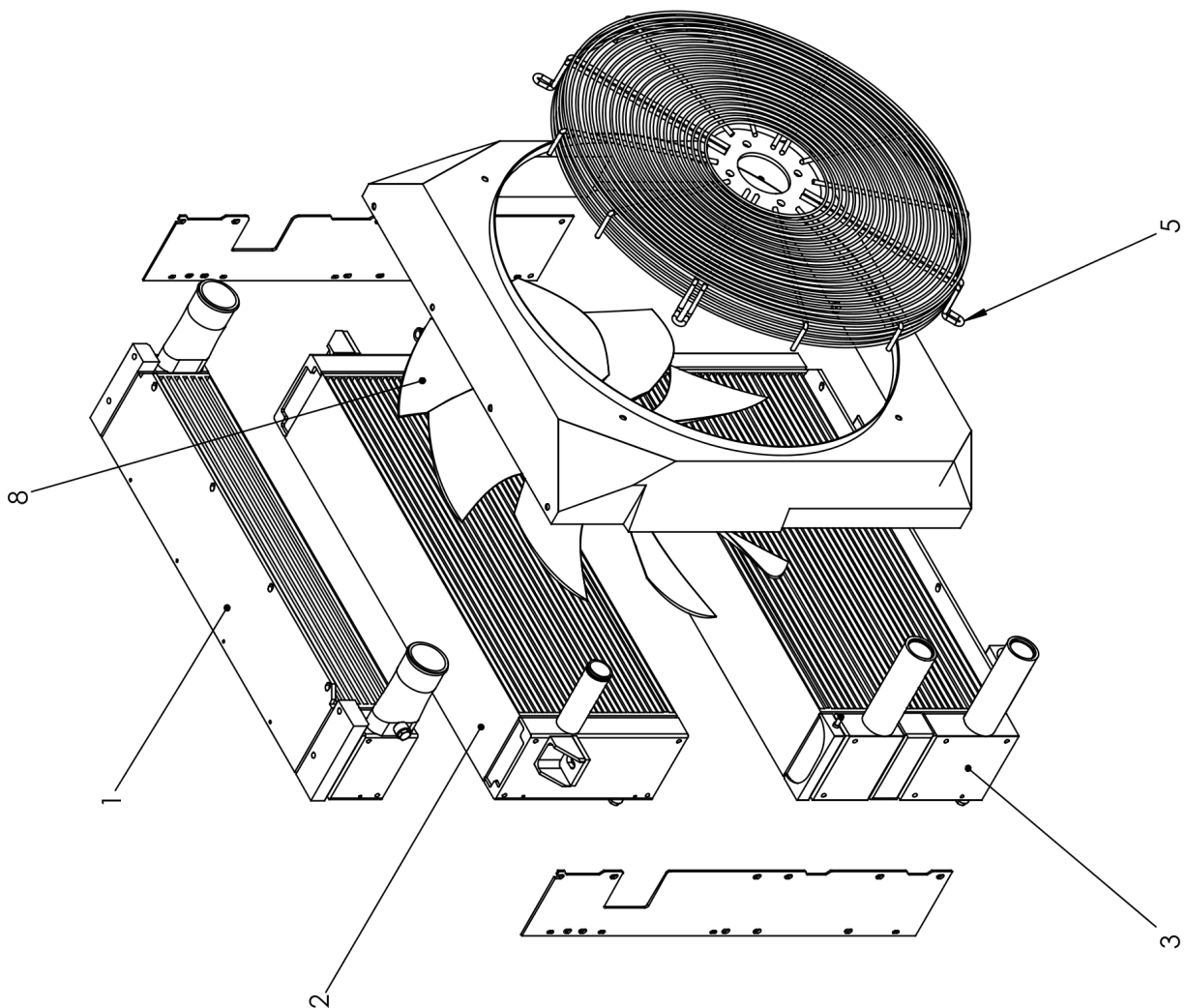


Refer to Parts Online for the most up to date information. The printed information might be outdated.

Wed Oct 21 02:00:58 MDT 2015

Item	Part No.	Name	Qty	L	SN INFO
3	4812313024	Indicator	1		
4	4812313025	Cap	1		

Engine 4812248664 F800T cooler

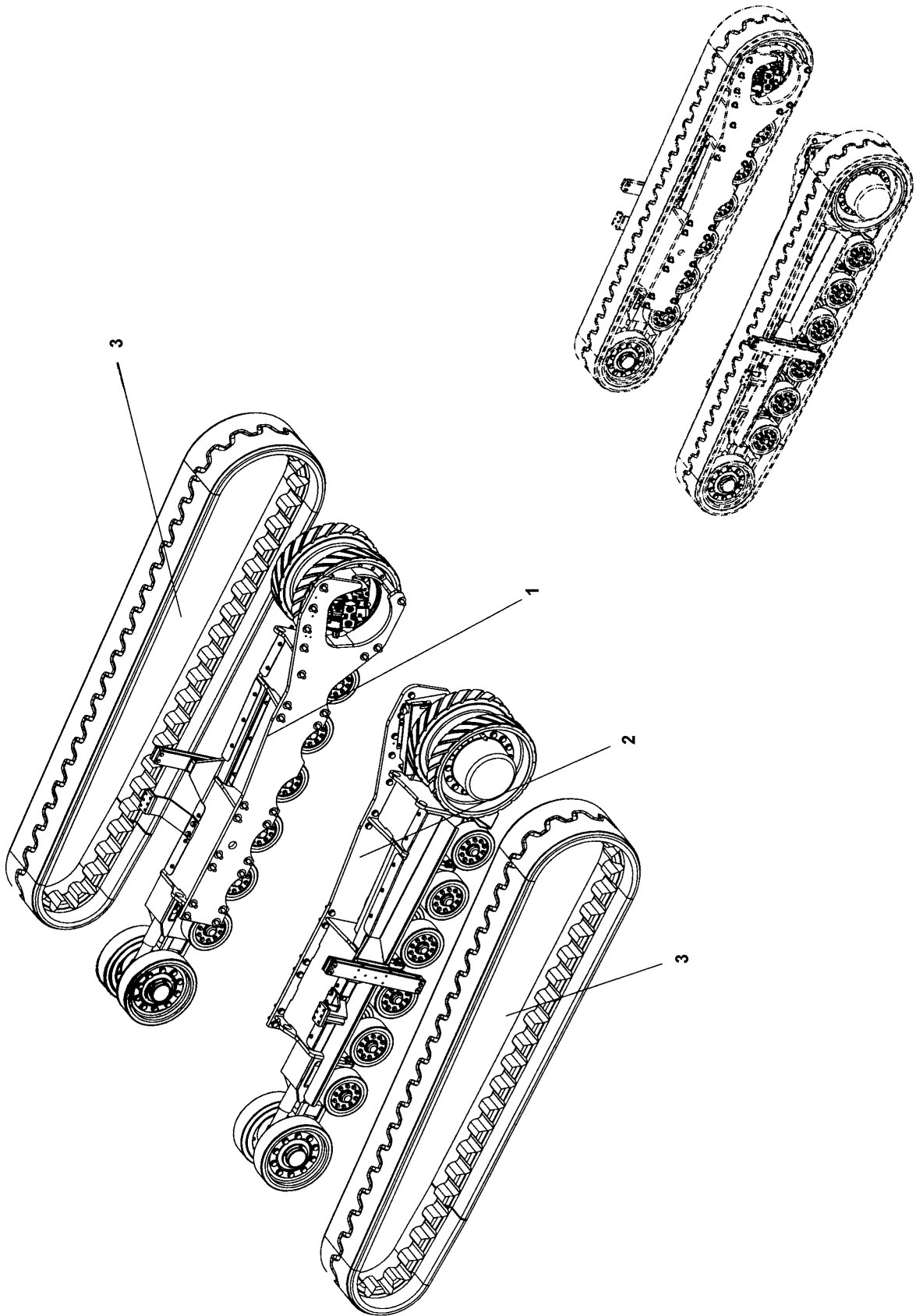


Refer to Parts Online for the most up to date information. The printed information might be outdated.

Wed Oct 21 02:00:59 MDT 2015

Item	Part No.	Name	Qty	L	SN INFO
1	4812313023	Cooling element air	1		
2	4812313022	Cooling element water	1		
3	4812313021	Cooling element oil	1		
5	4812313020	Protective grating	1		
8	4812313019	Fan	1		

Drive Track group assembly, 8' track paver

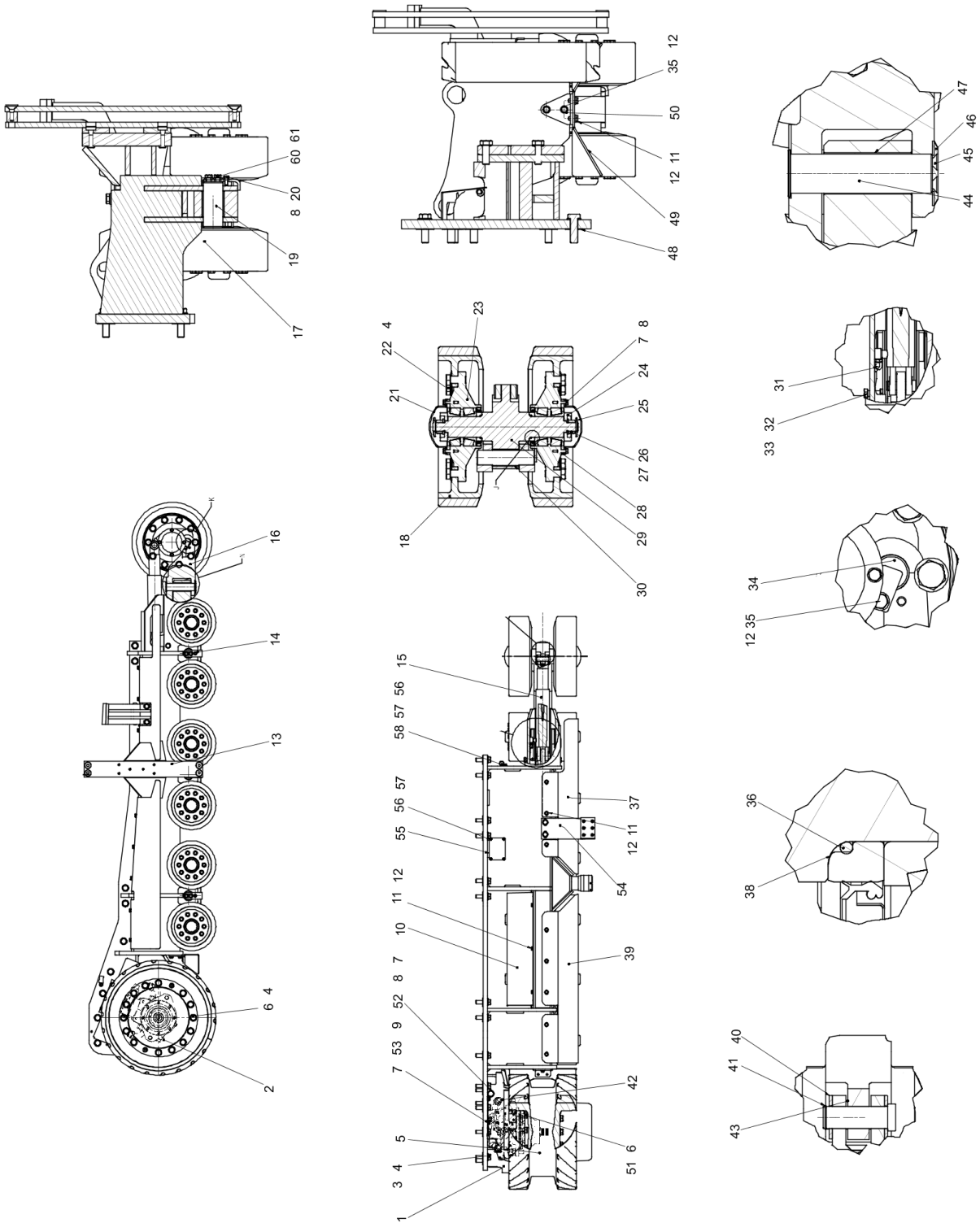


Refer to Parts Online for the most up to date information. The printed information might be outdated.

Wed Oct 21 02:01:00 MDT 2015

Item	Part No.	Name	Qty	L	SN INFO
1		Track group, 8' track paver RH	1		
2		Track group, 8' track paver LH	1		
3	4812243382	Rubber track	2		

Track group paver RH Track group paver RH



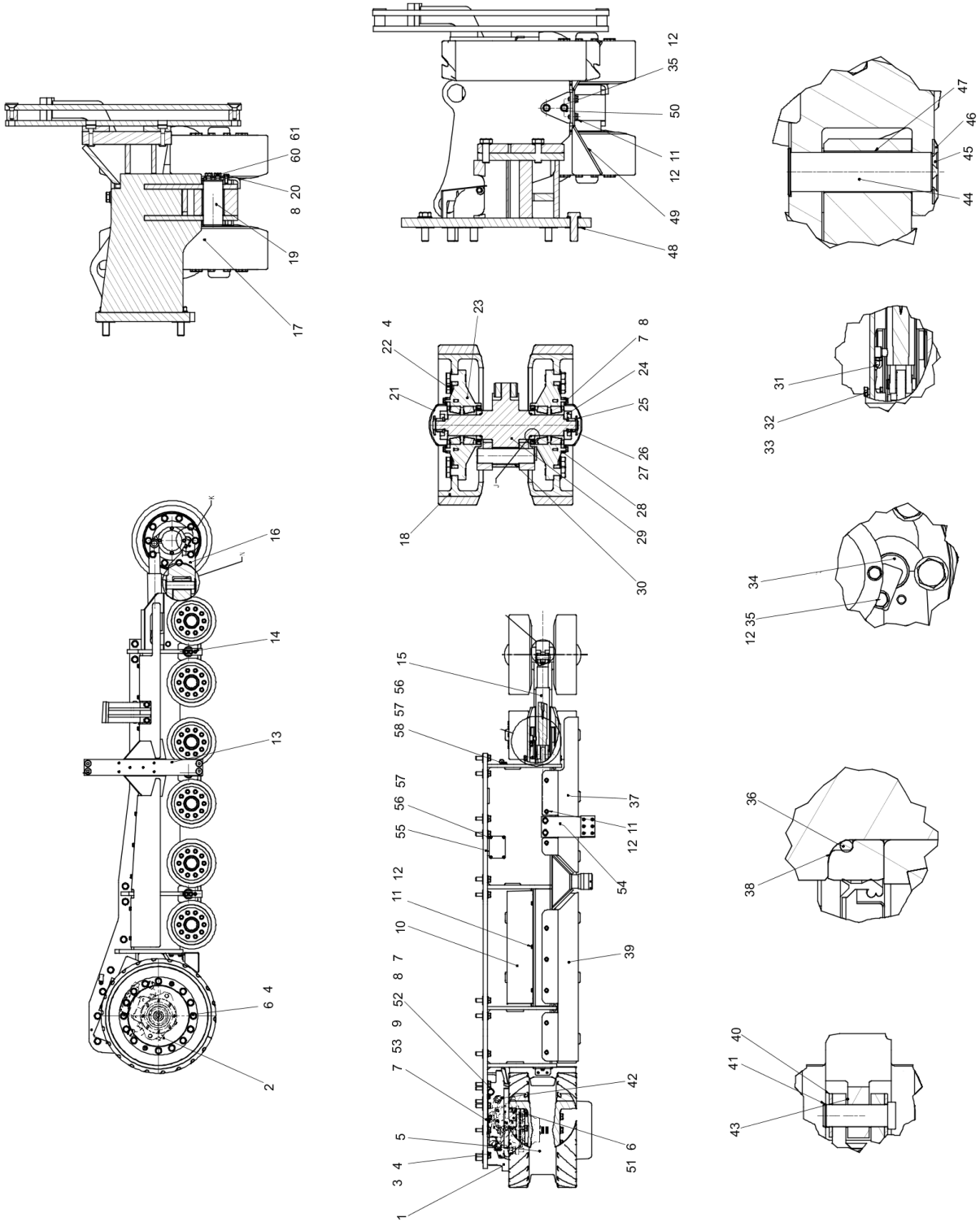
Refer to Parts Online for the most up to date information. The printed information might be outdated.

Wed Oct 21 02:01:02 MDT 2015

Item	Part No.	Name	Qty	L	SN INFO
1	4812243198	Track frame RH	1		
2		Drive sub assembly	1		
3	D938170982	Hex. screw	24		
4	D939776129	Locking washer	58		
5	4812243325	Bonded drive wheel RH	1		
6	5531089300	Hexagon head screw	30		
7	0147132503	Screw DIN933	14		
8	D939776113	Washer	13		
9	0300013040	Flat washer	4		
10	4812243381	Inner track guard	1		
11	0147136003	Hex. head screw M10 x 20	13		
12	D939776115	Washer	16		
13	4812245724	Arm bracket assembly	1		
14	4812248613	Lock plate	3		
15	4812249596	Cylinder, track tension	1		
01	4812313153	Cylinder 4812249596 seal kit	1		
16	4812245722	Idler frame	1		
17		Bogie assembly	3		
18	4812243336	Bonded idler wheel	2		
19	4812223125	Pin, bogie	3		
20	0147110836	Hexagon head screw	3		
21	4812223131	Cover,dust, bolt	2		
22	4812223296	Hexagon bolt	20		
23		Hub, idler wheel assembly	2		
24	4812223144	Washer	2		
25	4812241125	Split pin	2		
26	4812045878	Crown nut	2		
27	4700904234	Steel plain washer	2		
28	4812240808	Spacer	2		
29	4812223141	Block, tensioner	1		
30	4812242270	Bushing, tensioner	1		
31	4812116050	Adapter	1		
32	4812223292	Hexagon bolt	2		
33	4812223285	Hexagon nut	2		
34	4812223138	Weldment, track tensioner pin	1		
35	4812223284	Hexagon bolt	3		
36	D717170630	O-ring	2		

Refer to Parts Online for the most up to date information. The printed information might be outdated.

Wed Oct 21 02:01:02 MDT 2015



Refer to Parts Online for the most up to date information. The printed information might be outdated.

Wed Oct 21 02:01:02 MDT 2015

Item	Part No.	Name	Qty	L	SN INFO
37	4812243406	Front track guard, RH	1		
38	4812223133	Spacer, seal, idler wheel hub	2		
39	4812243362	Rear track guard, RH	1		
40	4812242606	Washer	1		
41	4812223436	Ring, external retaining	2		
42	4812243330	Rubber plate	1		
43	4812223435	Pin, tensioning cylinder bore end	1		
44	4812223128	Pin, tension	1		
45	0216195773	Countersunk screw	2		
46	4812223129	Retainer, tension assembly	1		
47	4812223132	Bushing	1		
48	4812223152	Shim kit	24		
49	4812243408	Dirt guard	1		
50	4812223153	Dirt guard support	1		
51	4749901853	Washer	16		
52	4812034975	Pipe clamp	1		
53	4812240307	Washer	4		
54		Hopper bracket, RH	1		
55	4812247557	Cover plate for track frame	1	A	
56	0147124603	Screw	5		
57	0300013026	Flat washer	5		
58	4700921028	Pipe clamp	1		
59		Oil	3		
60	4812223500	Bolt	6		
61	D939776117	Flat washer	6		
62	4812203481	Pin	1		
63	4812204457	Safe bracket	1	B	

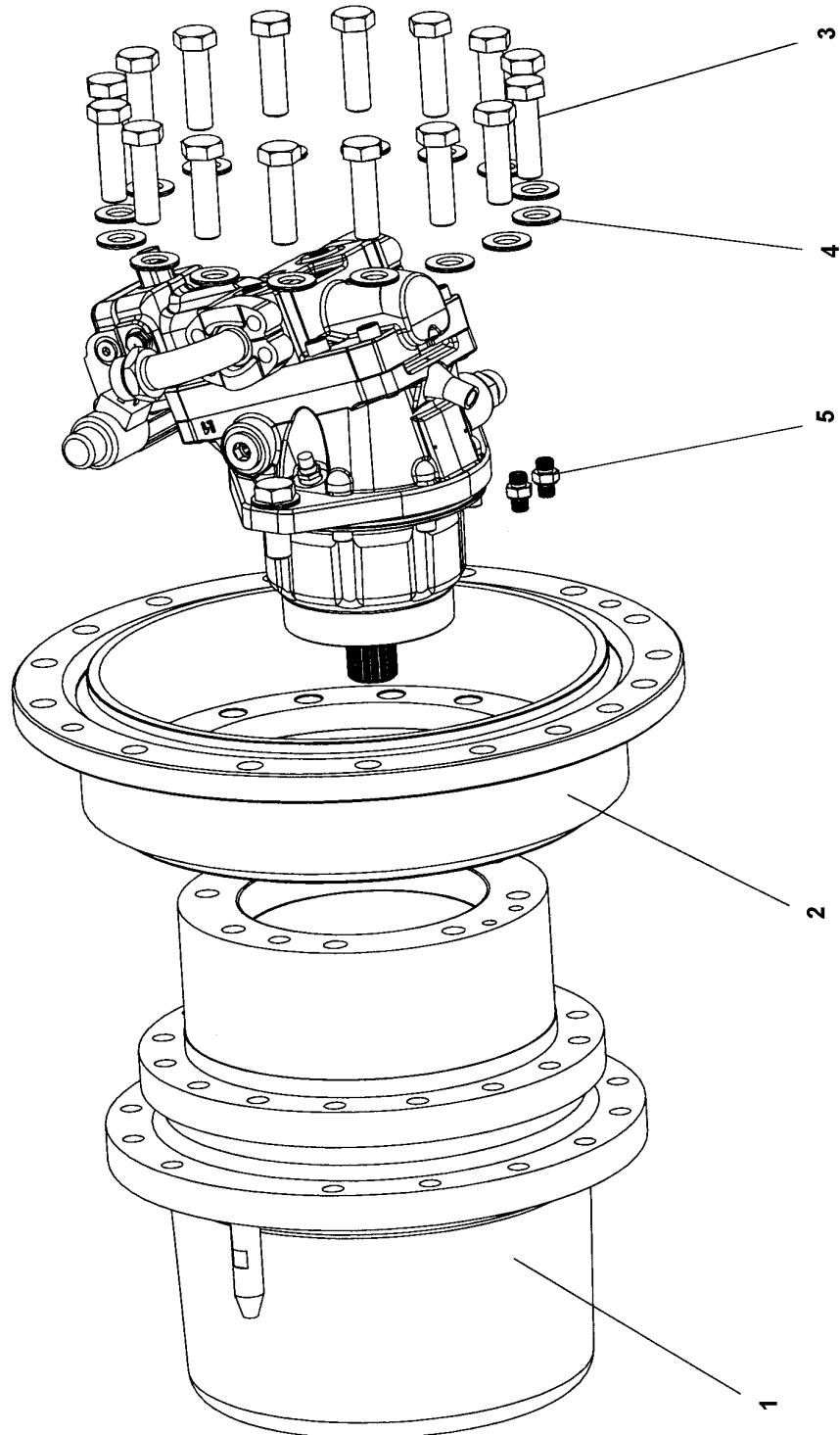
Comments for Page: Track group paver RH

(L)OCAL REMARK

A | Add item 4812247557 from SN: 10002133TFC004579

B | Add item 4812204457 from SN:

Track group paver RH Drive sub-assembly

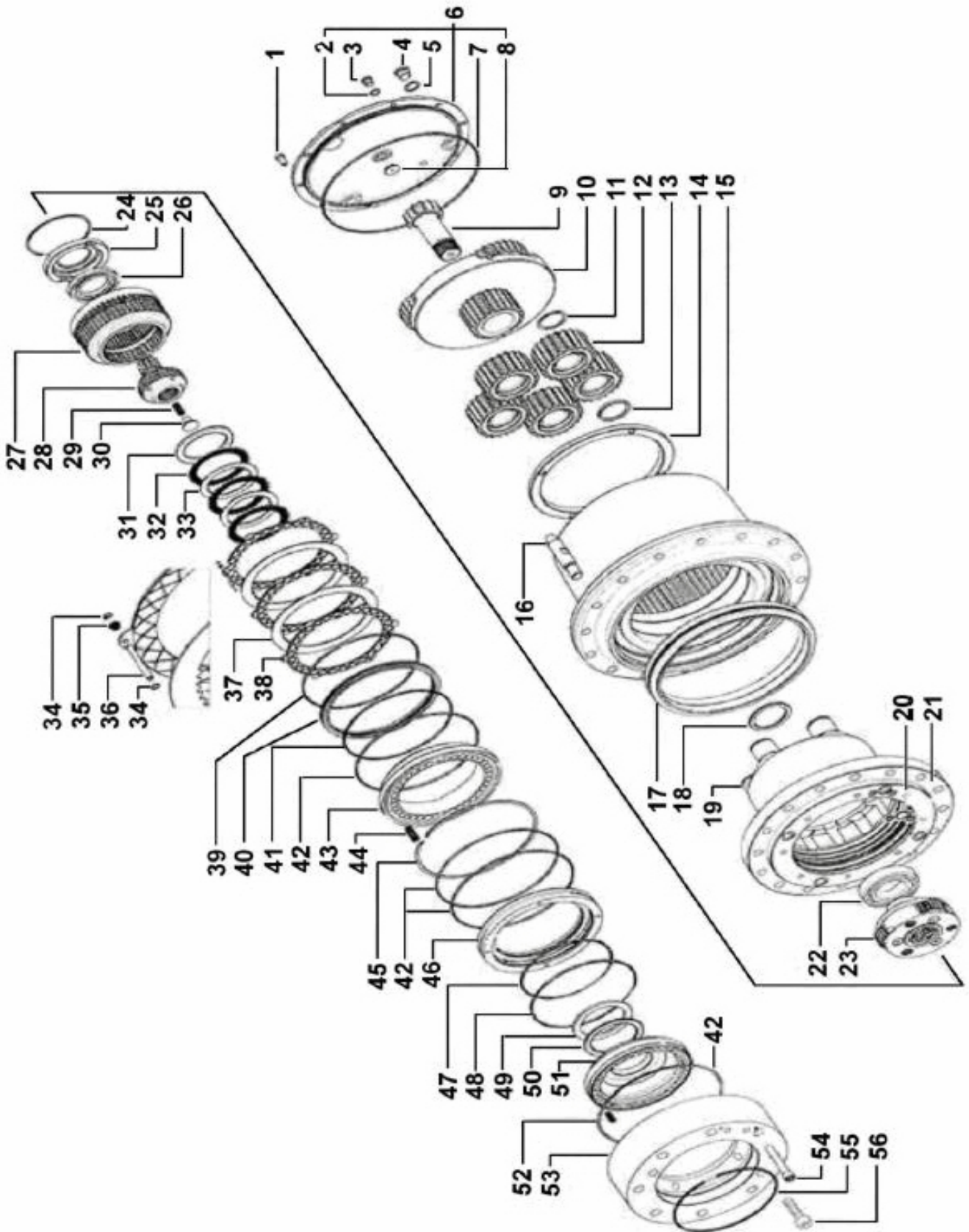


Refer to Parts Online for the most up to date information. The printed information might be outdated.

Wed Oct 21 02:01:02 MDT 2015

Item	Part No.	Name	Qty	L	SN INFO
1	D717170600	Gearbox, track drive	1		
2	4812243353	Adapter plate	1		
3	4812223298	Hexagon screw	16		
4	D939776129	Locking washer	16		
5	4700791541	Adapter	2		

Track group paver RH D717170600 Gearbox, track drive



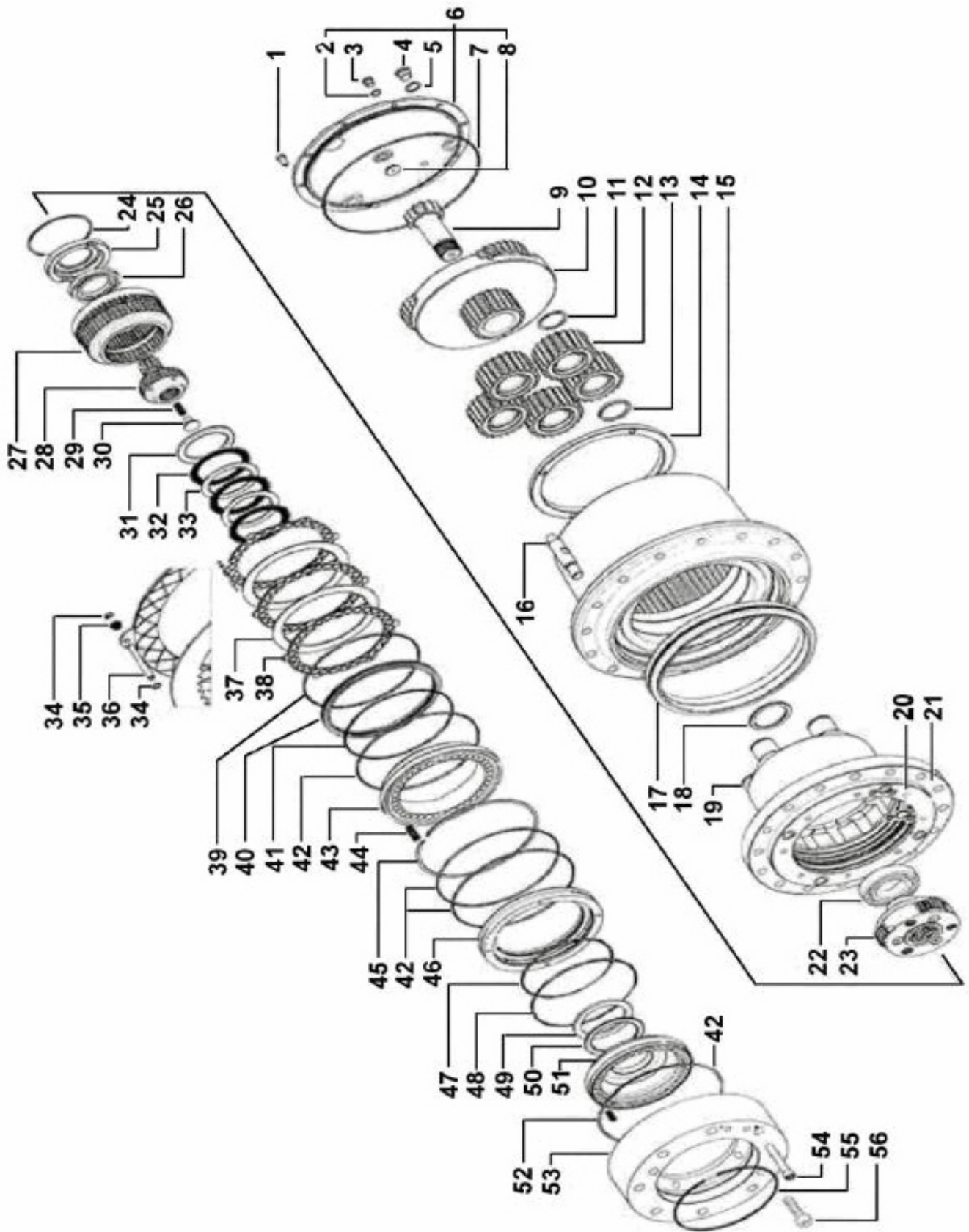
Refer to Parts Online for the most up to date information. The printed information might be outdated.

Wed Oct 21 02:01:03 MDT 2015

Item	Part No.	Name	Qty	L	SN INFO
1	D717951156	Screw	1		
2	D717951163	Washer	1		
3	D717951170	Plug	1		
4	D717951177	Plug	1		
5	D717951184	Washer	1		
6	D717951191	Cover	1		
7	D717951198	O-ring	1		
8	D717951205	Pad	1		
9	D717951212	Gear	1		
10	D717951219	Reduction	1		
11	D717951317	Circlip	1		
12	D717951324	Planetary	1		
13	D717951331	Spacer	1		
14	D717951338	Nut	1		
15	D717951345	Housing and bearing	1		
16	D717951352	Pin	1		
17	D717951359	Seal	1		
18	D717951366	Ring	1		
19	D717951373	Hub	1		
20	D717951380	O-ring	1		
21	D717951387	O-ring	1		
22	D717951394	Bearing	1		
23	D717951401	Reduction	1		
24	D717951408	Circlip	1		
25	D717951415	Spring retaining plate	1		
26	D717951422	Bearing	1		
27	D717951429	Ring	1		
28	D717951436	Gear	1		
29	D717951443	Spring	1		
30	D717951450	Disc	1		
31	D717951457	Spacer	1		
32	D717951464	Disc	1		
33	D717951471	Disc	1		
34	D717951478	Circlip	1		
35	D717951485	Spring	1		
36	D717951492	Pin	1		
37	D717951499	Disc	1		

Refer to Parts Online for the most up to date information. The printed information might be outdated.

Wed Oct 21 02:01:03 MDT 2015

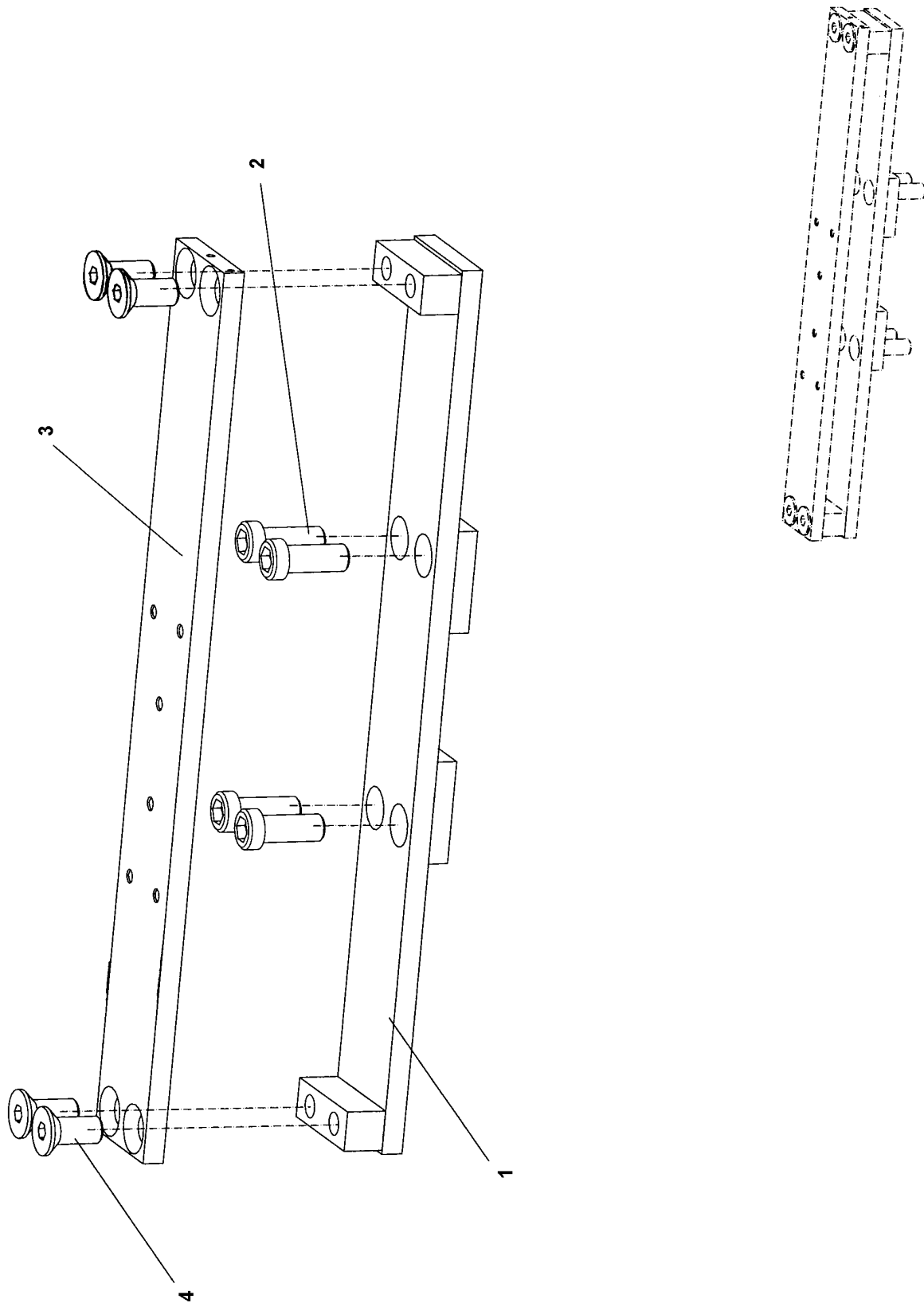


Refer to Parts Online for the most up to date information. The printed information might be outdated.

Wed Oct 21 02:01:03 MDT 2015

Item	Part No.	Name	Qty	L	SN INFO
38	D717951506	Disc	1		
39	D717951513	O-ring	1		
40	D717951520	Spacer	1		
41	D717951527	O-ring	1		
42	D717951534	O-ring	1		
43	D717951541	Piston	1		
44	D717951548	Spring	1		
45	D717951555	Circlip	1		
46	D717951562	Spacer	1		
47	D717951569	O-ring	1		
48	D717951576	O-ring	1		
49	D717951583	Thrust washer	1		
50	D717951590	Bearing	1		
51	D717951597	Piston	1		
52	D717951604	Spring	1		
53	D717951611	Adapter	1		
54	D717951618	Screw	1		
55	D717951625	O-ring	1		
56	D717951632	Screw	1		

Track group paver RH Arm bracket assembly

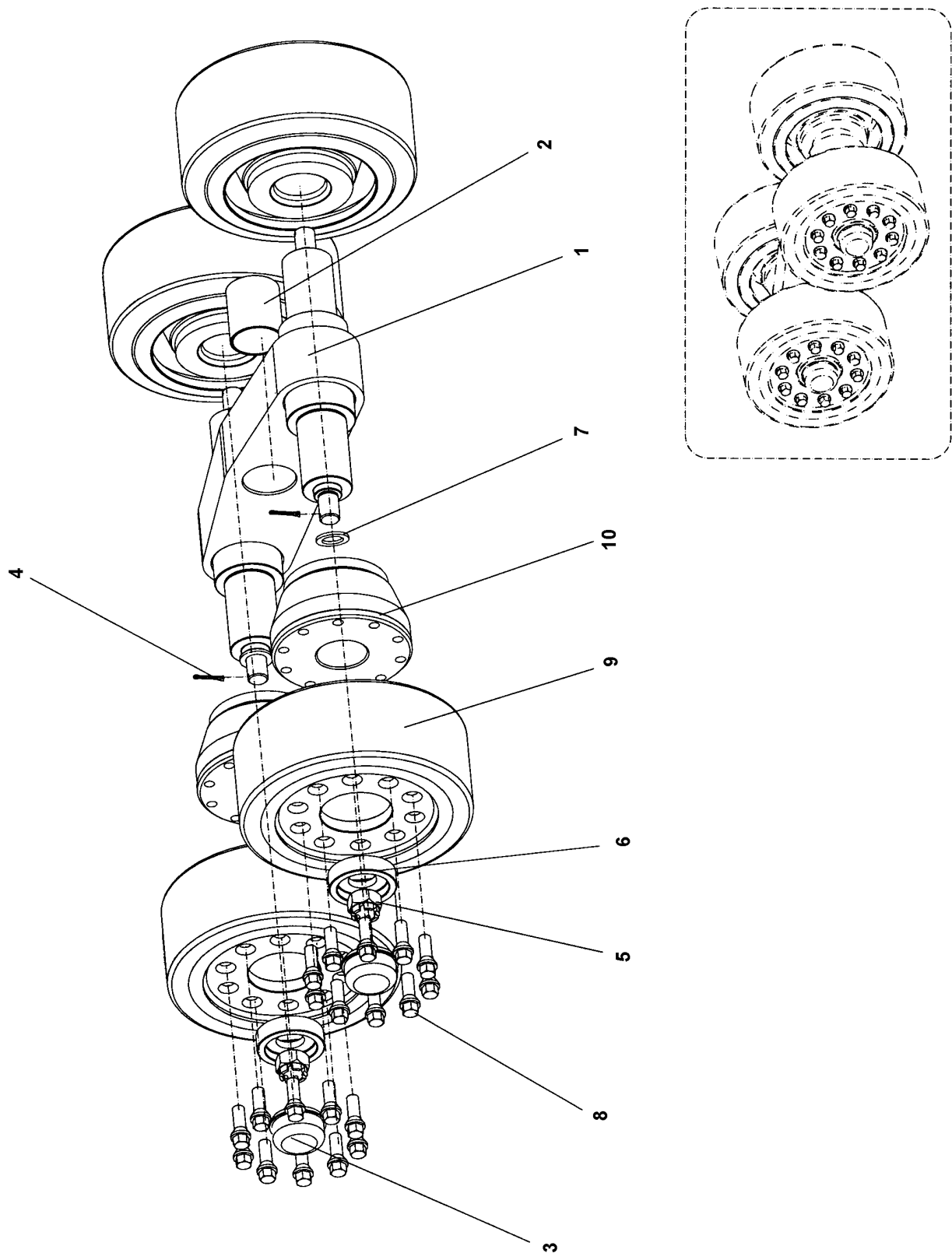


Refer to Parts Online for the most up to date information. The printed information might be outdated.

Wed Oct 21 02:01:03 MDT 2015

Item	Part No.	Name	Qty	L	SN INFO
1	4812243588	Arm retainer	1		
2	4812223301	Hexagon socket head cap screw	4		
3	4812243590	Cover, arm bracket	1		
4	4812223289	Screw	4		

Track group paver RH Bogie assembly

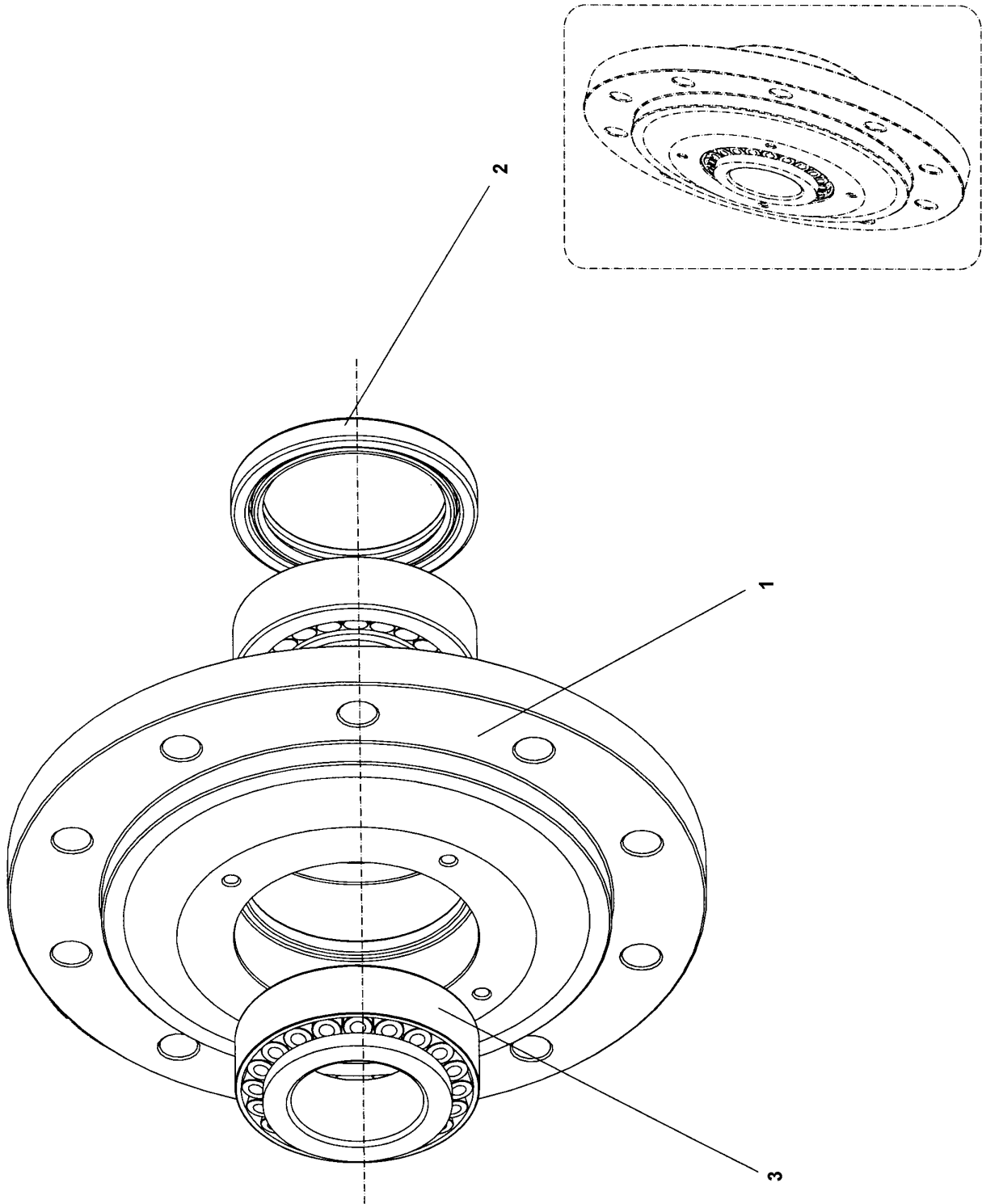


Refer to Parts Online for the most up to date information. The printed information might be outdated.

Wed Oct 21 02:01:04 MDT 2015

Item	Part No.	Name	Qty	L	SN INFO
1	4812243332	Bogie spindle	1		
2	D717170547	Bushing, bogie	1		
3	D717170603	Dust cap	4		
4	4812241125	Split pin	4		
5	4812045878	Crown nut	4		
6	4812223144	Washer	4		
7	4700904234	Steel plain washer	4		
8	D717170626	Wheel lug bolt, M14	40		
9	4812243327	Bonded roller wheel	4		
10	4812245852	Bearing, bogie wheel	4		

Track group paver RH Hub, idler wheel assembly

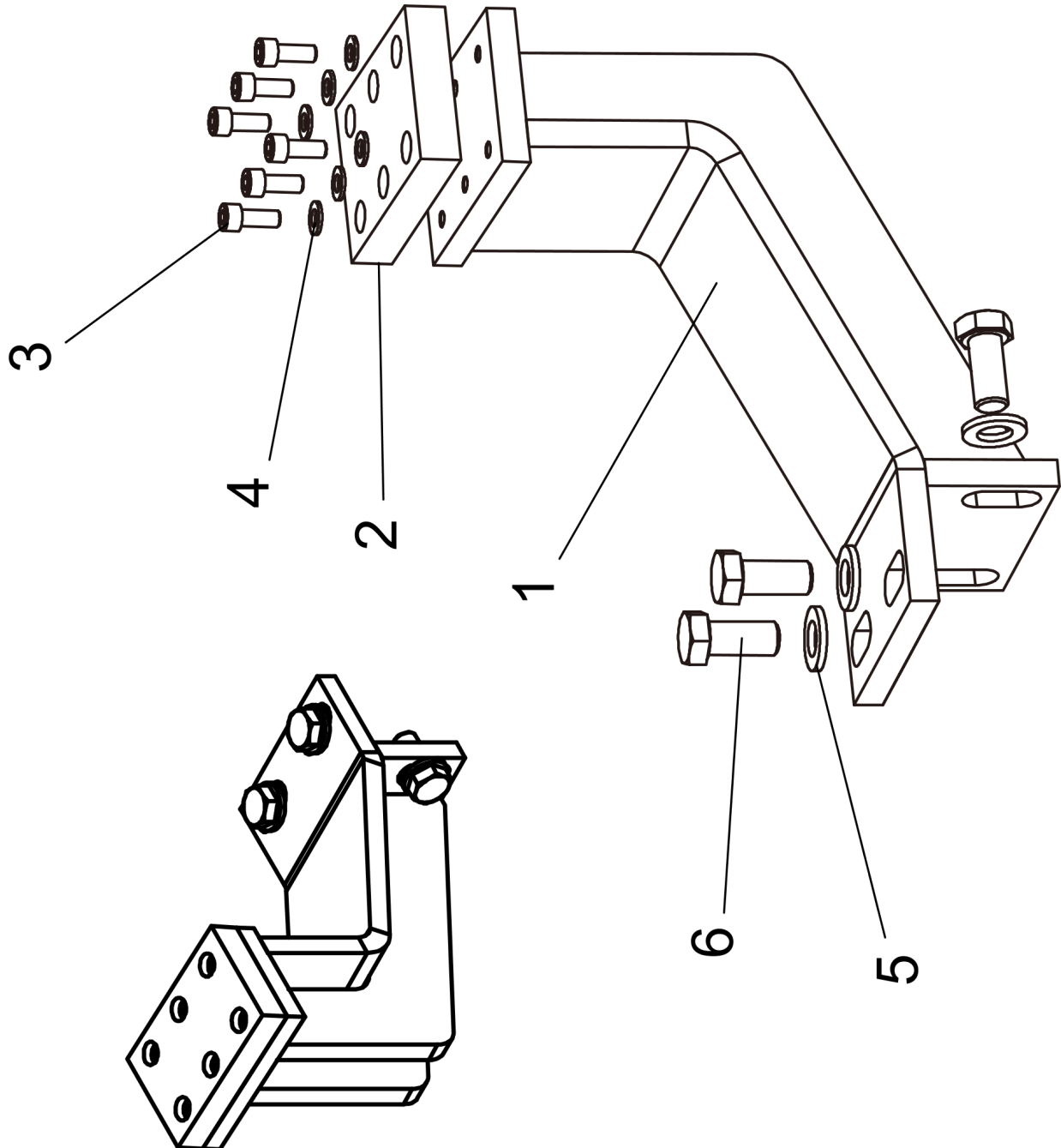


Refer to Parts Online for the most up to date information. The printed information might be outdated.

Wed Oct 21 02:01:04 MDT 2015

Item	Part No.	Name	Qty	L	SN INFO
1	4812243335	Hub, idler wheel	1		
2	D717170628	Seal	1		
3	D717170629	Tapered roller bearing	2		

Track group paver RH Bracket for hopper RH

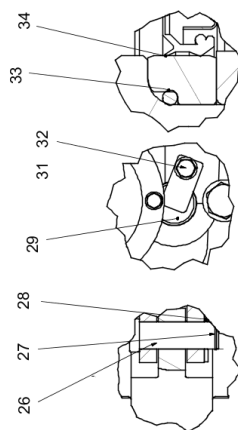
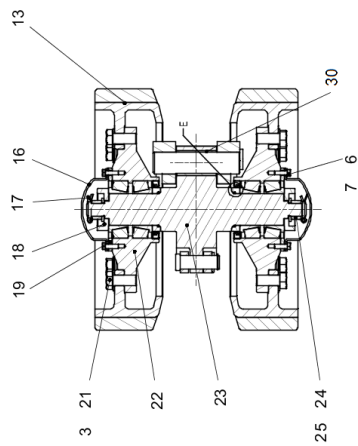
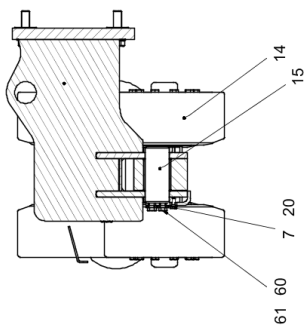
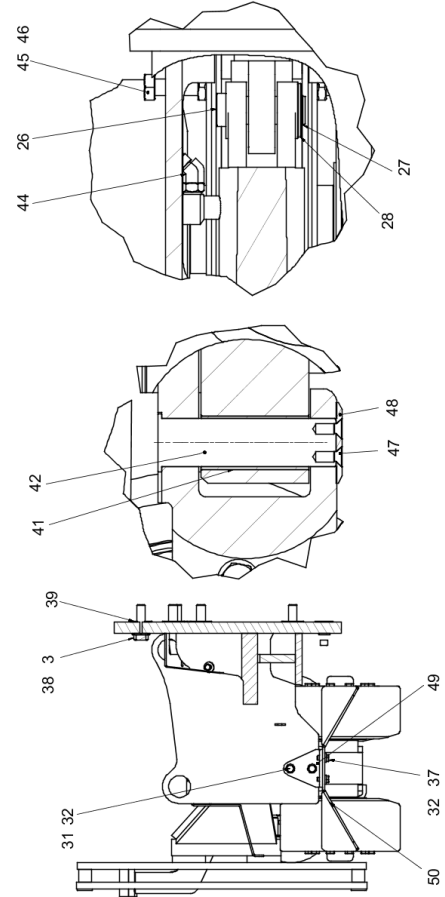
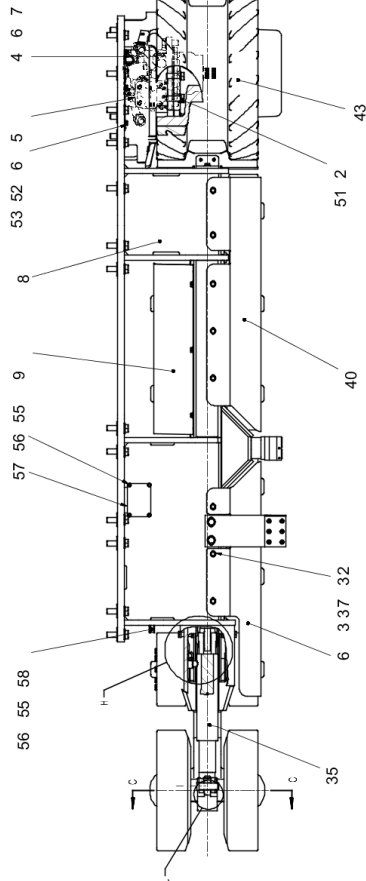
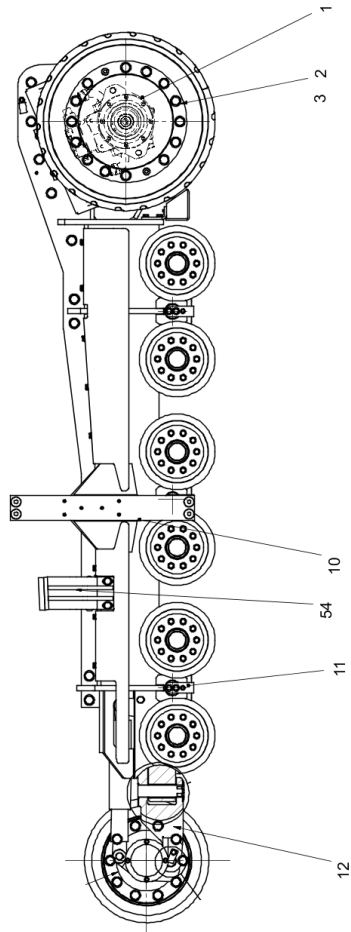


Refer to Parts Online for the most up to date information. The printed information might be outdated.

Wed Oct 21 02:01:05 MDT 2015

Item	Part No.	Name	Qty	L	SN INFO
1	4812246755	Bracket for hopper RH	1		
2	4812246756	Rubber plate	1		
3	0211132303	Hex sock screw	6		
4	0301233500	Washer DIN125	6		
5	D939776124	Washer	4		
6	0147147603	Hex. head screw M16 x 35	4		

Track group paver LH Track group paver LH



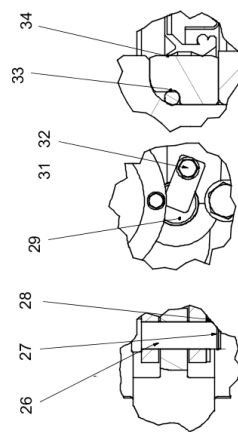
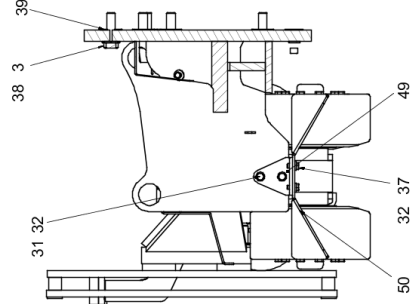
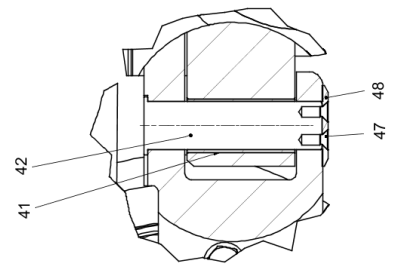
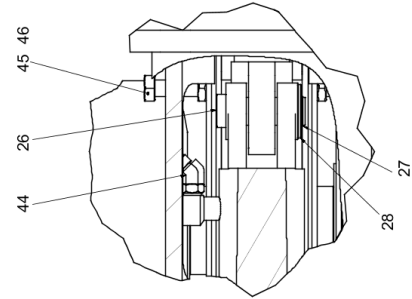
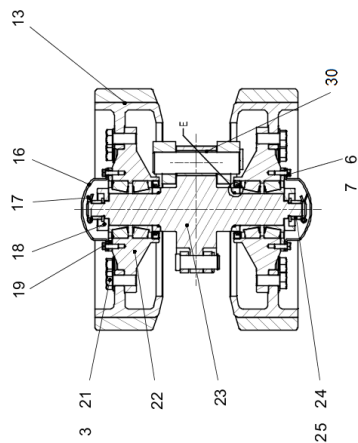
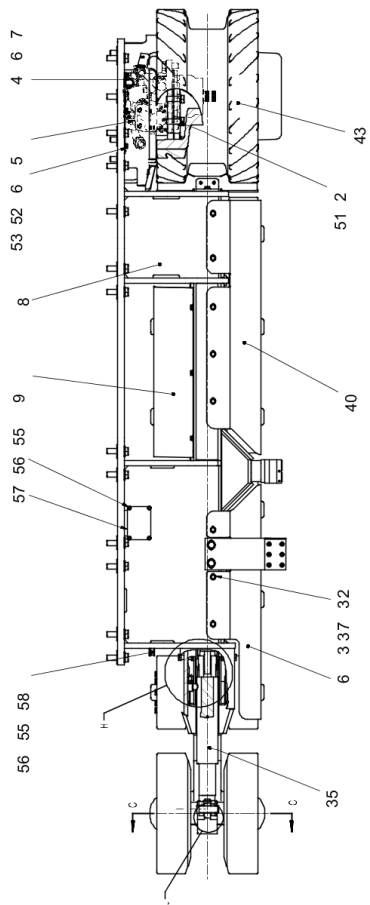
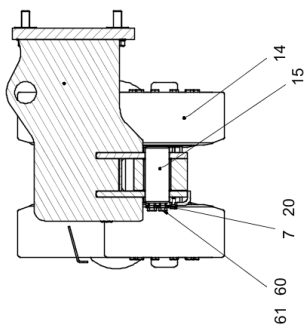
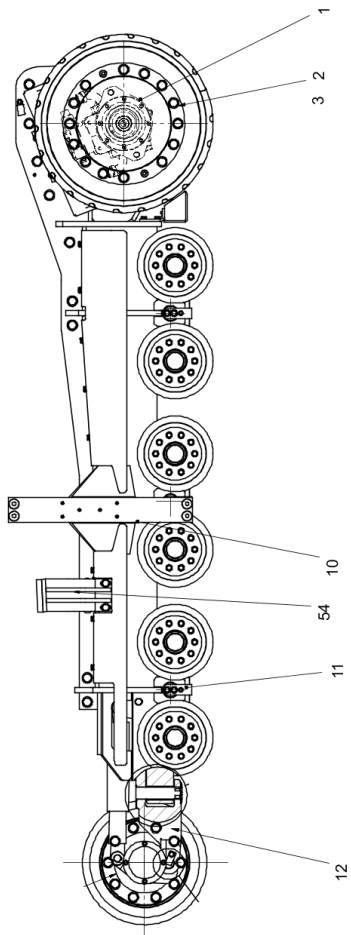
Refer to Parts Online for the most up to date information. The printed information might be outdated.

Wed Oct 21 02:01:06 MDT 2015

Item	Part No.	Name	Qty	L	SN INFO
1		Drive sub assembly	1		
2	5531089300	Hexagon head screw	30		
3	D939776129	Locking washer	58		
4	4812034975	Pipe clamp	1		
5	4812243330	Rubber plate	1		
7	D939776113	Washer	13		
8	4812243420	Track frame, LH	1		
9	4812243381	Inner track guard	1		
10		Arm bracket assembly	1		
11	4812248613	Lock plate	3		
12	4812245722	Idler frame	1		
13	4812243336	Bonded idler wheel	2		
14		Bogie assembly	3		
15	4812223125	Pin, bogie	3		
16	4812223131	Cover,dust, bolt	2		
17	4812241125	Split pin	2		
18	4812223144	Washer	2		
19	4812240808	Spacer	2		
20	0147110836	Hexagon head screw	3		
21	4812223296	Hexagon bolt	20		
22		Hub, idler wheel assembly	2		
23	4812223141	Block, tensioner	1		
24	4700904234	Steel plain washer	2		
25	4812045878	Crown nut	2		
26	4812223435	Pin, tensioning cylinder bore end	1		
27	4812223436	Ring, external retaining	2		
28	4812242606	Washer	1		
29	4812223138	Weldment, track tensioner pin	1		
30	4812242270	Bushing, tensioner	1		
31	4812223284	Hexagon bolt	3		
32	D939776115	Washer	16		
33	D717170630	O-ring	2		
34	4812223133	Spacer, seal, idler wheel hub	2		
35	4812249596	Cylinder, track tension	1		
01	4812313153	Cylinder 4812249596 seal kit	1		
36	4812243433	Front track guard, LH	1		
37	0147136003	Hex. head screw M10 x 20	13		

Refer to Parts Online for the most up to date information. The printed information might be outdated.

Wed Oct 21 02:01:06 MDT 2015



Refer to Parts Online for the most up to date information. The printed information might be outdated.

Wed Oct 21 02:01:06 MDT 2015

Item	Part No.	Name	Qty	L	SN INFO
38	D938170982	Hex. screw	24		
39	4812223152	Shim kit	24		
40	4812243432	Rear track guard, LH	1		
41	4812223132	Bushing	1		
42	4812223128	Pin, tension	1		
43	4812244174	Bonded drive wheel LH	1		
44	4812116050	Adapter	1		
45	4812223292	Hexagon bolt	2		
46	4812223285	Hexagon nut	2		
47	0216195773	Countersunk screw	2		
48	4812223129	Retainer, tension assembly	1		
49	4812223153	Dirt guard support	1		
50	4812243408	Dirt guard	1		
51	4749901853	Washer	16		
52	0300013040	Flat washer	4		
53	4812240307	Washer	4		
54		Hopper bracket LH	1		
55	0300013026	Flat washer	5		
56	0147124603	Screw	5		
57	4812247557	Cover plate for track frame	1	A	
58	4700921028	Pipe clamp	1		
59		Oil	3		
60	4812223500	Bolt	6		
61	D939776117	Flat washer	6		
62	4812203481	Pin	1		
63	4812204457	Safe bracket	1	B	

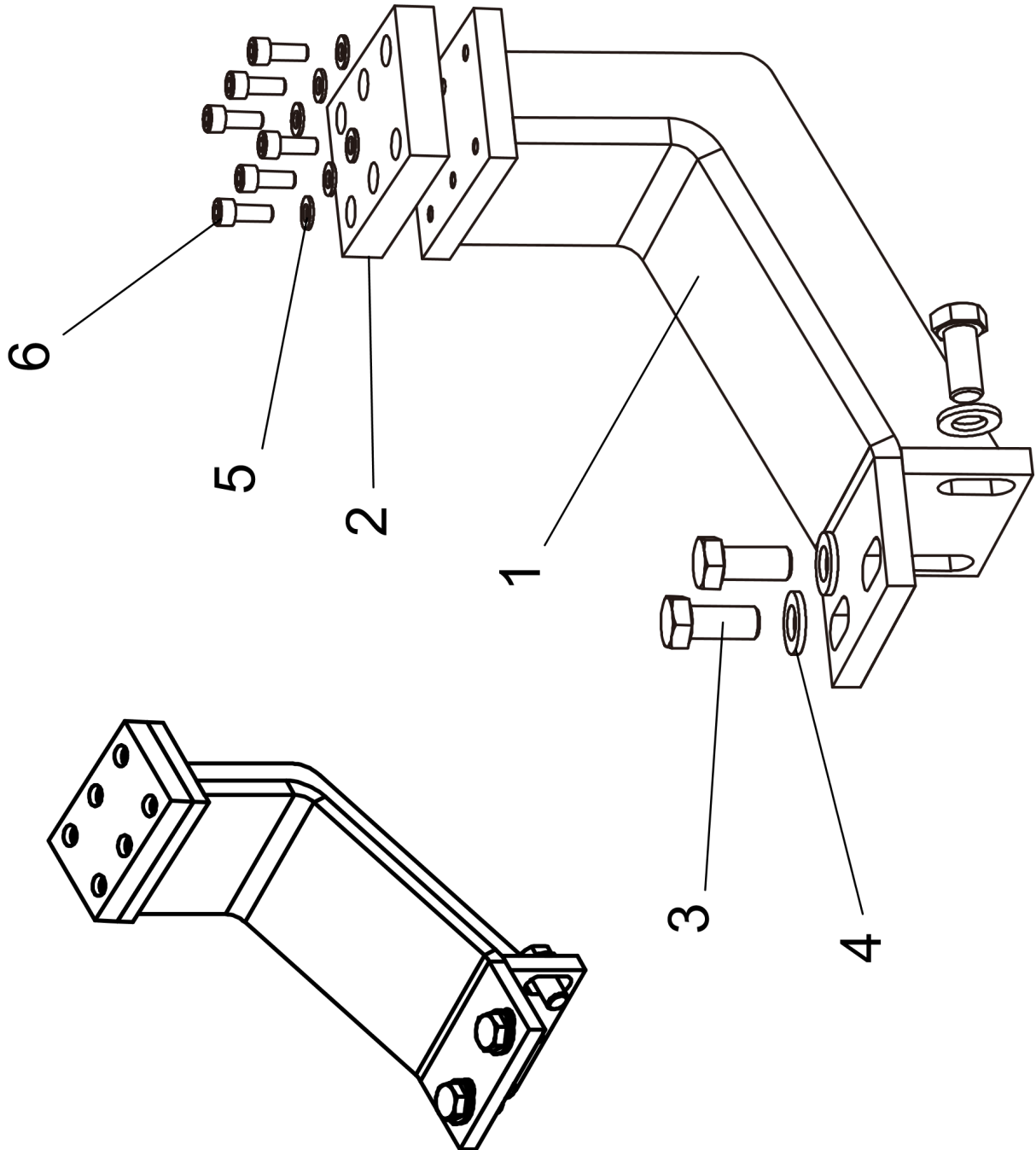
Comments for Page: Track group paver LH

(L)OCAL REMARK

A | Add item 4812247557 from SN: 10002133TFC004579

B | Add item 4812204457 from SN:

Track group paver LH 4812246746 Bracket for hopper LH

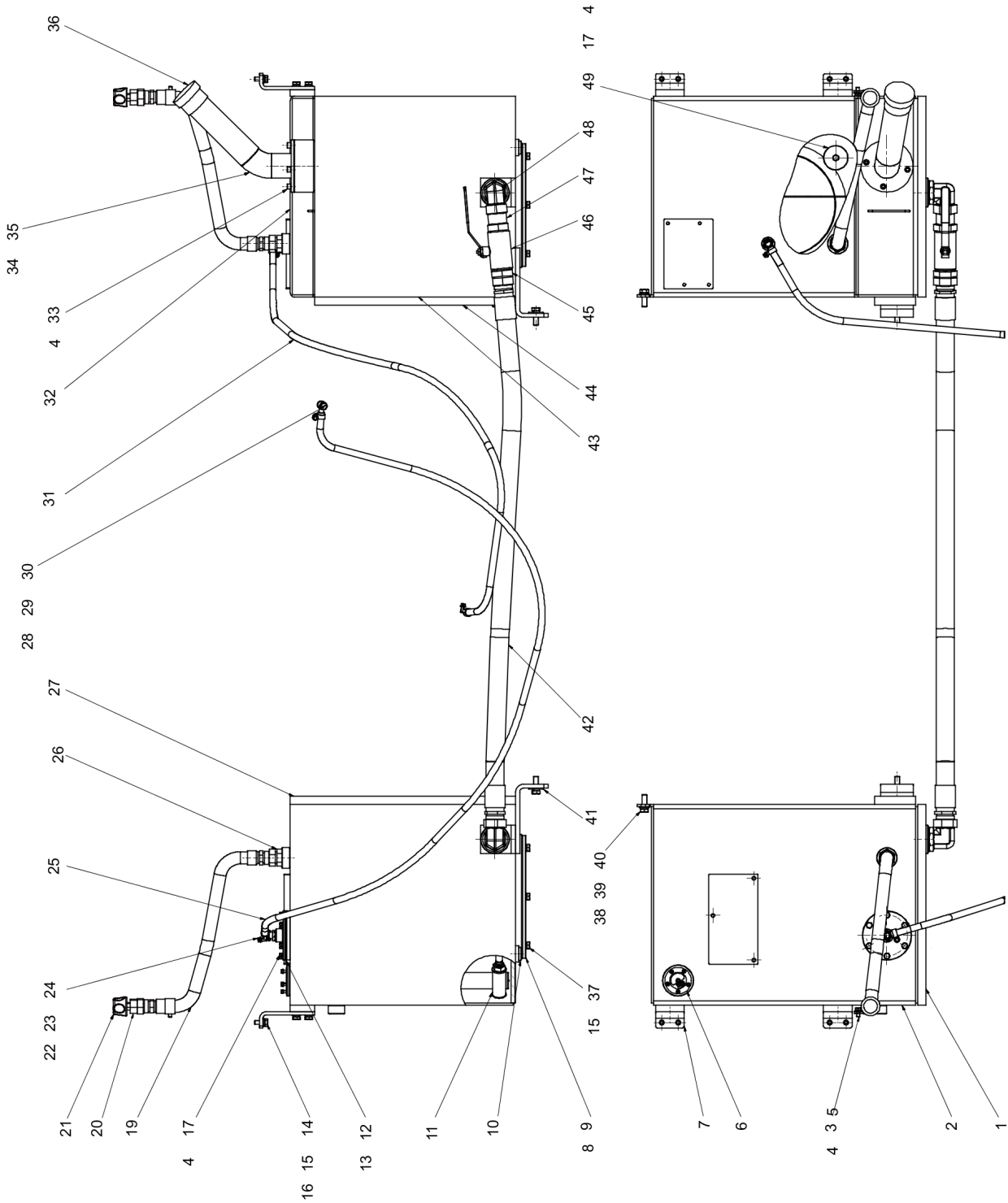


Refer to Parts Online for the most up to date information. The printed information might be outdated.

Wed Oct 21 02:01:07 MDT 2015

Item	Part No.	Name	Qty	L	SN INFO
1	4812246747	Bracket for hopper LH	1		
2	4812246756	Rubber plate	1		
3	0147147603	Hex. head screw M16 x 35	4		
4	D939776124	Washer	4		
5	0301233500	Washer DIN125	6		
6	0211132303	Hex sock screw	6		

Hydraulic system Fuel tank assembly



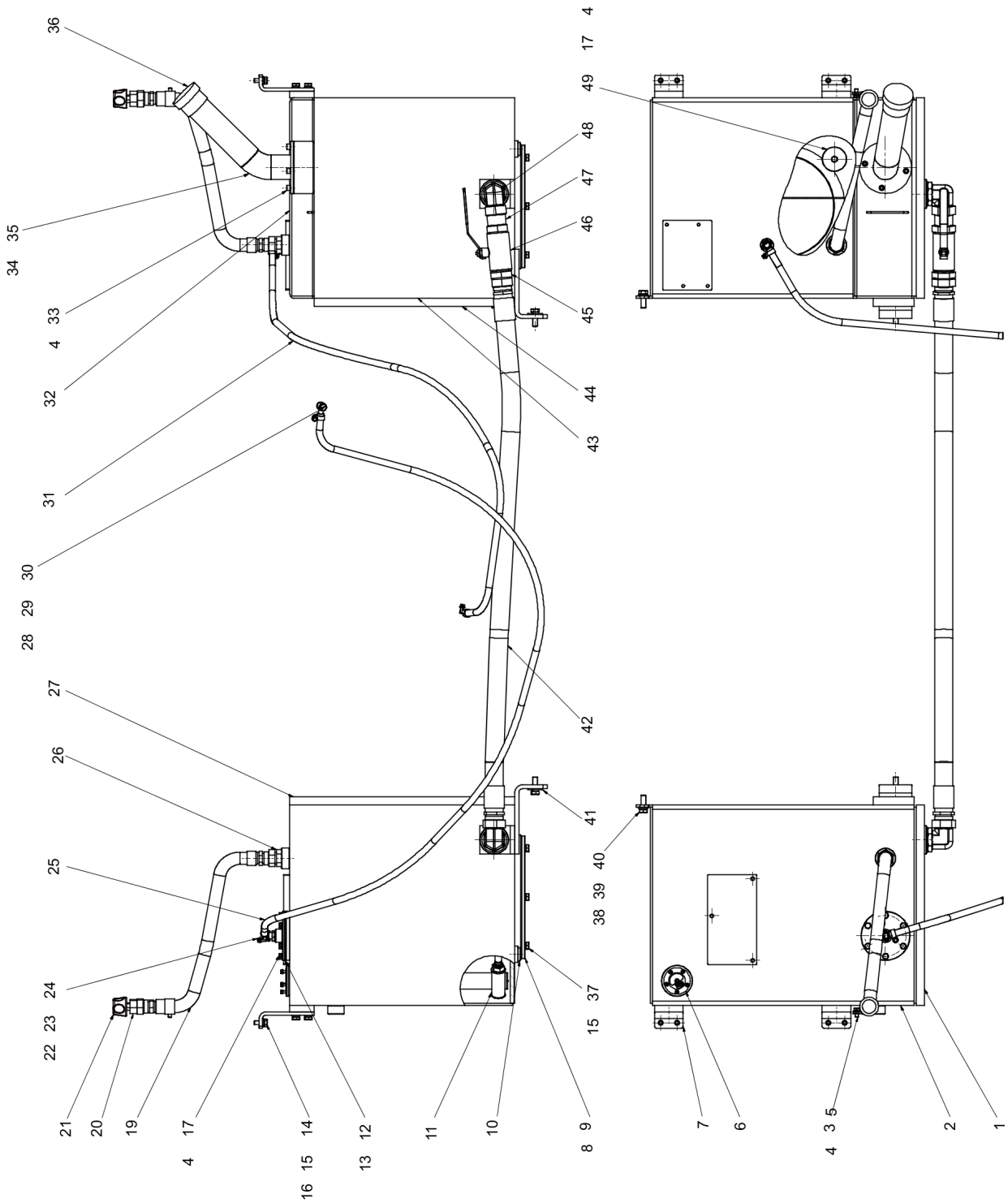
Refer to Parts Online for the most up to date information. The printed information might be outdated.

Wed Oct 21 02:01:11 MDT 2015

Item	Part No.	Name	Qty	L	SN INFO
1	4812248680	Heat-insulation cotton T=20mm	1		
2	4812245424	Fuel tank	1		
3	0147132203	Hex. head screw M8 x 16	2		
4	4812240307	Washer	14		
5	4812034975	Pipe clamp	2		
6	4812248679	Level sensor	1		
7	4812247073	Bend plate	4		
8	4812247059	Fuel tank cap	2		
9	4812247075	Sealing gasket	2		
10	4812241157	Plug	2		
11	4812240569	Fuel filter	1		
12	4812245414	Fuel inlet pipe	1		
13	4812245416	Sealing gasket	1		
14	0147136203	Hex head screw M10 x 25	24		
15	4812240226	Washer	12		
16	0301234400	Plain washer M10.5/22	24		
17	0147132303	Screw DIN933	8		
19	4812245426	Breather hose	2		
20	4812249608	Fitting	2		
21	4812247450	Breather	2		
22	4700792603	Quick connect coupling	2		
23	4700792526	Quick connect system for fuel	2		
24	D934400009	Clamp	4		
25		Fuel inlet hose, L=2500mm	2500	A, B	
26	4812245422	Fitting	2		
27	4812248683	Heat-insulation cotton T=20mm	1		
28	4812200447	Fitting, M14X1.5 to 3/8 hose	1		
29	4812200448	Sealing for fitting	2		
30	4812200449	Hollow screw, M14X1.5	1		
31		Fuel hose	1250	A	
32	4812245429	Fuel tank	1		
33	0211132303	Hex sock screw	4		
34	4812223208	Gasket, filler neck, fuel	1		
35	4812223204	Filler neck, top	1		
36	D717083521	Fuel cap	1		
37	0147136003	Hex. head screw M10 x 20	12		
38	0301235800	Plain washer 13 x 24 x 2.5	2		

Refer to Parts Online for the most up to date information. The printed information might be outdated.

Wed Oct 21 02:01:11 MDT 2015



Refer to Parts Online for the most up to date information. The printed information might be outdated.
Wed Oct 21 02:01:11 MDT 2015

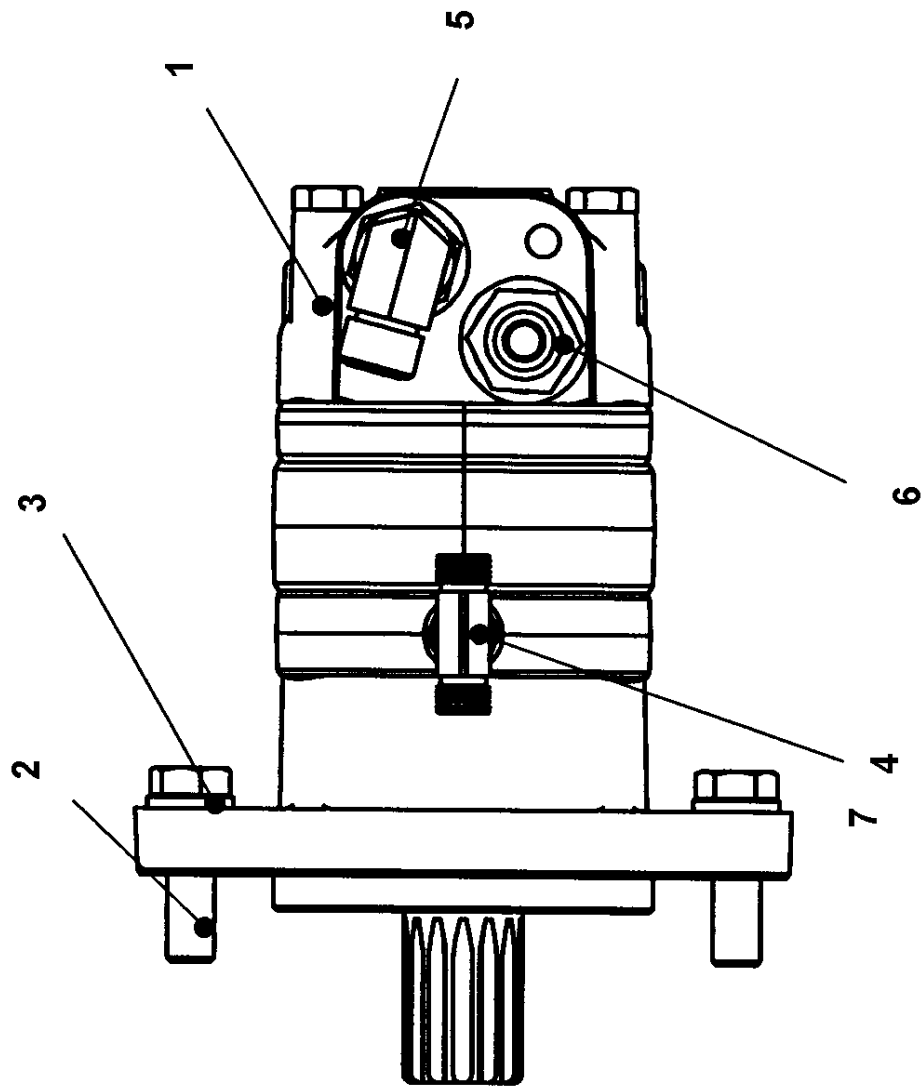
Item	Part No.	Name	Qty	L	SN INFO
39	4812240197	Washer	4		
40	0147140203	Hex. head screw M12 x 35	4		
41	0300013042	Flat washer	2		
42	4812245418	Hose	1		
43	4812248681	Heat-insulation cotton T=20mm	1		
44	4812248682	Heat-insulation cotton T=20mm	1		
45	4812245419	Fitting	1		
46	4812245413	Ball valve	1		
47	4812245421	Fitting	1		
48	4812245417	Connector elbow	2		
49	4812241158	Magnet block	2		
50		Diesel	120		

Hydraulic component assembly Hydraulic component assembly

NO EXPLODED VIEW
AVAILABLE
FOR THIS BOM

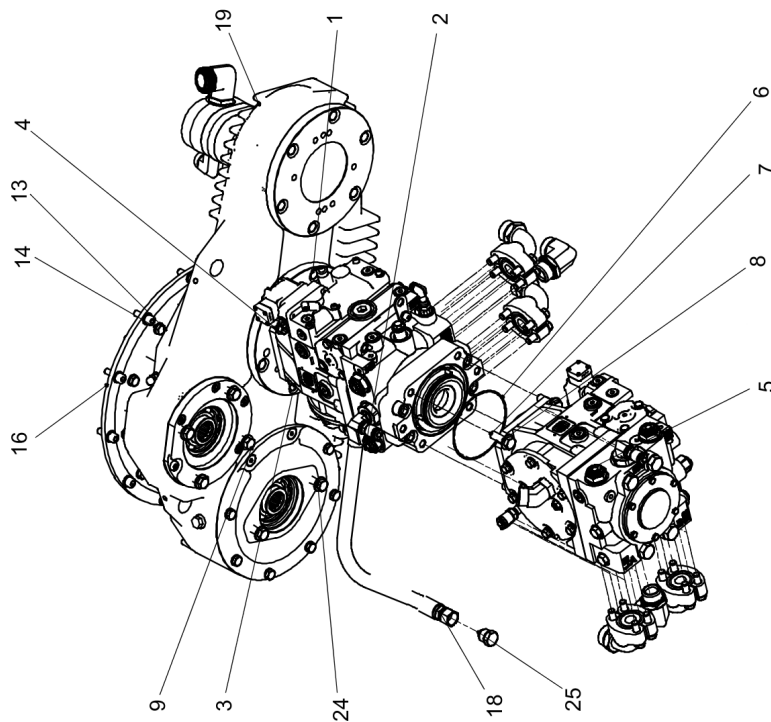
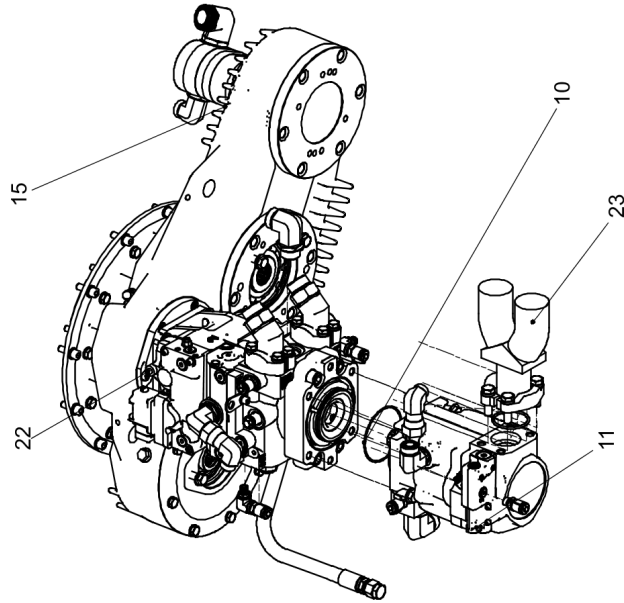
Item	Part No.	Name	Qty	L	SN INFO
1		Motor and gearbox	2		
2		Pump drive complete	1		
3		Auger motor assembly	2		
4		Drive motor assembly	2		
5		Fan motor assembly	1		
6		Generator motor assembly	1		
12		Hydraulic tank assembly	1		
16		Accumulator assembly	1		
17		Case drain block assembly	1		
18	4812114189	Adapter	2		
19		Return manifold assembly	1		
20	4812220864	Clamp, stauff	2		
22	D934362030	Clamp	4		
25	4812245007	Tube	2		
26	4812245008	Tube	2		
29		Connector plate assembly	2		
32		Drive motor adapter	1		
33	4812248090	Hose kit, hydraulic F800	1		
35		Filter assembly	1		
38		F800 front main valve	1		
39		F800 rear hic standard	1		
40		Hic, propel gearbox & pump	1		
41		Hic, vibration & fan assembly	1		
42		Support plate assembly	1		
43	4812240631	Oil	260		

Hydraulic component assembly Motor and gearbox



Item	Part No.	Name	Qty	L	SN INFO
1	D717061035	Motor	1		
2	D717800729	Screw, 1/2'	2		
3	4812223878	Washer	2		
4	4700791744	Adapter	1		
5	4700792133	Adapter	1		
6	4700791410	Straight o-ring connector	1		
7	4812245466	Adapter	1		

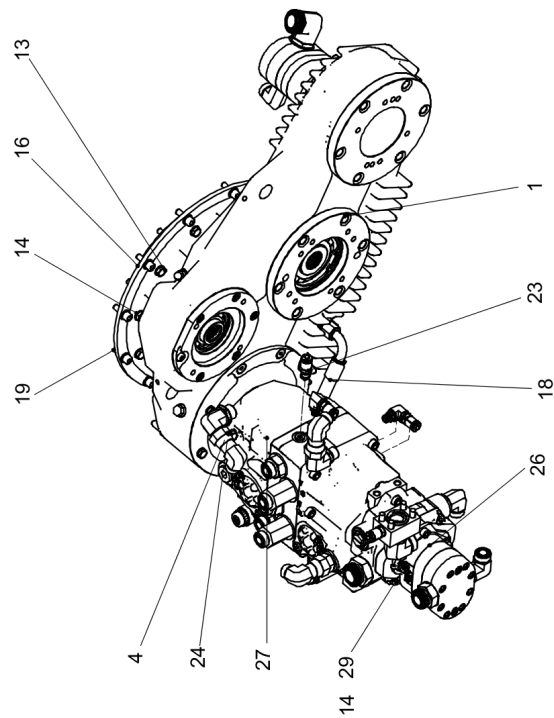
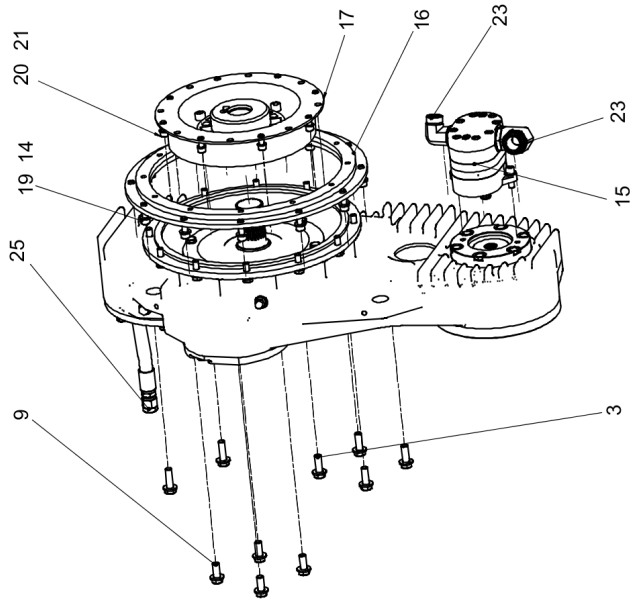
Pump drive complete Pump drive complete



Refer to Parts Online for the most up to date information. The printed information might be outdated.

Wed Oct 21 02:01:13 MDT 2015

Item	Part No.	Name	Qty	L	SN INFO
1	4812200078	Pump drive gear box	1		
2	D717191000	Pump, propel front	1		
3	D717801688	Screw, M12	4		
4	D717801128	Washer, 12mm	10		
5	D717191500	Pump, propel rear	1		
6	D717190001	O-ring	1		
7	D717800736	Screw, 1/2'	8		
8	D717801086	Flat washer, 0.5'	8		
9	D717801681	Screw, M12	4		
10	D717190002	O-ring, 154	1		
11	4812245439	Pump, conveyor / work	1		
12	D717190003	O-ring, 152	1		
13	D717800484	Screw, M10	12		
14	D717801135	Washer, 10mm	30		
15	4812222519	Gear pump, fan drive	1		
16	D717190004	Adapter, pump drive housing	1		
17	4812247428	Coupling, flywheel flexplate	1		
18	D717190006	Hose assembly	1		
19	D717800757	Screw, M10	16		
20	0211220554	Screw	8		
21	0333310024	washer	8		
22	D717193500	Pump, generator	1		
23		Fittings, assembly	1		
24	4812200436	Cap screw, M12	2		
25	D717801877	Plug, 10	1		
26	4812243624	Tandem pump	1		
27	4812243623	Tandem pump gear	1		
28	4812240633	Oil	5.3		
29	D938970278	Screw	2		

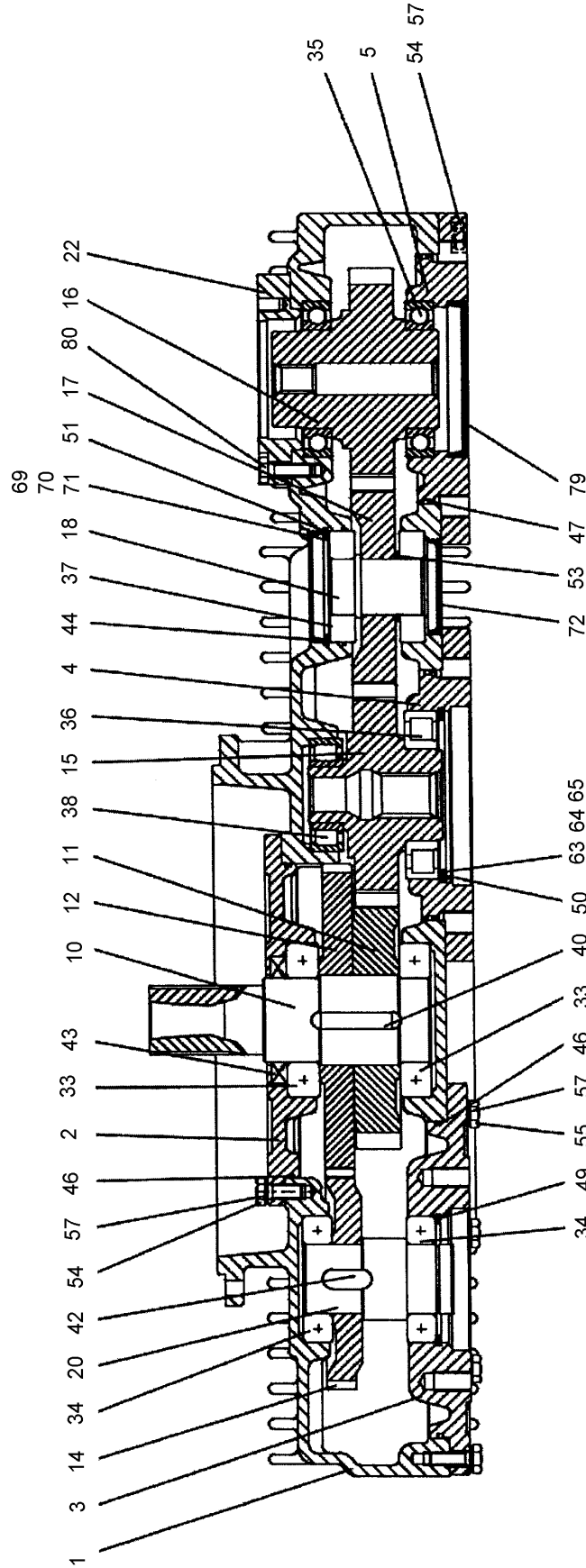


Refer to Parts Online for the most up to date information. The printed information might be outdated.

Wed Oct 21 02:01:14 MDT 2015

This page intentionally left blank

Pump drive complete 4812200078 Gear box, splitter



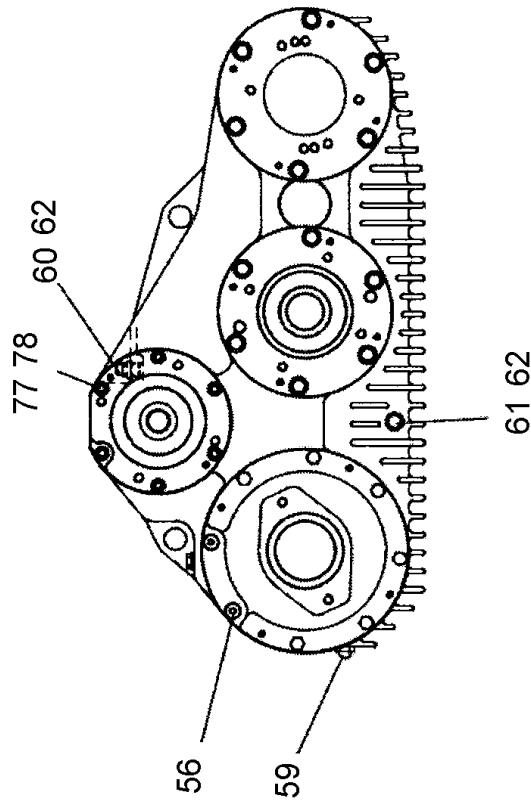
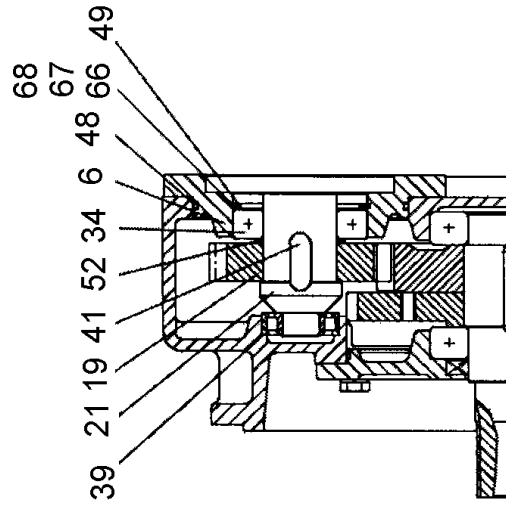
Refer to Parts Online for the most up to date information. The printed information might be outdated.

Wed Oct 21 02:01:15 MDT 2015

Item	Part No.	Name	Qty	L	SN INFO
1	4812222410	Housing	1		
2	4812222411	Flange	1		
3	4812222412	Flange	1		
4	4812222413	Flange	1		
5	4812222542	Flange	1		
6	4812222414	Flange	1		
10	4812222416	Output shaft	1		
11	4812222417	Spur gear	1		
12	4812222418	Spur gear	1		
14	4812222420	Spur gear	1		
15	4812222464	Spur gear	1		
16	4812222465	Spur gear	1		
17	4812222466	Spur gear	1		
18	4812222467	Shaft	1		
19	4812222422	Spur gear	1		
20	4812222423	Hollow shaft	1		
21	4812222424	Hollow shaft	1		
22	4812222468	Flange	1		
33	4812222426	Ball bearing	2		
34	4812222427	Ball bearing	3		
35	4812222469	Ball bearing	2		
36	4812222428	Bearing	1		
37	4812222470	Bearing	2		
38	4812222429	Bearing	1		
39	4812222430	Bearing	1		
40	4812222431	Key	1		
41	4812222432	Key	1		
42	4812222433	Key	1		
43	4812222434	Radial shaft seal	1		
44	4812222435	Plug	1		
46	4812222436	O-ring	2		
47	4812222437	O-ring	2		
48	4812222438	O-ring	1		
49	4812222439	Retaining ring	2		
50	4812222440	Retaining ring	1		
51	4812222441	Retaining ring	3		
52	4812222442	Supporting plate	1		

Refer to Parts Online for the most up to date information. The printed information might be outdated.

Wed Oct 21 02:01:15 MDT 2015

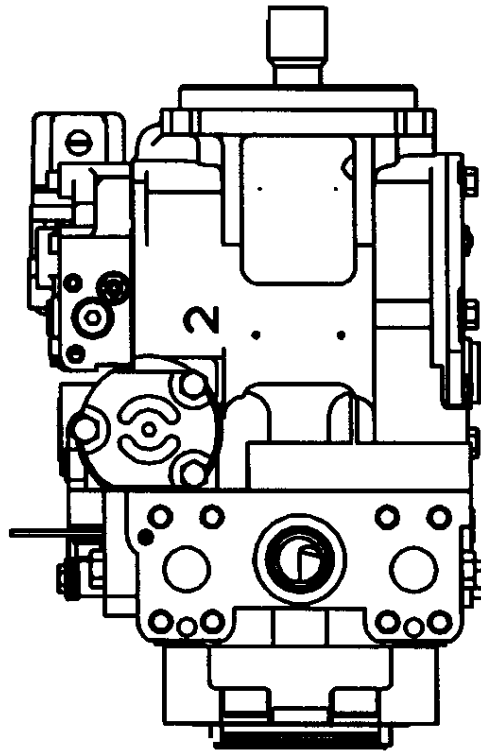
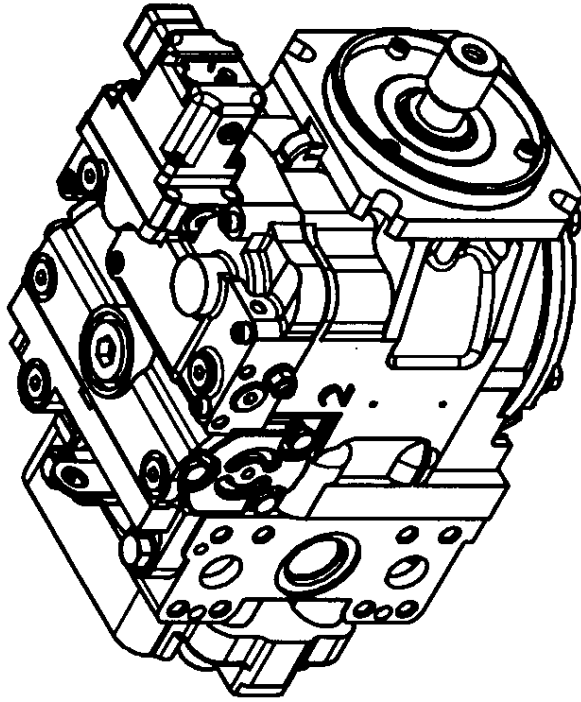


Refer to Parts Online for the most up to date information. The printed information might be outdated.

Wed Oct 21 02:01:15 MDT 2015

Item	Part No.	Name	Qty	L	SN INFO
53	4812222471	Supporting plate	1		
54	4812222444	Hexagon bolt	18		
55	4812222445	Hexagon bolt	6		
56	4812222446	Countersunk screw	2		
57	4812222447	Spring ring	24		
59	D717954663	Sight glass	1		
60	4812222448	Breather	1		
61	4812222449	Screw plug	2		
62	4812222450	Seal	3		
63	4812222451	Shim	1		
64	4812222452	Shim	1		
65	4812222453	Shim	2		
66	4812222454	Shim	2		
67	4812222455	Shim	2		
68	4812222456	Shim	4		
69	4812222472	Shim	1		
70	4812222473	Shim	1		
71	4812222474	Shim	2		
72	4812222457	Plug	1		
73		Name plate	1		
74		Name plate	1		
75	4812222459	Taper plug	3		
76	4812222487	Taper plug	1		
77	4812222460	Screw plug	6		
78	4812222461	Spring ring	6		
79	4812222475	Plug	1		
80	4812222476	Hexagon bolt	6		

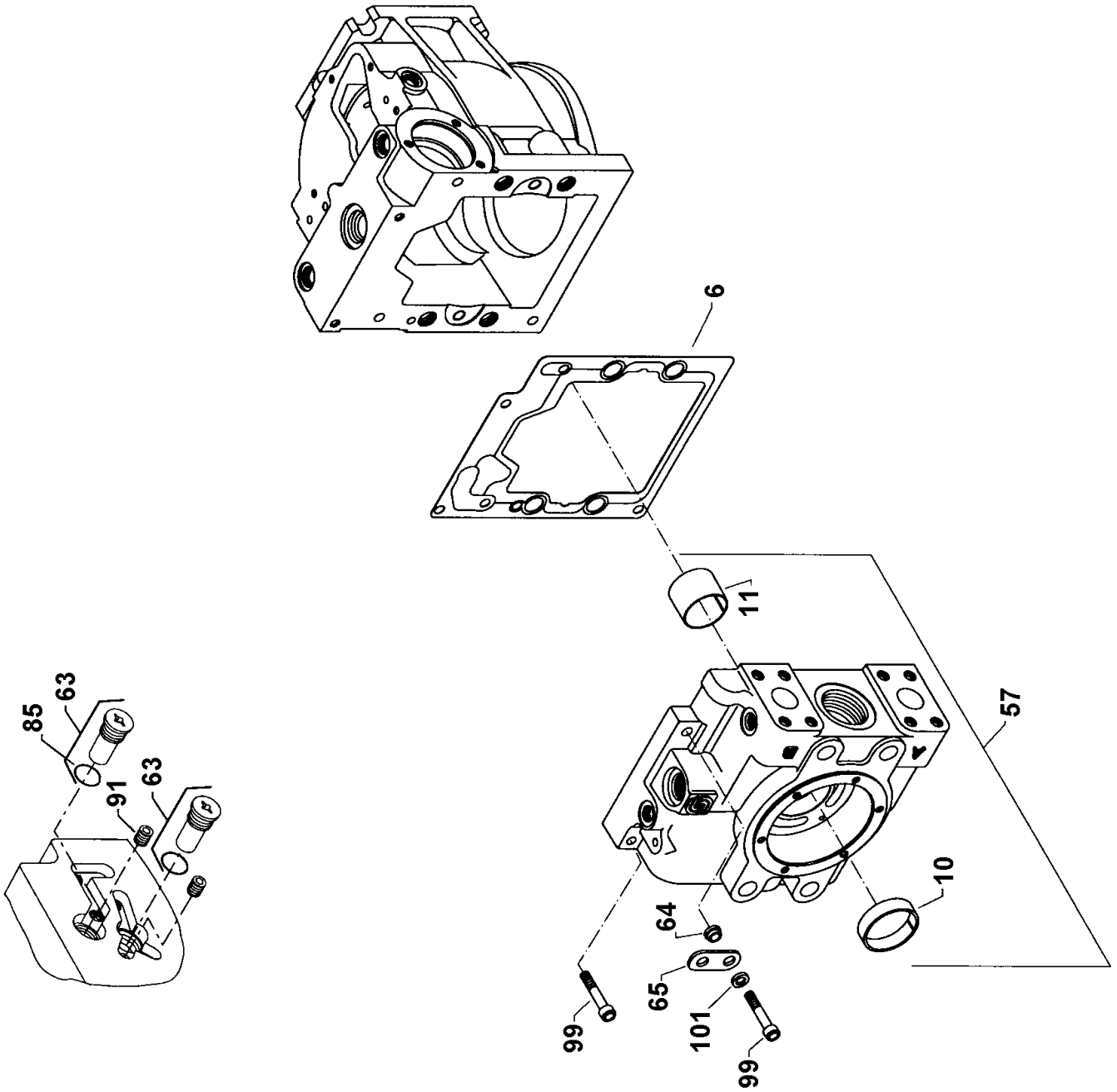
Pump drive complete D717191000 Pump, propel front, assembly



Item	Part No.	Name	Qty	L	SN INFO
1	D717950113	Ring, piston	2		
2	D717950120	Plate, valve	1		
3	D717950127	Shaft seal assembly	1		
4	D717950253	Bearing, roller	1		
5	D717950288	Charge pump set	1		
6	D717950295	Gasket	2		
7	D717950302	EDC kit	1		
8	D717950309	Multifunction valve kit	2		
9	D717950316	Cylinder block kit	1		
10	D717950323	Bushing	1		
11	D717950330	Journal bearing	1		
12	D717950337	Charge pump cover	1		
13	D717950351	Gasket	2		
14	D717950365	C pad seal	2		
15	D717950372	Charge pump shaft	1		
16	D717950379	Screen, control filter	3		
17	D717950547	Charge relief valve kit	1		
18	D717950554	Key	1		
19	D717950568	O-ring	4		
20	D717950575	O-ring	4		
21	D717950582	O-ring	4		
22	D717950589	O-ring	4		
23	D717950596	O-ring	2		
25	D717950603	O-ring	2		
26	D717950610	O-ring	4		
27	D717950624	Pin	1		
28	D717950645	Retaining ring	1		
29	D717950701	PCP	1		
30	D717950561	O-ring	4		
31	D717951065	O-ring	10		
32	D717951072	O-ring	2		
33	D717951079	O-ring	2		
34	D717951086	Pin	2		
35	D717951093	Plug	2		
36	D717952892	Spring	2		
37	D717952976	Side cover insert	1		
38	D717952983	Retaining plate	1		

Refer to Parts Online for the most up to date information. The printed information might be outdated.

Wed Oct 21 02:01:17 MDT 2015



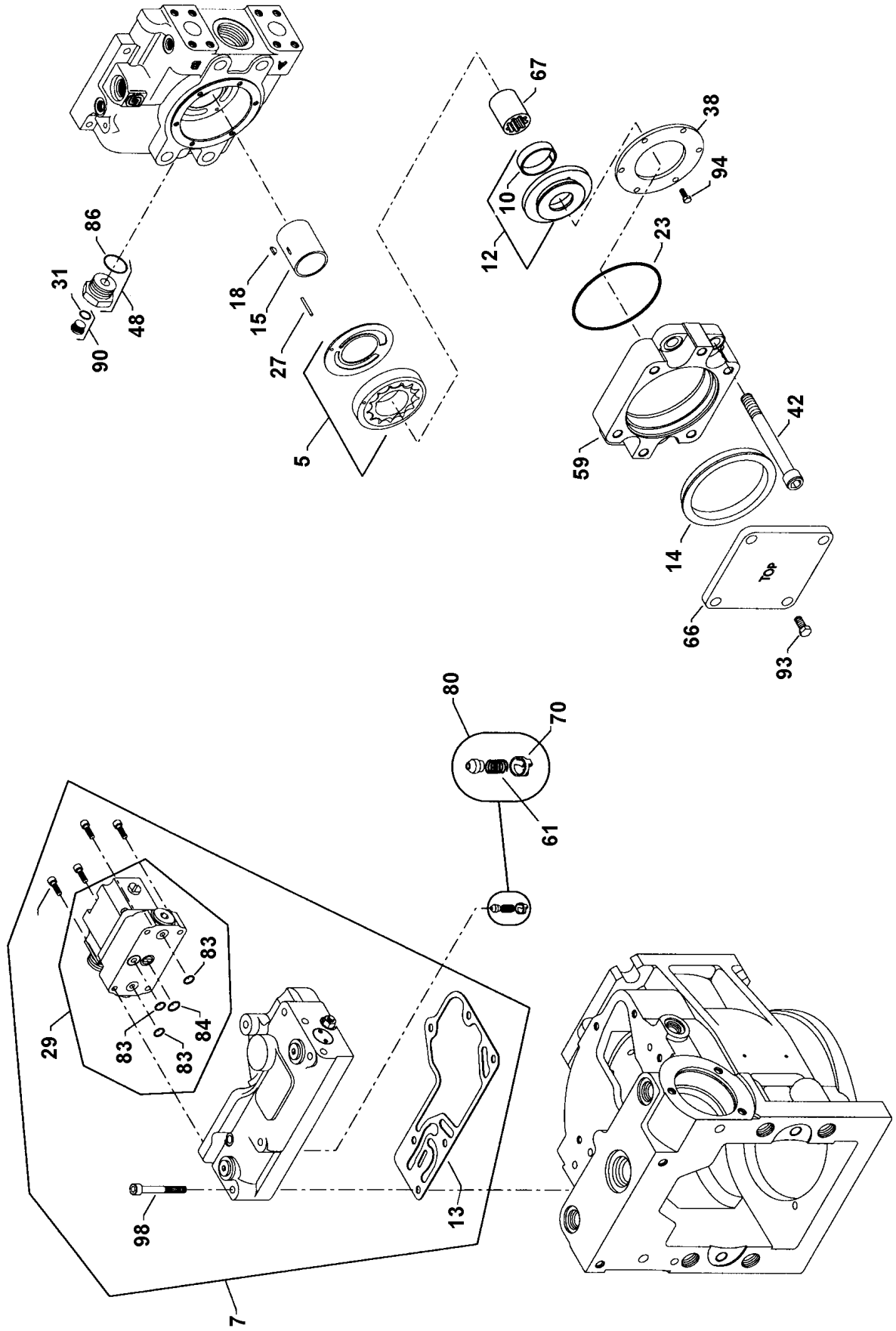
Refer to Parts Online for the most up to date information. The printed information might be outdated.

Wed Oct 21 02:01:17 MDT 2015

Item	Part No.	Name	Qty	L	SN INFO
39	D717952990	Retaining plate	1		
40	D717952997	Spring seat	2		
41	D717953004	Bearing	1		
42	D717953011	Socket screw	4		
43	D717953018	Servo arm	1		
44	D717953025	Screw	1		
45	D717953032	Lip seal	2		
46	D717953067	Piston	9		
47	D717953102	Screw	12		
48	D717953109	Plug	1		
49	D717953284	Guide post	2		
50	D717953291	Feedback link	1		
51	D717953305	Slipper guide	1		
52	D717953319	Spring seat	1		
53	D717953326	Spring retainer	1		
54	D717953333	Spline shaft	1		
55	D717953347	Slipper guide bearing	2		
56	D717953354	Cage locator link	1		
57	D717953361	End cap	1		
58	D717953368	Spacer	4		
59	D717953382	Flange adapter	1		
60	D717953389	Swash plate	1		
61	D717953410	Spring	1		
62	D717953431	Piston ring	2		
63	D717953438	Check valve	2		
64	D717953452	Lifting bracket spacers	1		
65	D717953459	Lifting bracket	1		
66	D717953480	Flange cover	1		
67	D717953494	Coupling	1		
68	D717953501	Shim	2		
69	D717953508	Pin	1		
70	D717953515	Spring retainer	1		
71	D717953522	Variable swash plate	1		
72	D717953529	Side cover	1		
73	D717953536	Variable housing	1		
74	D717953585	Spring	1		
75	D717953613	Cylinder block	1		

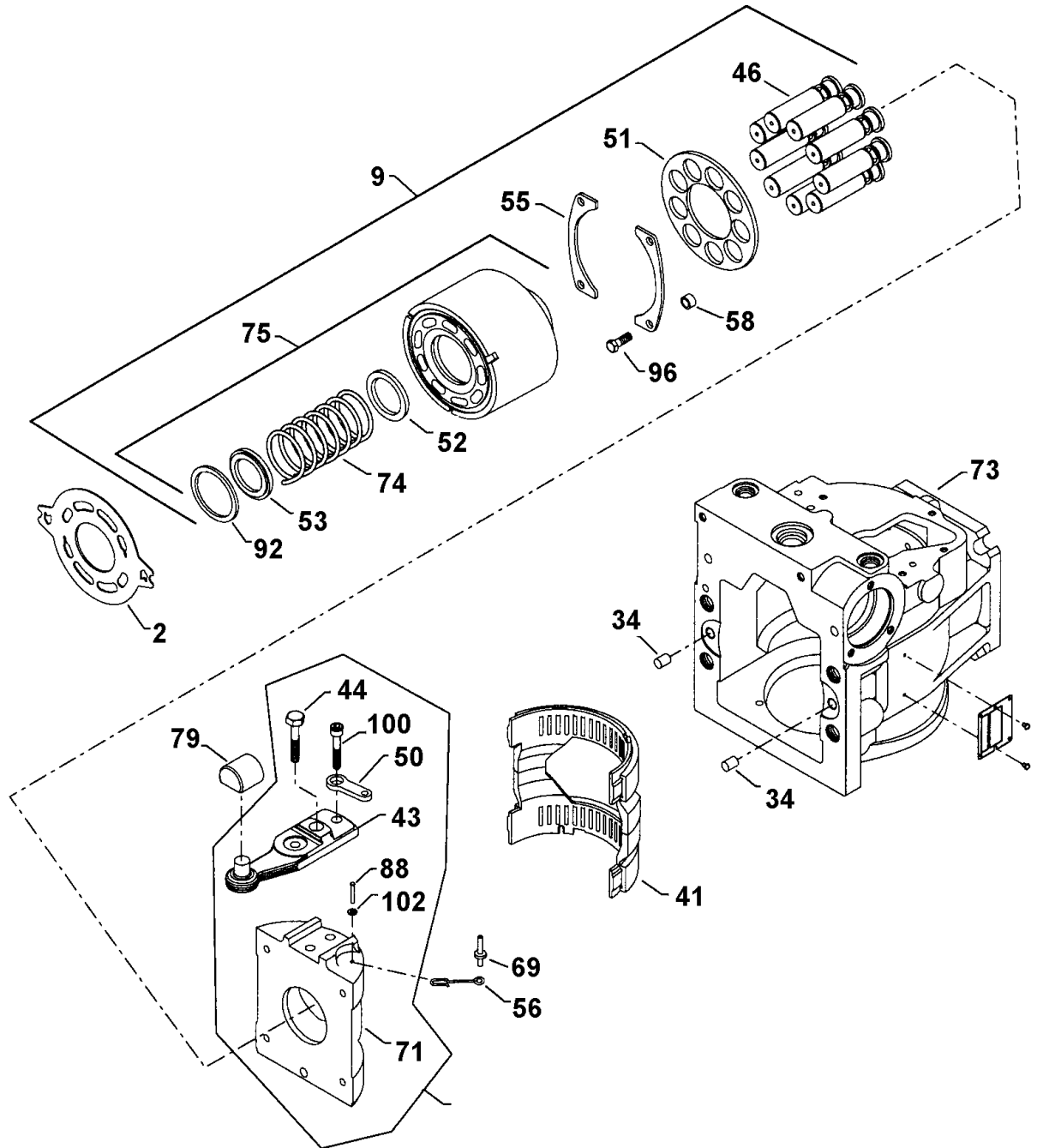
Refer to Parts Online for the most up to date information. The printed information might be outdated.

Wed Oct 21 02:01:17 MDT 2015



Refer to Parts Online for the most up to date information. The printed information might be outdated.
Wed Oct 21 02:01:17 MDT 2015

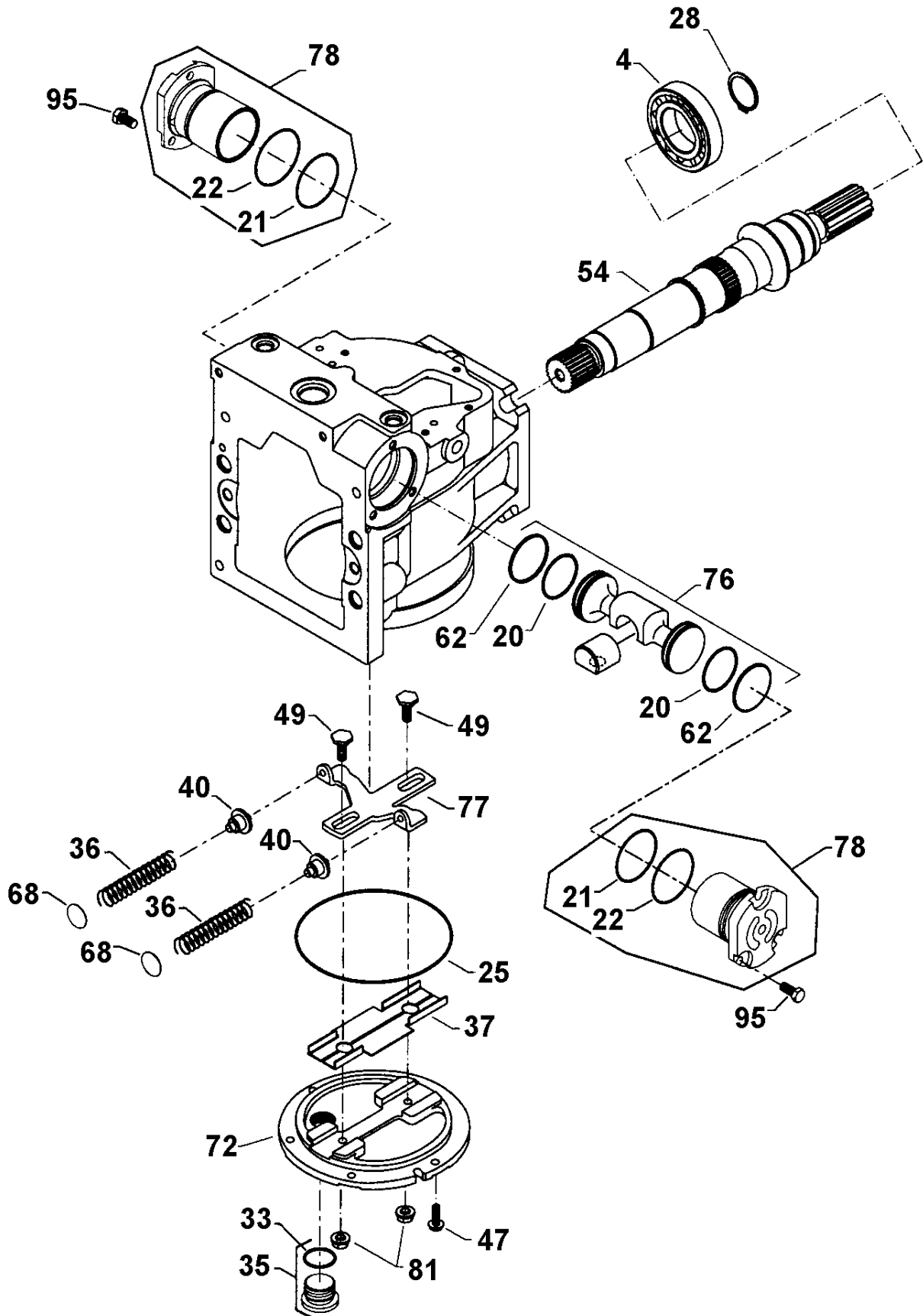
Item	Part No.	Name	Qty	L	SN INFO
76	D717953641	Servo piston	1		
77	D717953648	Leveler	1		
78	D717953669	Servo cylinder	2		
79	D717953697	Slider block	1		
80	D717953858	Control orifice kit	1		
81	D717953886	Nut	4		
82	D717953928	O-ring	2		
83	D717953949	O-ring	6		
84	D717953956	O-ring	2		
85	D717953970	O-ring	2		
86	D717953977	O-ring	2		
88	D717953998	Spiral pin	1		
89	D717954005	Plug	3		
90	D717954019	Plug	7		
91	D717954026	Plug	2		
92	D717954047	Retaining ring	1		
93	D717954061	Screw	2		
94	D717954068	Screw	6		
95	D717954075	Screw	6		
96	D717954103	Screw	8		
97	D717954110	Screw, metric	3		
98	D717954117	Screw	6		
99	D717954124	Screw	2		
100	D717954152	Screw	1		
101	D717954159	Washer	1		
102	D717954166	Washer	1		
103	D717953865	Seal overhaul kit	1		



Refer to Parts Online for the most up to date information. The printed information might be outdated.

Wed Oct 21 02:01:18 MDT 2015

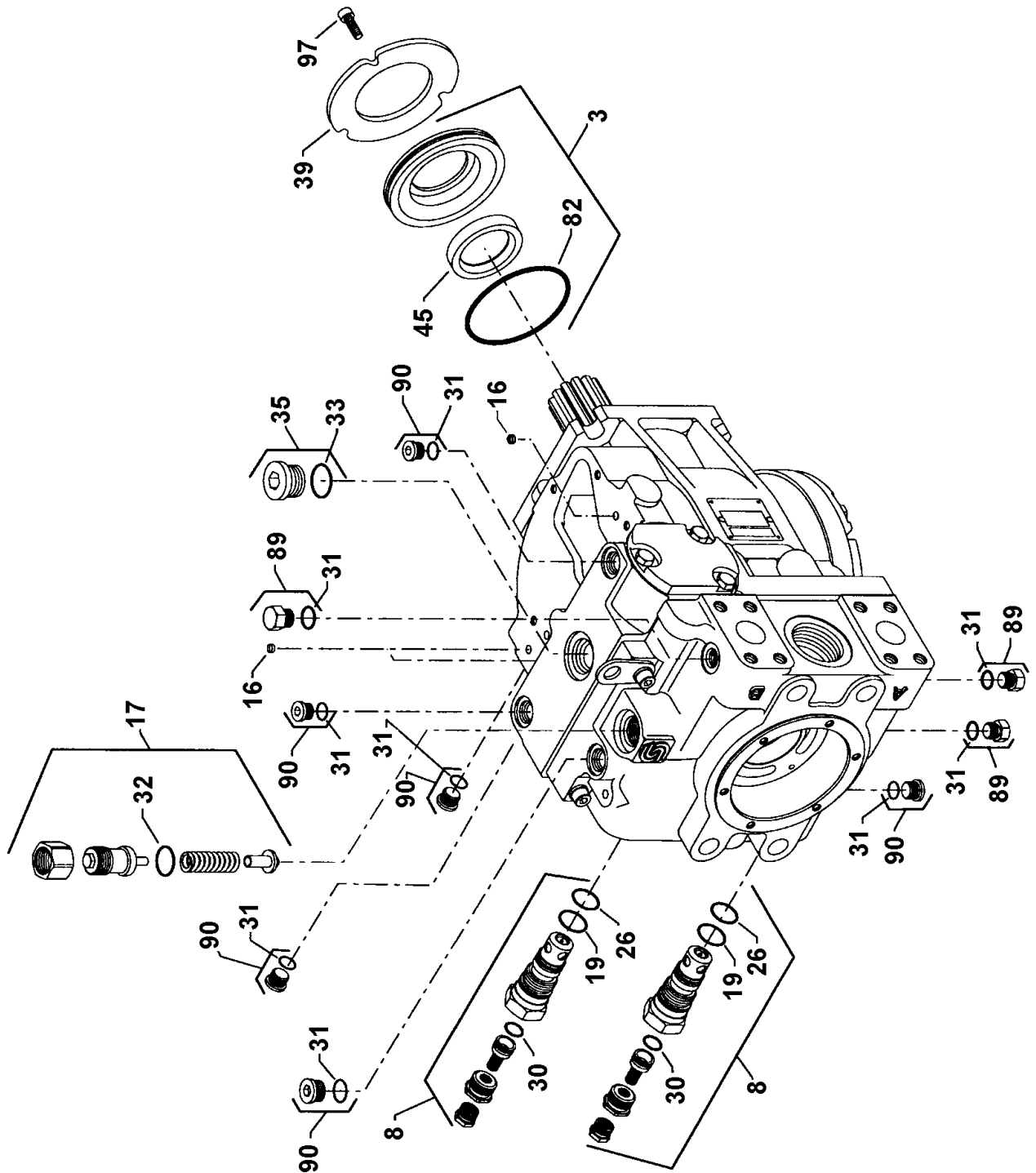
This page intentionally left blank



Refer to Parts Online for the most up to date information. The printed information might be outdated.

Wed Oct 21 02:01:18 MDT 2015

This page intentionally left blank

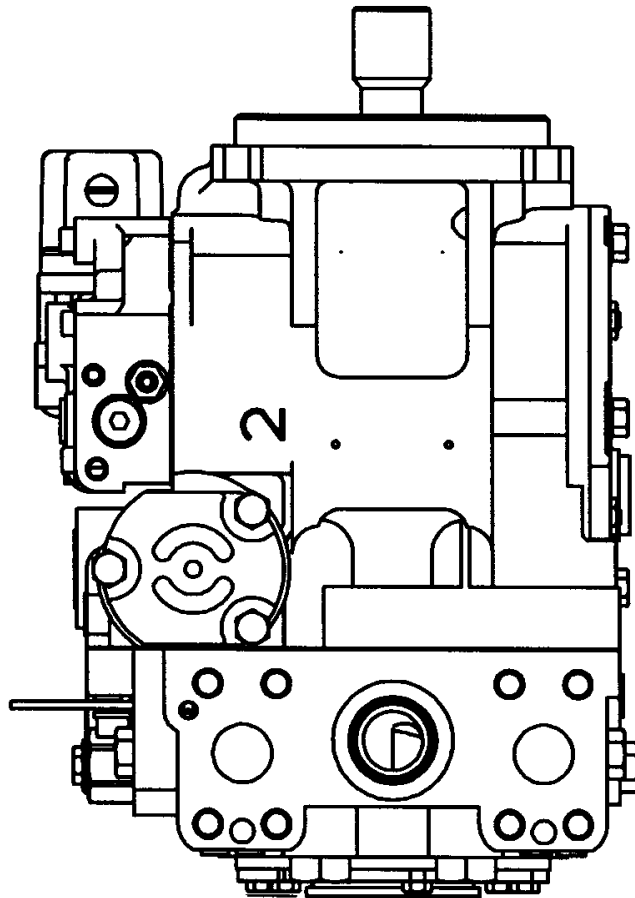
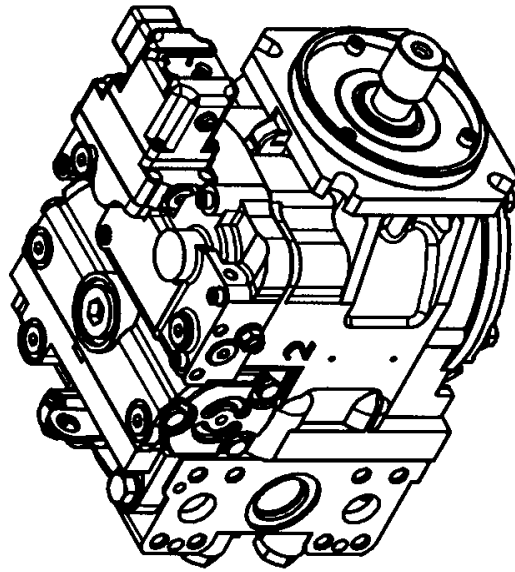


Refer to Parts Online for the most up to date information. The printed information might be outdated.

Wed Oct 21 02:01:18 MDT 2015

This page intentionally left blank

Pump drive complete D717191500 Pump, propel rear, assembly



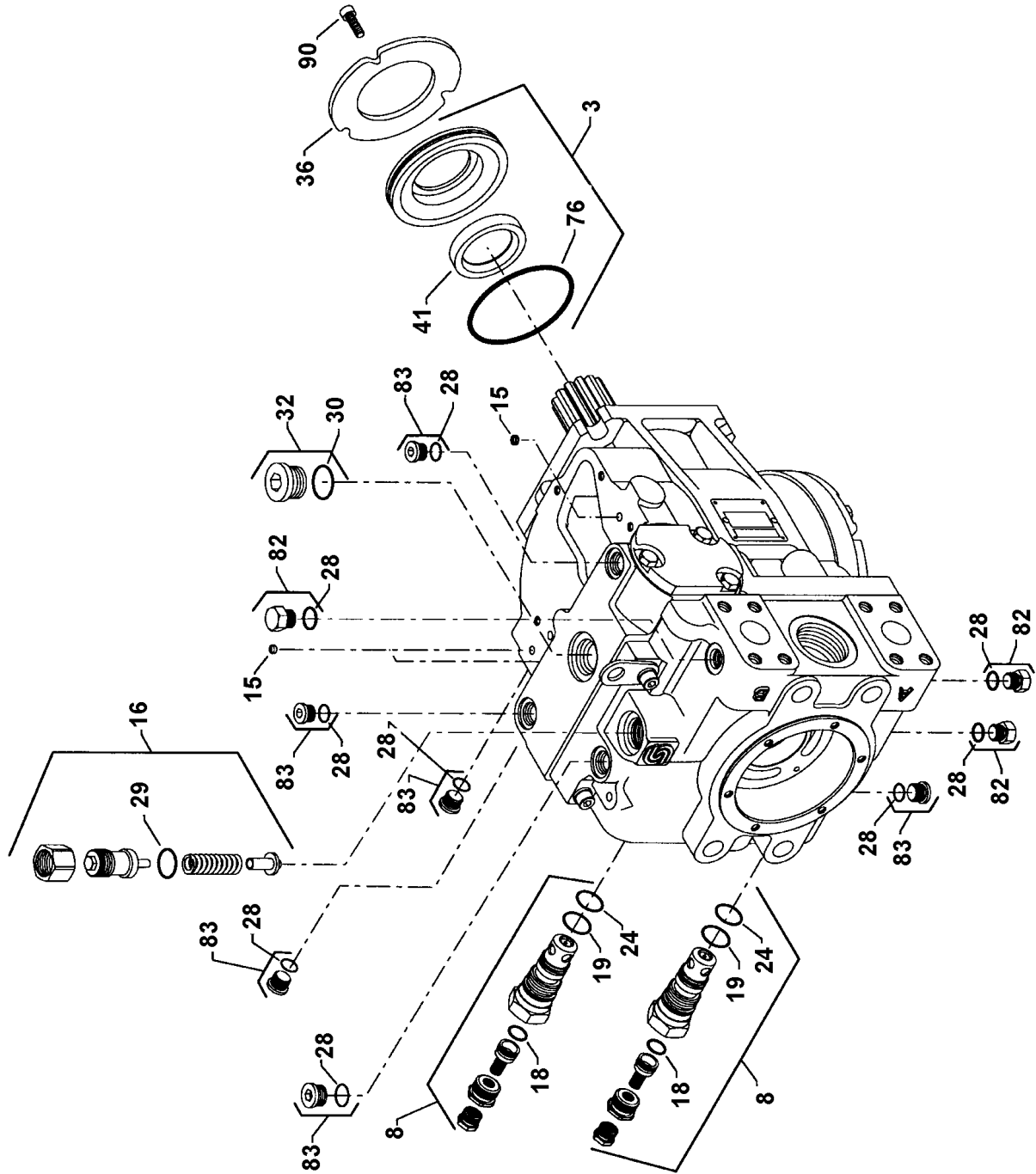
Refer to Parts Online for the most up to date information. The printed information might be outdated.

Wed Oct 21 02:01:20 MDT 2015

Item	Part No.	Name	Qty	L	SN INFO
1	D717950113	Ring, piston	2		
2	D717950120	Plate, valve	1		
3	D717950127	Shaft seal assembly	1		
4	D717950253	Bearing, roller	1		
5	D717950288	Charge pump set	1		
6	D717950295	Gasket	2		
7	D717950302	EDC kit	1		
8	D717950309	Multifunction valve kit	2		
9	D717950316	Cylinder block kit	1		
10	D717950323	Bushing	2		
11	D717950330	Journal bearing	1		
12	D717950344	Charge pump cover	1		
13	D717950351	Gasket	2		
14	D717950372	Charge pump shaft	1		
15	D717950379	Screen, control filter	3		
16	D717950547	Charge relief valve kit	1		
17	D717950554	Key	1		
18	D717950561	O-ring	4		
19	D717950568	O-ring	4		
20	D717950575	O-ring	4		
21	D717950582	O-ring	4		
22	D717950589	O-ring	4		
23	D717950603	O-ring	2		
24	D717950610	O-ring	4		
25	D717950624	Pin	1		
26	D717950645	Retaining ring	1		
27	D717950701	PCP	1		
28	D717951065	O-ring	10		
29	D717951072	O-ring	2		
30	D717951079	O-ring	2		
31	D717951086	Pin	2		
32	D717951093	Plug	2		
33	D717952892	Spring	2		
34	D717952976	Side cover insert	1		
35	D717952983	Retaining plate	1		
36	D717952990	Retaining plate	1		
37	D717952997	Spring seat	2		

Refer to Parts Online for the most up to date information. The printed information might be outdated.

Wed Oct 21 02:01:20 MDT 2015



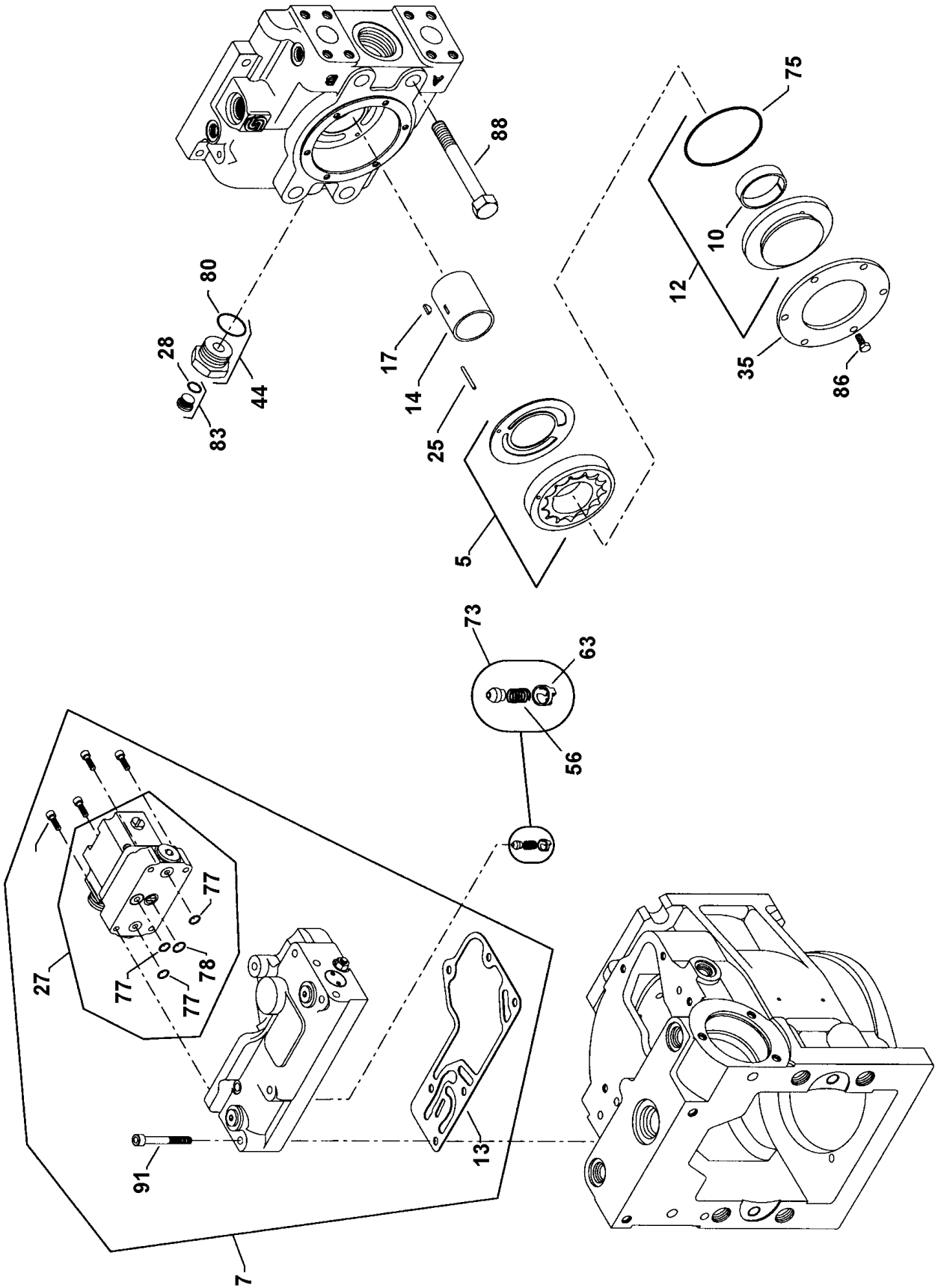
Refer to Parts Online for the most up to date information. The printed information might be outdated.

Wed Oct 21 02:01:20 MDT 2015

Item	Part No.	Name	Qty	L	SN INFO
38	D717953004	Bearing	1		
39	D717953018	Servo arm	1		
40	D717953025	Screw	1		
41	D717953032	Lip seal	2		
42	D717953067	Piston	9		
43	D717953102	Screw	12		
44	D717953109	Plug	1		
45	D717953284	Guide post	2		
46	D717953291	Feedback link	1		
47	D717953305	Slipper guide	1		
48	D717953319	Spring seat	1		
49	D717953326	Spring retainer	1		
50	D717953333	Spline shaft	1		
51	D717953347	Slipper guide bearing	2		
52	D717953354	Cage locator link	1		
53	D717953361	End cap	1		
54	D717953368	Spacer	4		
55	D717953389	Swash plate	1		
56	D717953410	Spring	1		
57	D717953431	Piston ring	2		
58	D717953438	Check valve	2		
59	D717953452	Lifting bracket spacers	1		
60	D717953459	Lifting bracket	1		
61	D717953501	Shim	2		
62	D717953508	Pin	1		
63	D717953515	Spring retainer	1		
64	D717953522	Variable swash plate	1		
65	D717953529	Side cover	1		
66	D717953536	Variable housing	1		
67	D717953585	Spring	1		
68	D717953613	Cylinder block	1		
69	D717953641	Servo piston	1		
70	D717953648	Leveler	1		
71	D717953669	Servo cylinder	2		
72	D717953697	Slider block	1		
73	D717953858	Control orifice kit	1		
74	D717953886	Nut	4		

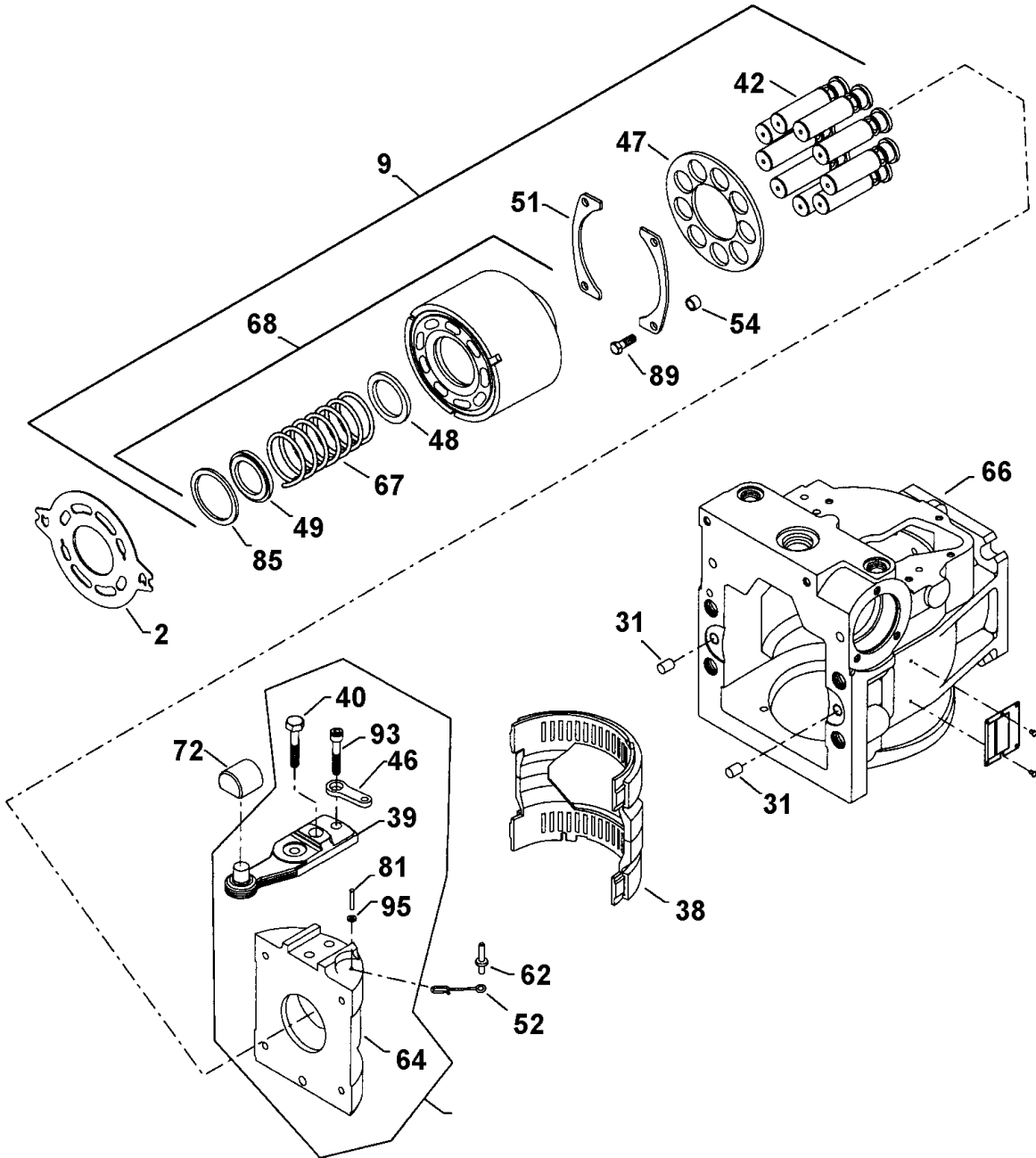
Refer to Parts Online for the most up to date information. The printed information might be outdated.

Wed Oct 21 02:01:20 MDT 2015



Refer to Parts Online for the most up to date information. The printed information might be outdated.
 Wed Oct 21 02:01:21 MDT 2015

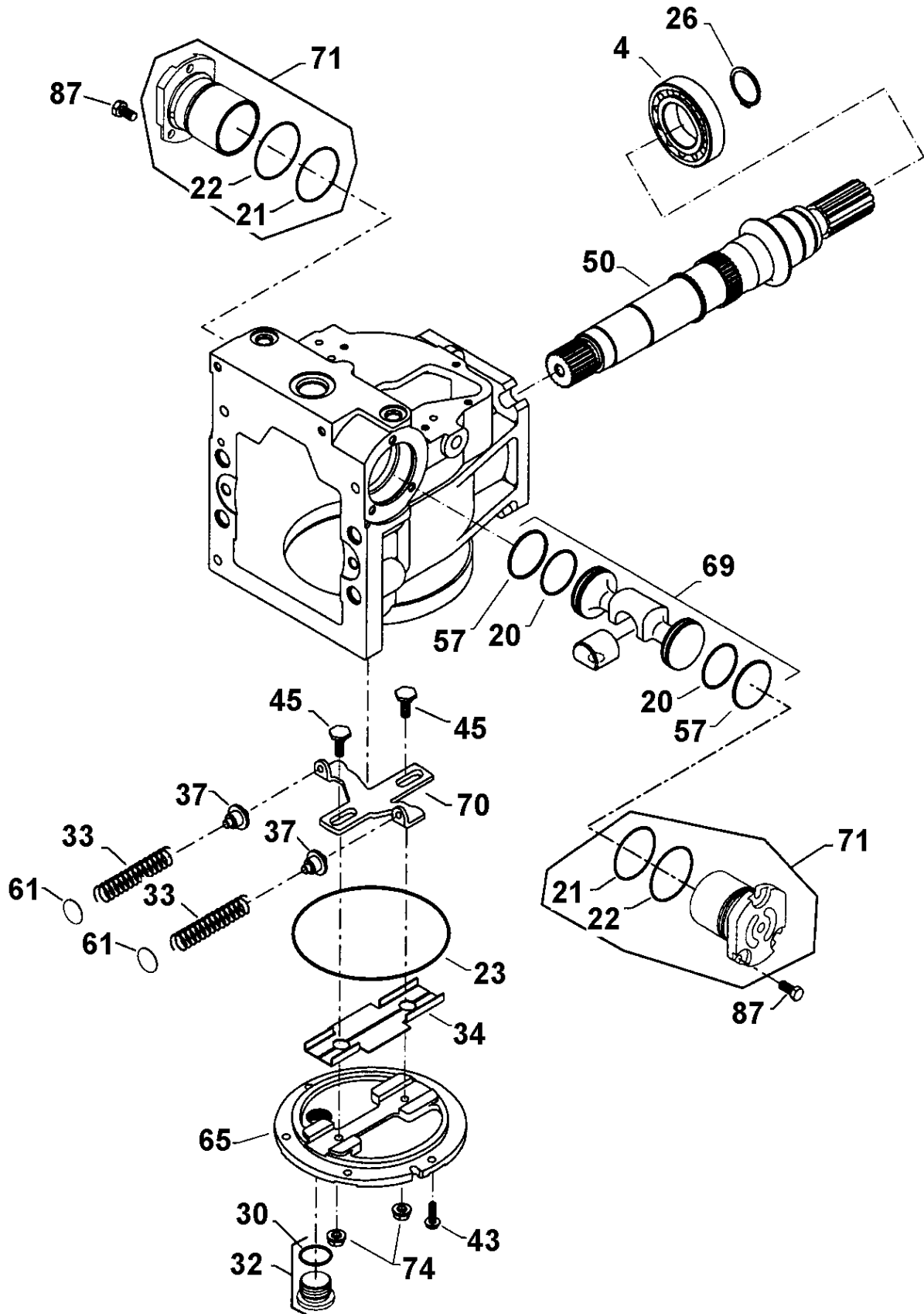
Item	Part No.	Name	Qty	L	SN INFO
75	D717953907	O-ring	2		
76	D717953928	O-ring	2		
77	D717953949	O-ring	6		
78	D717953956	O-ring	2		
79	D717953970	O-ring	2		
80	D717953977	O-ring	2		
81	D717953998	Spiral pin	1		
82	D717954005	Plug	3		
83	D717954019	Plug	7		
84	D717954026	Plug	2		
85	D717954047	Retaining ring	1		
86	D717954068	Screw	6		
87	D717954075	Screw	6		
88	D717954089	Screw	4		
89	D717954103	Screw	8		
90	D717954110	Screw, metric	3		
91	D717954117	Screw	6		
92	D717954124	Screw	2		
93	D717954152	Screw	1		
94	D717954159	Washer	1		
95	D717954166	Washer	1		
96	D717953865	Seal overhaul kit	1		



Refer to Parts Online for the most up to date information. The printed information might be outdated.

Wed Oct 21 02:01:21 MDT 2015

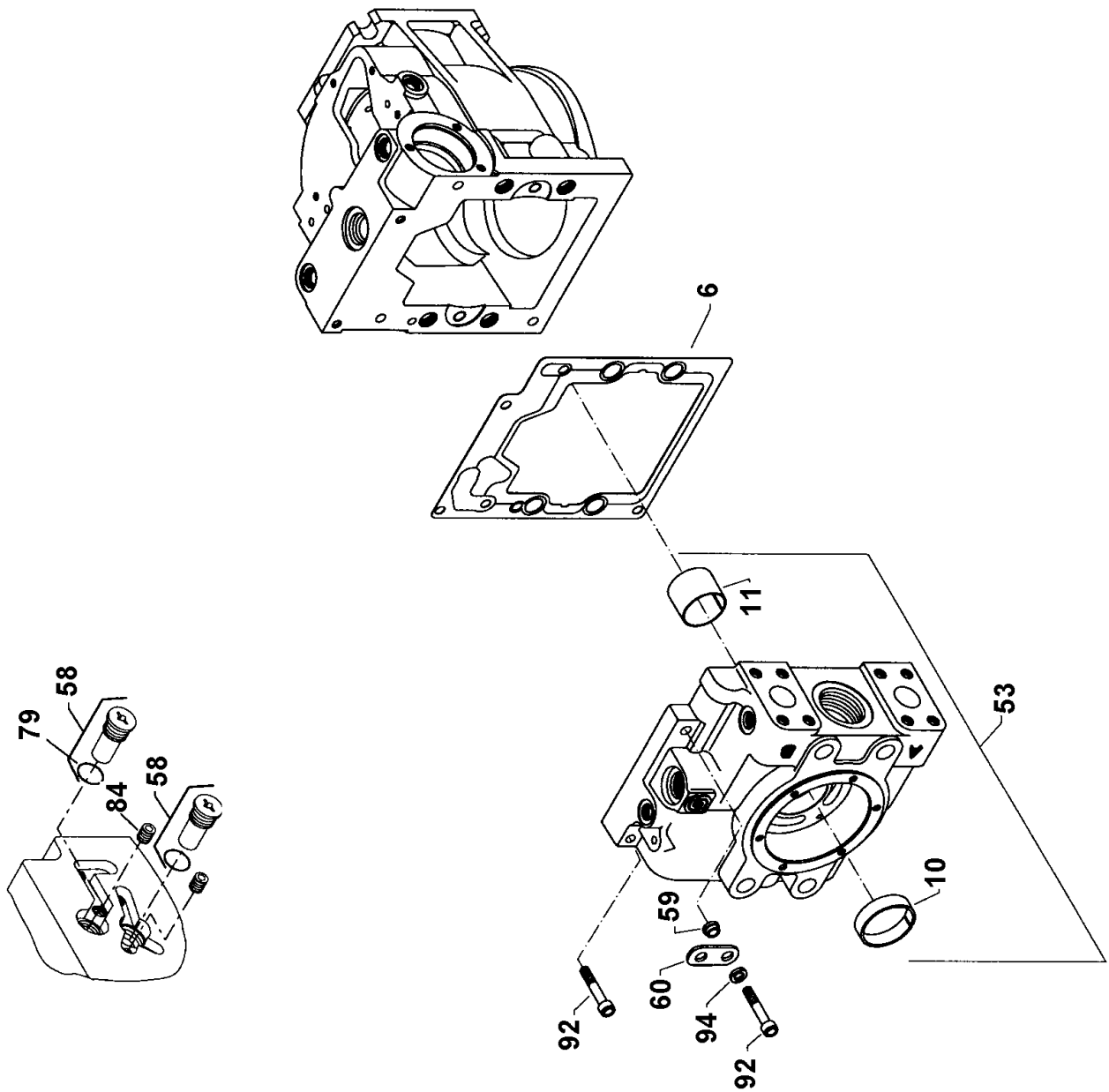
This page intentionally left blank



Refer to Parts Online for the most up to date information. The printed information might be outdated.

Wed Oct 21 02:01:21 MDT 2015

This page intentionally left blank



Refer to Parts Online for the most up to date information. The printed information might be outdated.

Wed Oct 21 02:01:21 MDT 2015

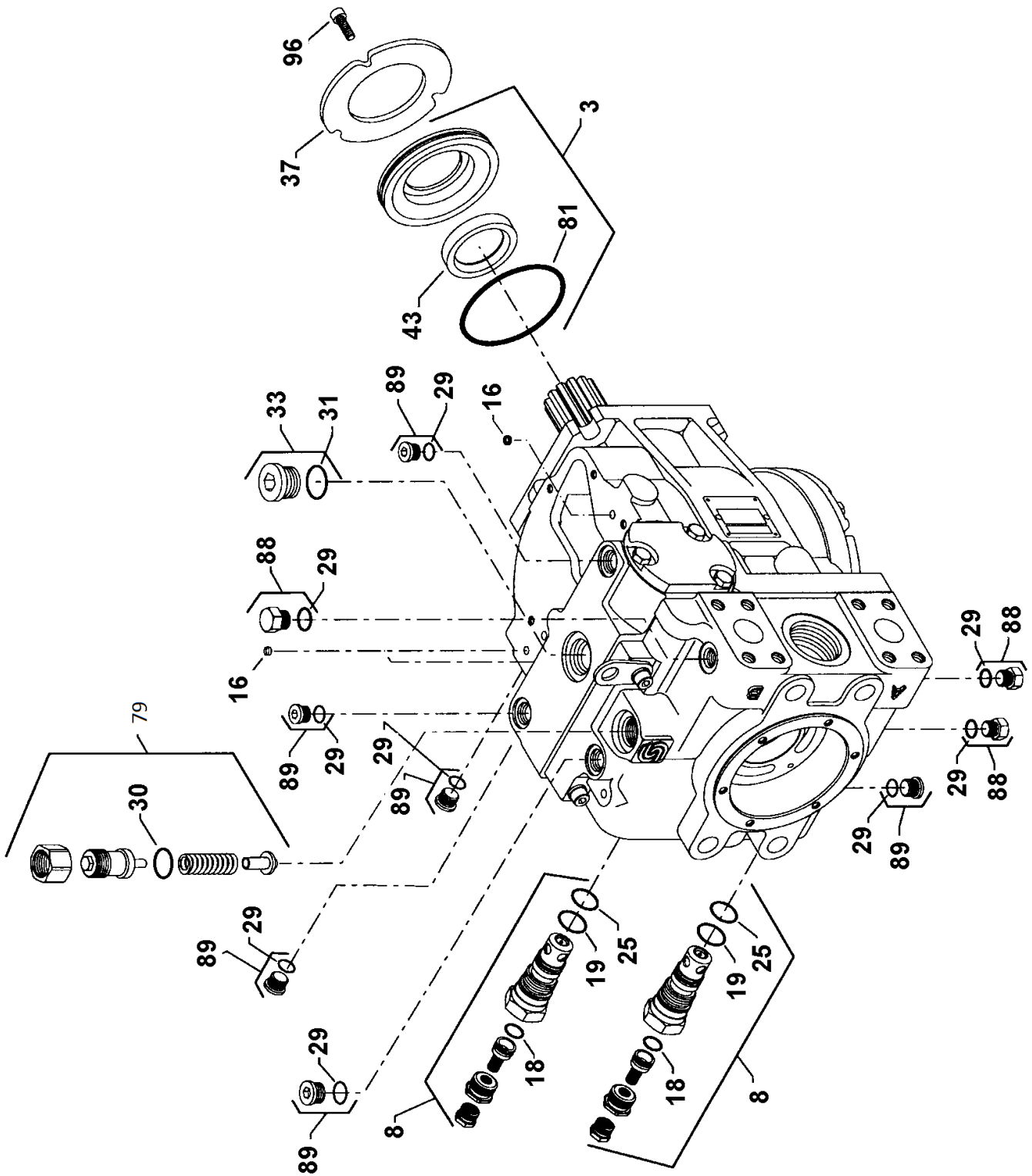
This page intentionally left blank

Pump drive complete 4812222519 Gear pump, fan drive

**NO DRAWING
AVAILABLE
FOR THIS BOM**

Item	Part No.	Name	Qty	L	SN INFO
1	4812270279	Seal kit	1		

Pump drive complete D717193500 Pump, generator, assembly



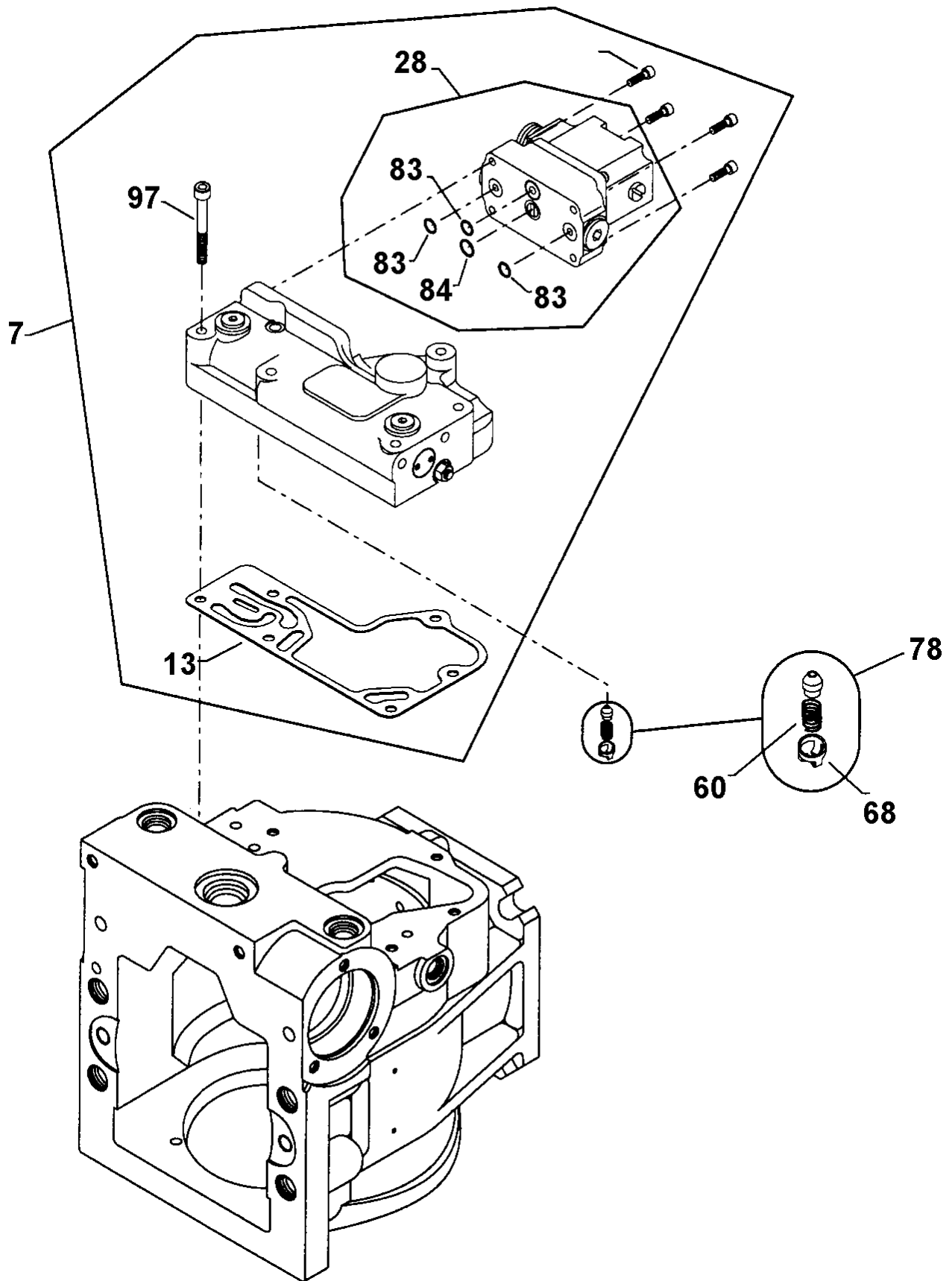
Refer to Parts Online for the most up to date information. The printed information might be outdated.

Wed Oct 21 02:01:23 MDT 2015

Item	Part No.	Name	Qty	L	SN INFO
1	D717950113	Ring, piston	2		
2	D717950120	Plate, valve	1		
3	D717950127	Shaft seal assembly	1		
4	D717950253	Bearing, roller	1		
5	D717950288	Charge pump set	1		
6	D717950295	Gasket	2		
7	D717950302	EDC kit	1		
8	D717950309	Multifunction valve kit	2		
9	D717950316	Cylinder block kit	1		
10	D717950323	Bushing	2		
11	D717950330	Journal bearing	1		
12	D717950337	Charge pump cover	1		
13	D717950351	Gasket	2		
14	D717950358	B pad seal	2		
15	D717950372	Charge pump shaft	1		
16	D717950379	Screen, control filter	3		
17	D717950554	Key	1		
18	D717950561	O-ring	4		
19	D717950568	O-ring	4		
20	D717950575	O-ring	4		
21	D717950582	O-ring	4		
22	D717950589	O-ring	4		
23	D717950596	O-ring	2		
24	D717950603	O-ring	2		
25	D717950610	O-ring	4		
26	D717950624	Pin	1		
27	D717950645	Retaining ring	1		
28	D717950701	PCP	1		
29	D717951065	O-ring	10		
30	D717951072	O-ring	2		
31	D717951079	O-ring	2		
32	D717951086	Pin	2		
33	D717951093	Plug	2		
34	D717952892	Spring	2		
35	D717952976	Side cover insert	1		
36	D717952983	Retaining plate	1		
37	D717952990	Retaining plate	1		

Refer to Parts Online for the most up to date information. The printed information might be outdated.

Wed Oct 21 02:01:23 MDT 2015



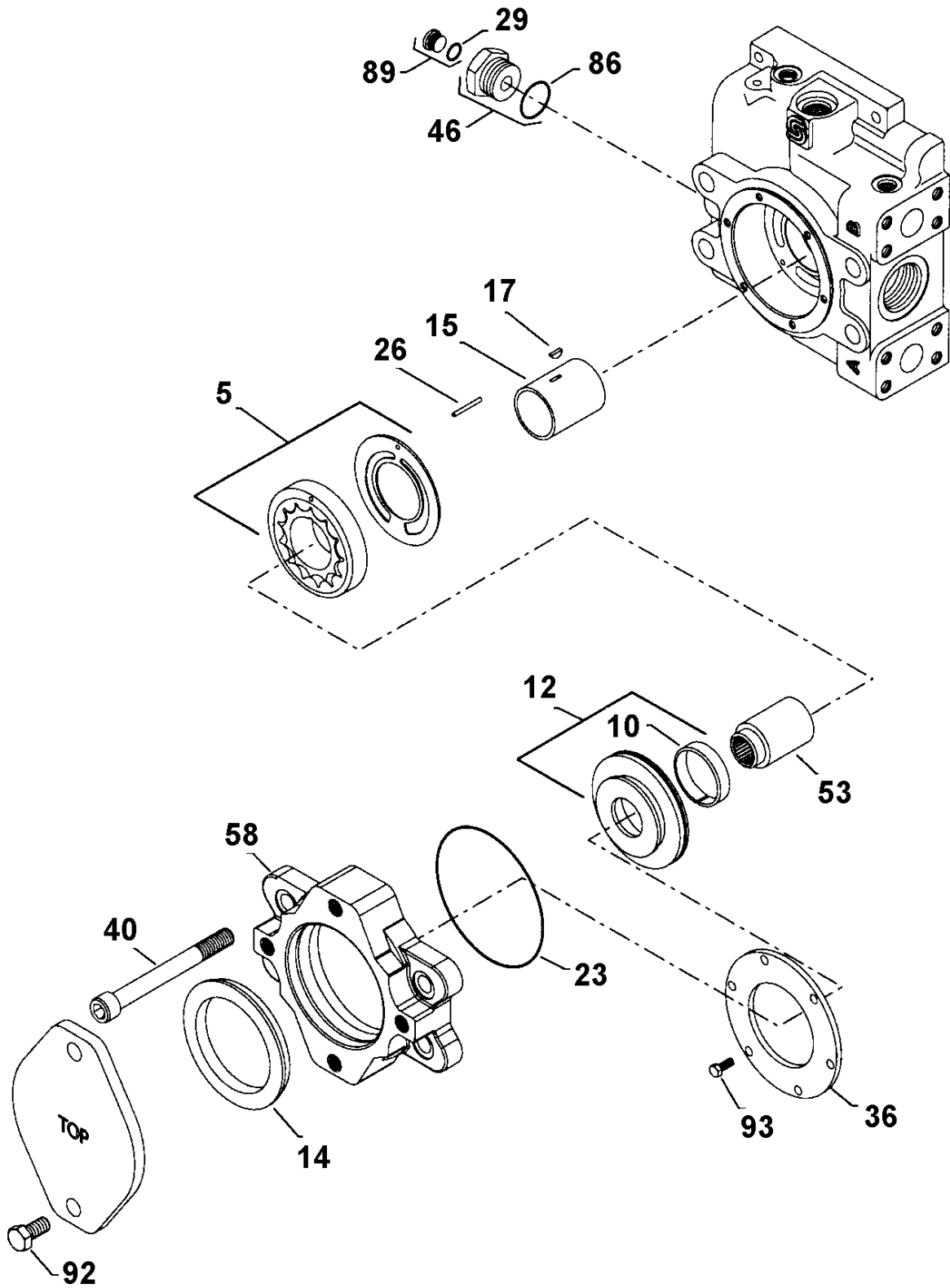
Refer to Parts Online for the most up to date information. The printed information might be outdated.

Wed Oct 21 02:01:23 MDT 2015

Item	Part No.	Name	Qty	L	SN INFO
38	D717952997	Spring seat	2		
39	D717953004	Bearing	1		
40	D717953011	Socket screw	4		
41	D717953018	Servo arm	1		
42	D717953025	Screw	1		
43	D717953032	Lip seal	2		
44	D717953067	Piston	9		
45	D717953102	Screw	12		
46	D717953109	Plug	1		
47	D717953284	Guide post	2		
48	D717953291	Feedback link	1		
49	D717953305	Slipper guide	1		
50	D717953319	Spring seat	1		
51	D717953326	Spring retainer	1		
52	D717953333	Spline shaft	1		
53	D717953340	Coupling	1		
54	D717953347	Slipper guide bearing	2		
55	D717953354	Cage locator link	1		
56	D717953361	End cap	1		
57	D717953368	Spacer	4		
58	D717953375	Flange adapter	1		
59	D717953389	Swash plate	1		
60	D717953410	Spring	1		
61	D717953431	Piston ring	2		
62	D717953438	Check valve	2		
63	D717953452	Lifting bracket spacers	1		
64	D717953459	Lifting bracket	1		
65	D717953473	Flange cover	1		
66	D717953501	Shim	2		
67	D717953508	Pin	1		
68	D717953515	Spring retainer	1		
69	D717953522	Variable swash plate	1		
70	D717953529	Side cover	1		
71	D717953536	Variable housing	1		
72	D717953585	Spring	1		
73	D717953613	Cylinder block	1		
74	D717953641	Servo piston	1		

Refer to Parts Online for the most up to date information. The printed information might be outdated.

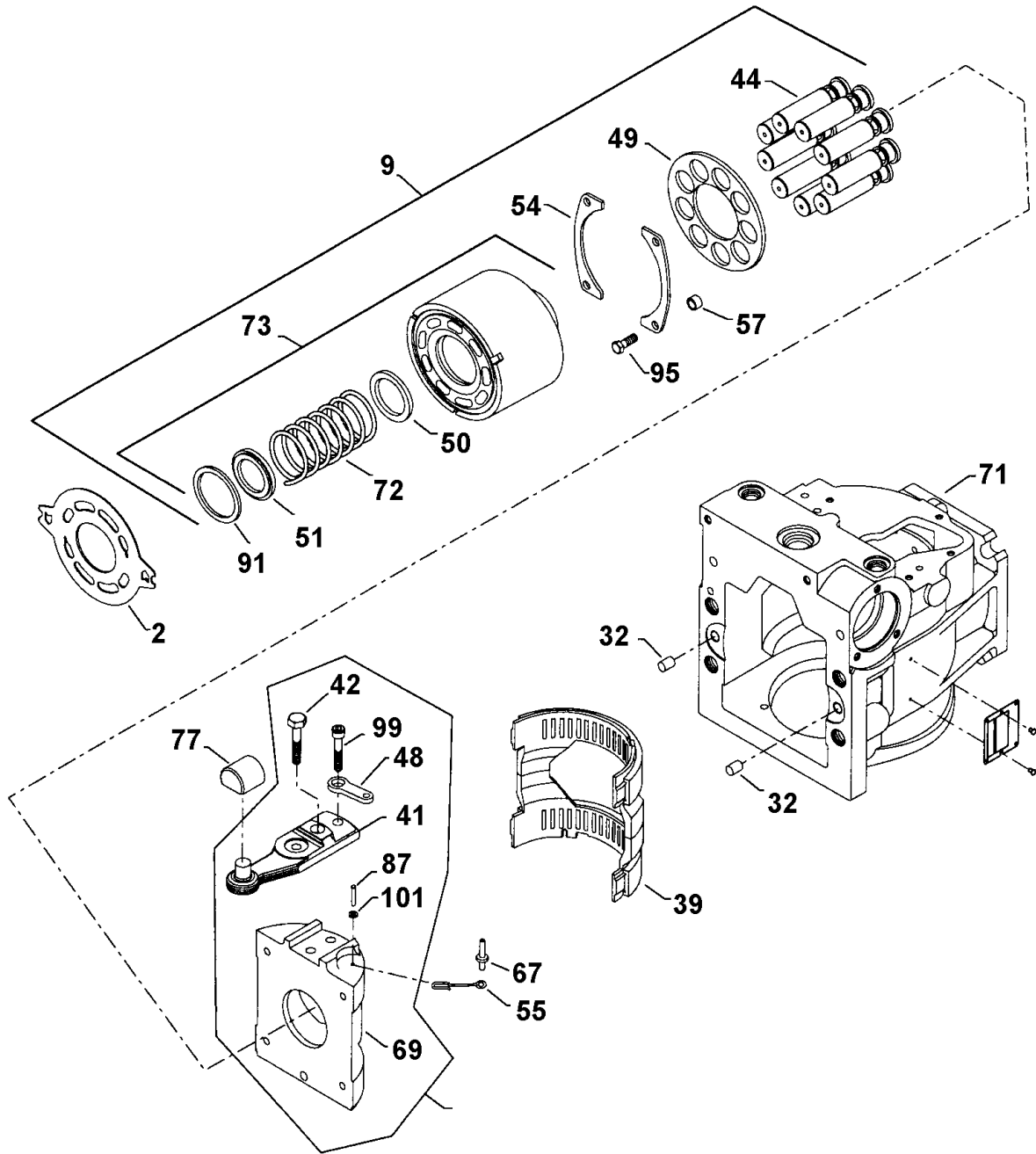
Wed Oct 21 02:01:23 MDT 2015



Refer to Parts Online for the most up to date information. The printed information might be outdated.

Wed Oct 21 02:01:23 MDT 2015

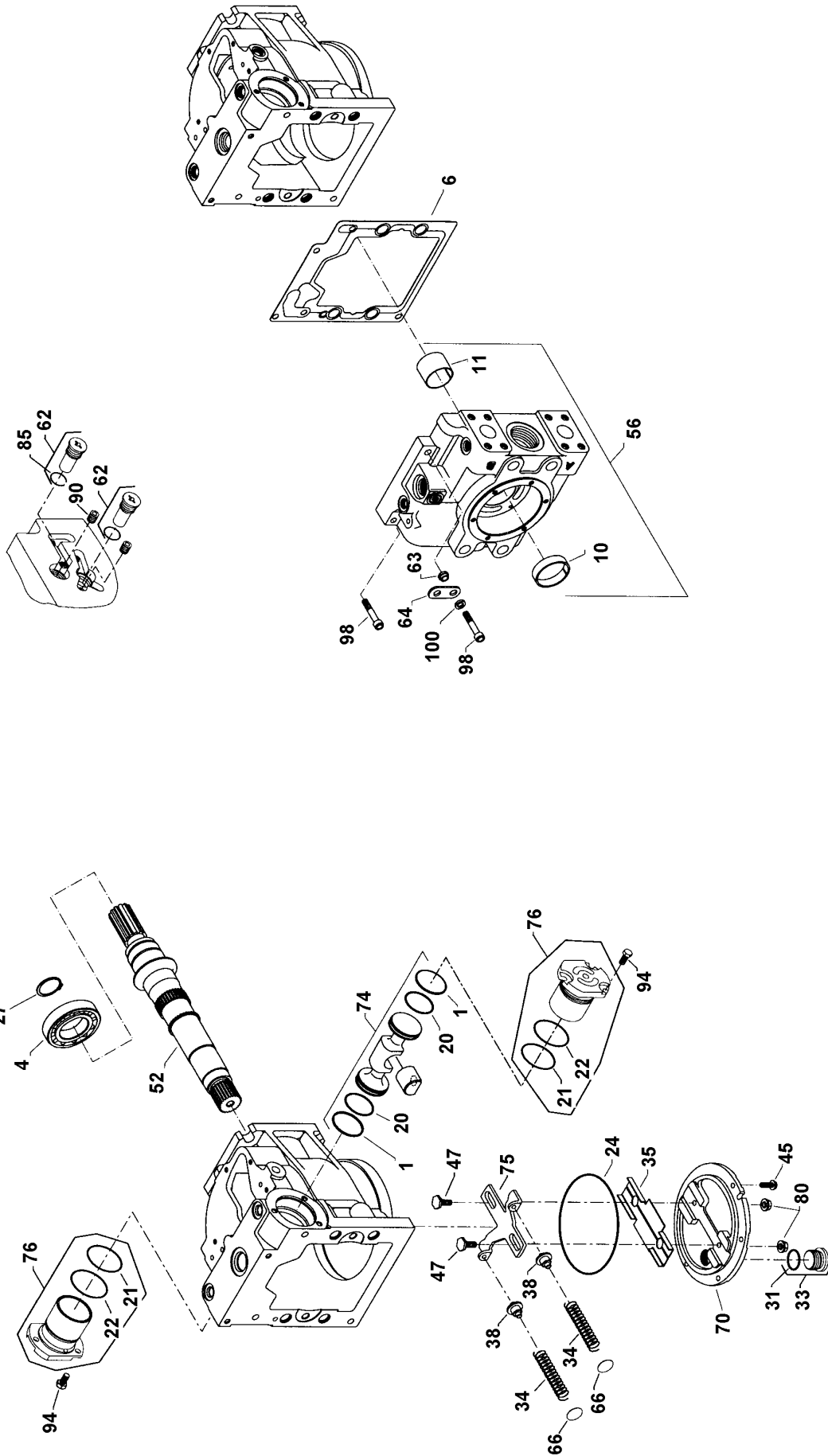
Item	Part No.	Name	Qty	L	SN INFO
75	D717953648	Leveler	1		
76	D717953669	Servo cylinder	2		
77	D717953697	Slider block	1		
78	D717953858	Control orifice kit	1		
79	D717953872	K09 charge relief valve kit	1		
80	D717953886	Nut	4		
81	D717953928	O-ring	2		
82	D717953935	O-ring	1		
83	D717953949	O-ring	4		
84	D717953956	O-ring	2		
85	D717953970	O-ring	2		
86	D717953977	O-ring	2		
87	D717953998	Spiral pin	1		
88	D717954005	Plug	3		
89	D717954019	Plug	7		
90	D717954026	Plug	2		
91	D717954047	Retaining ring	1		
92	D717954061	Screw	2		
93	D717954068	Screw	6		
94	D717954075	Screw	6		
95	D717954103	Screw	8		
96	D717954110	Screw, metric	3		
97	D717954117	Screw	6		
98	D717954124	Screw	2		
99	D717954152	Screw	1		
100	D717954159	Washer	1		
101	D717954166	Washer	1		
102	D717953865	Seal overhaul kit	1		



Refer to Parts Online for the most up to date information. The printed information might be outdated.

Wed Oct 21 02:01:24 MDT 2015

This page intentionally left blank

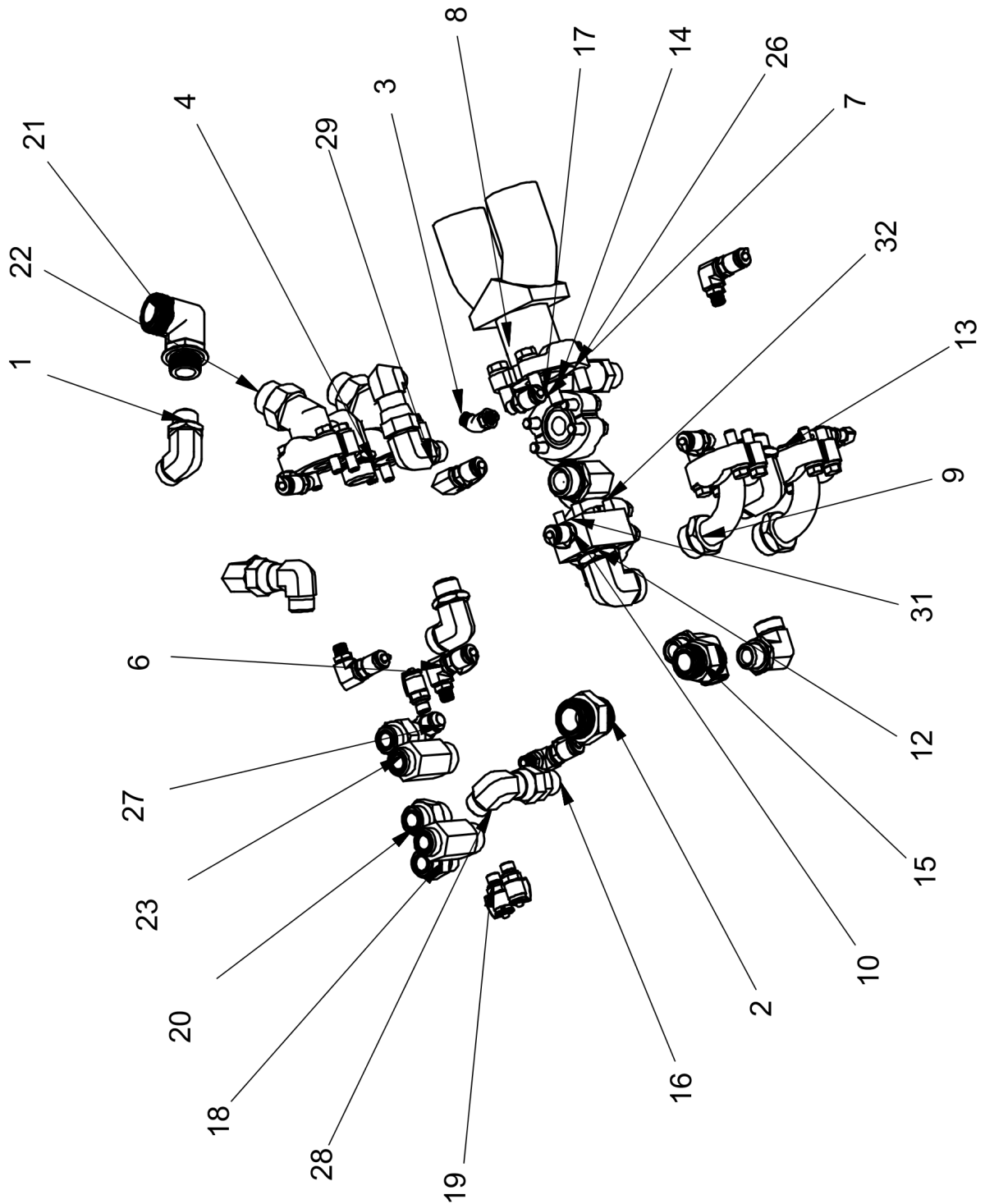


Refer to Parts Online for the most up to date information. The printed information might be outdated.

Wed Oct 21 02:01:24 MDT 2015

This page intentionally left blank

Pump drive complete Fittings assembly

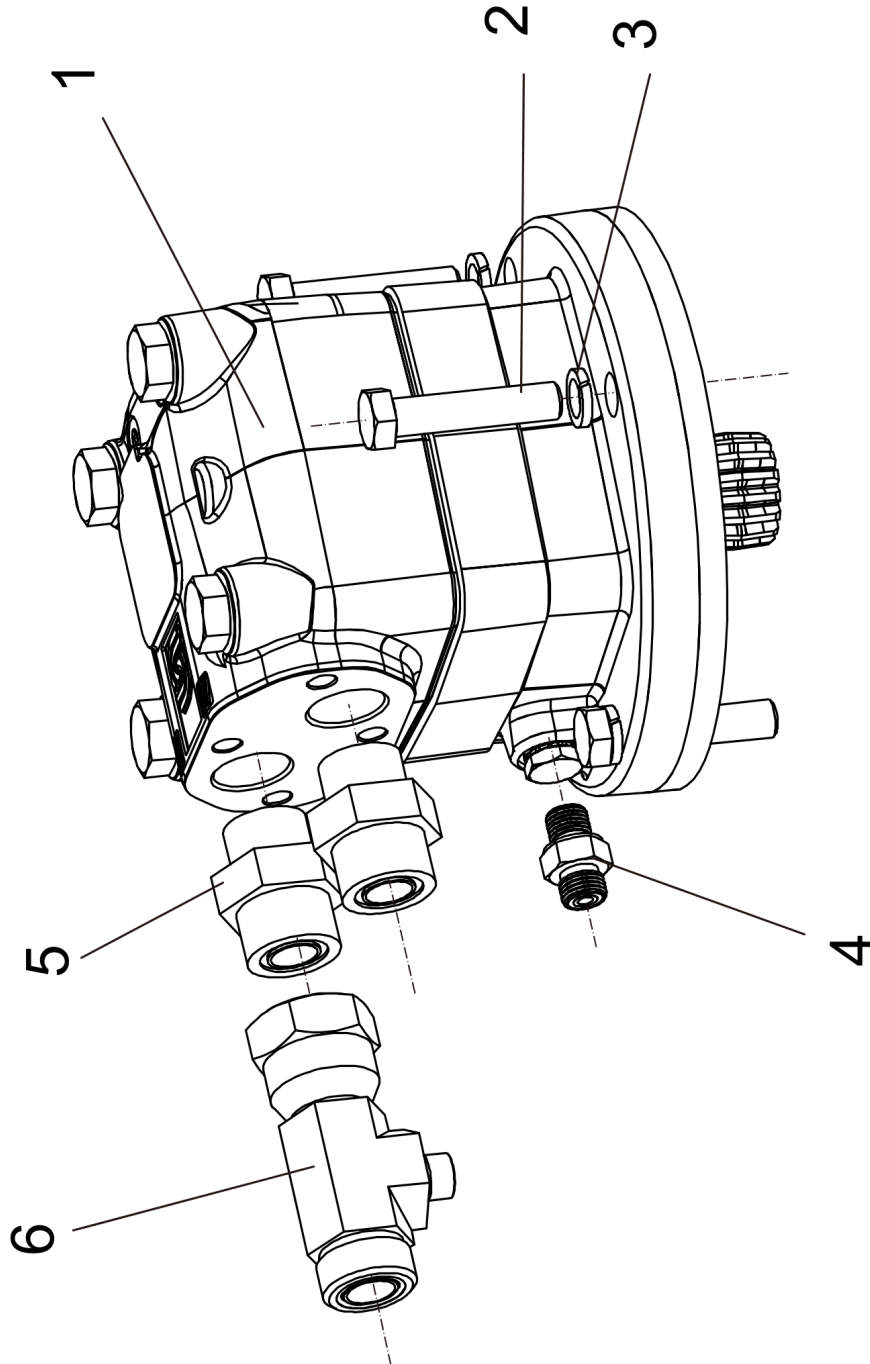


Refer to Parts Online for the most up to date information. The printed information might be outdated.

Wed Oct 21 02:01:25 MDT 2015

Item	Part No.	Name	Qty	L	SN INFO
1	4700791231	Adapter	4		
2	4812112555	Adapter	1		
3	4812244451	Adapter	1		
4	4812244450	SAE flange	2		
6	D717802346	Union	5		
7	4700791914	Adapter	2		
8	4812113110	Adapter	2		
9	4700791213	Adapter	4		
10	4812200398	Test port, male	2		
12	4700792299	Adapter	4		
13	D717800134	Flange	6		
14	4700791230	Adapter	2		
15	4700792339	Adapter	1		
16	4700791823	Adapter	1		
17	D717801408	Union	1		
18	4700791539	Adapter	1		
19	D717090505	Test port, male	11		
20	4700791318	Adapter	2		
21	4812245078	Adapter	1		
22	4700904493	Adapter	2		
23	4812245448	Adapter	2		
26	4812245447	Adapter	1		
27	4812224697	Fitting straight M18X1.5	1		
28	4812247067	Adapter	1		
29	4700791838	Adapter	1		
30	4812241562	O-ring	1		
31	4812248015	Flange	1		
32	4812248046	Screw	4		
33	4812249414	Adapter	1		
34	4812204171	Adapter	1		

Hydraulic component assembly F800 auger motor assembly



Refer to Parts Online for the most up to date information. The printed information might be outdated.

Wed Oct 21 02:01:25 MDT 2015

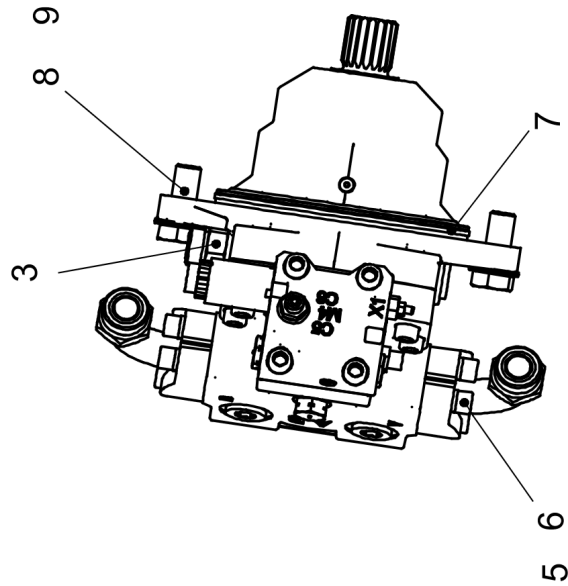
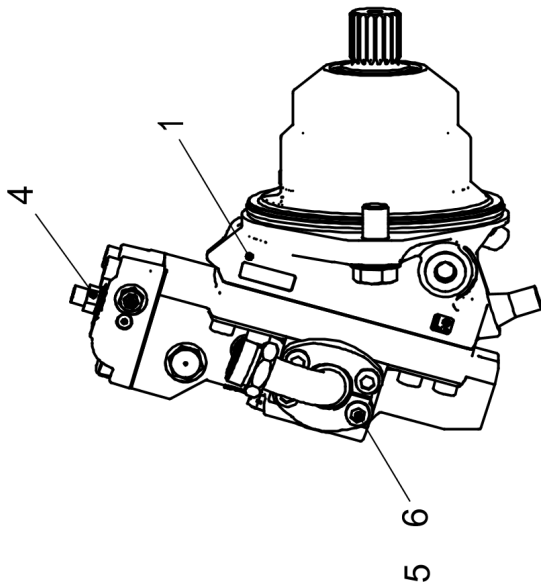
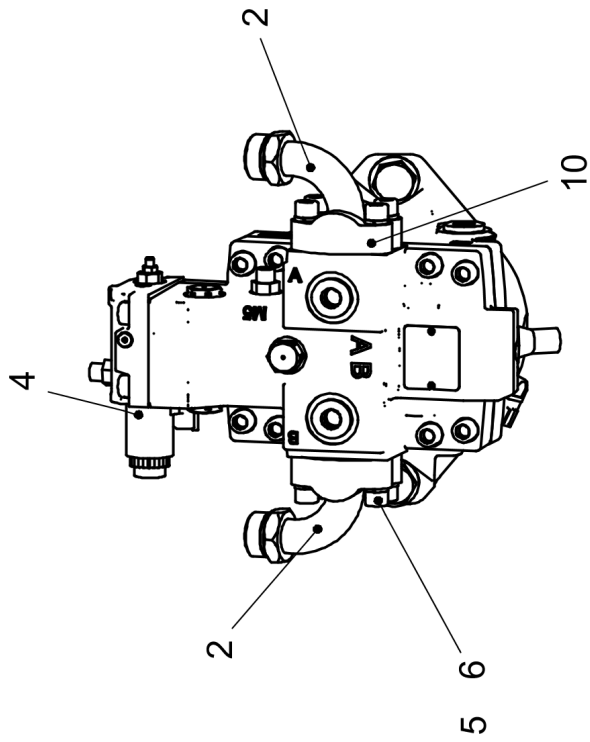
Item	Part No.	Name	Qty	L	SN INFO
1	D966957211	Hydraulic motor	1		
1	4812243607	Hydraulic motor	1	A	
2	0147140603	Hex head screw M12 x 55	4		
3	4812240197	Washer	4		
4	4700791541	Adapter	1		
5	4700904728	Straight connector ORFS	2		
6	4812245030	Orifice adapter	1		

Comments for Page: F800 auger motor assembly

(L)OCAL REMARK

A | Use item 4812243607 on SN: 10002127L0C003440, SN: 10002133T0C004413, SN: 10002133TFC004579, SN: 10002133TFC005022, SN:10002133TFC005232, SN: 10002133TFC005246

F800 drive motor assembly F800 drive motor assembly



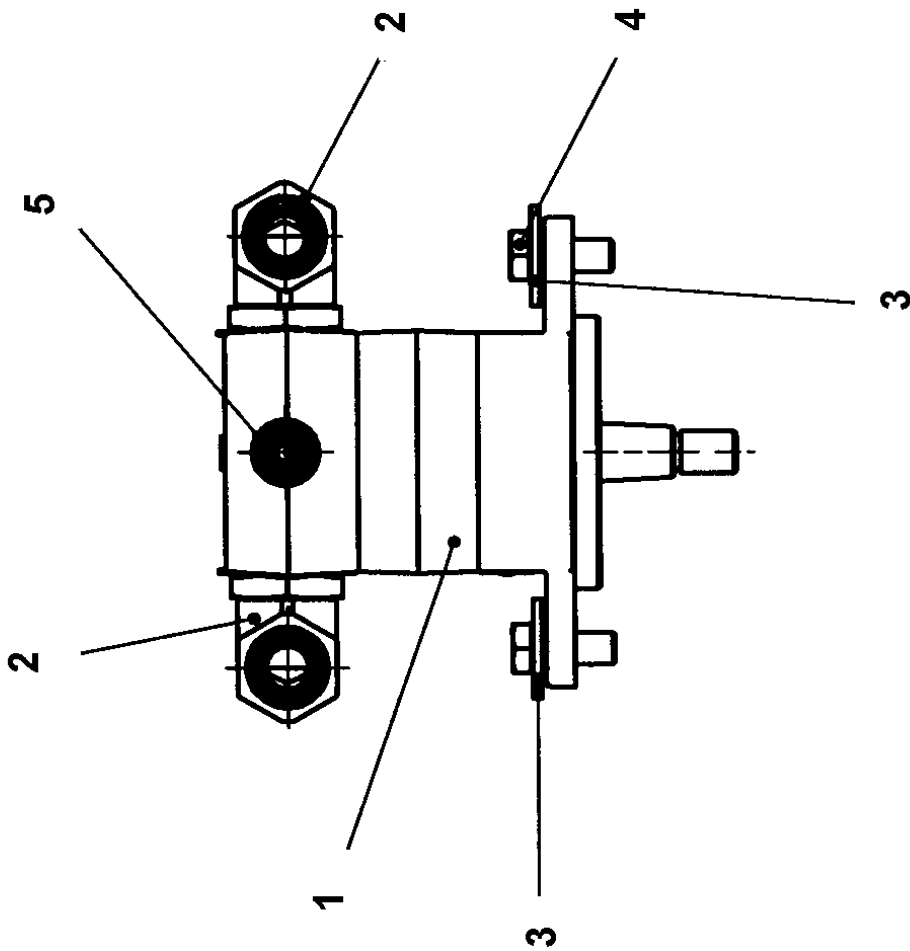
Item	Part No.	Name	Qty	L	SN INFO
1	4812243622	Motor propel, assembly	1		
2	4700791213	Adapter	2		
3	4700791823	Adapter	1		
4	4700791914	Adapter	2		
5	4812240197	Washer	8		
6	0211140403	Hex sock. screw	8		
7	4812244145	Motor o-ring	1		
8	D939776129	Locking washer	2		
9	D938116929	Hex. screw	2		
10	4812241556	SAE split flange	4		
11	4812241562	O-ring	2		

F800 drive motor assembly 4812243622 Motor propel assembly

NO EXPLODED VIEW
AVAILABLE
FOR THIS BOM

Item	Part No.	Name	Qty	L	SN INFO
1	4812157075	Coil kit, 24 volt	1		
2	4700396601	Speed sensor	1		
3	4812315787	Overhaul seal kit	1		

Hydraulic component assembly Fan motor assembly

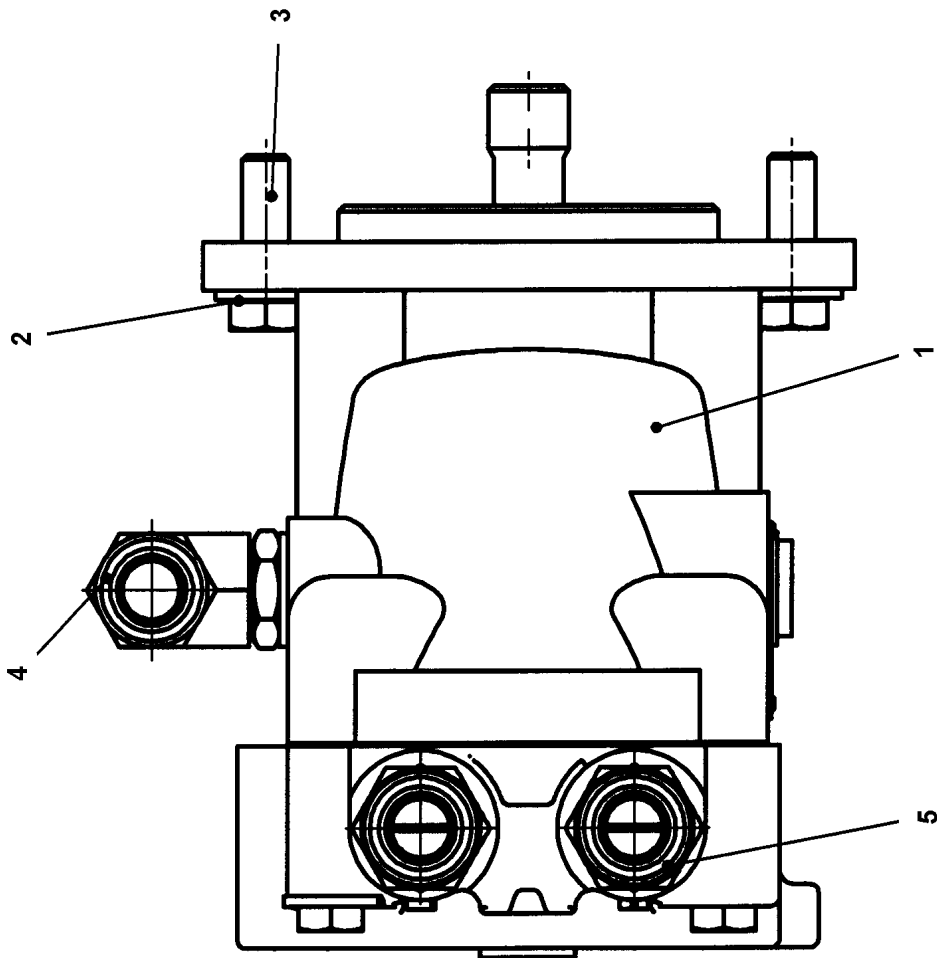


Refer to Parts Online for the most up to date information. The printed information might be outdated.

Wed Oct 21 02:01:27 MDT 2015

Item	Part No.	Name	Qty	L	SN INFO
1	4812243626	Fan motor	1		
2	4700791321	Elbow adapter 90	2		
3	4812243398	Washer	2		
4	0147140103	Hex head screw M12 x 30	2		
5	4700791540	Adapter	1		

Hydraulic component assembly Generator motor assembly

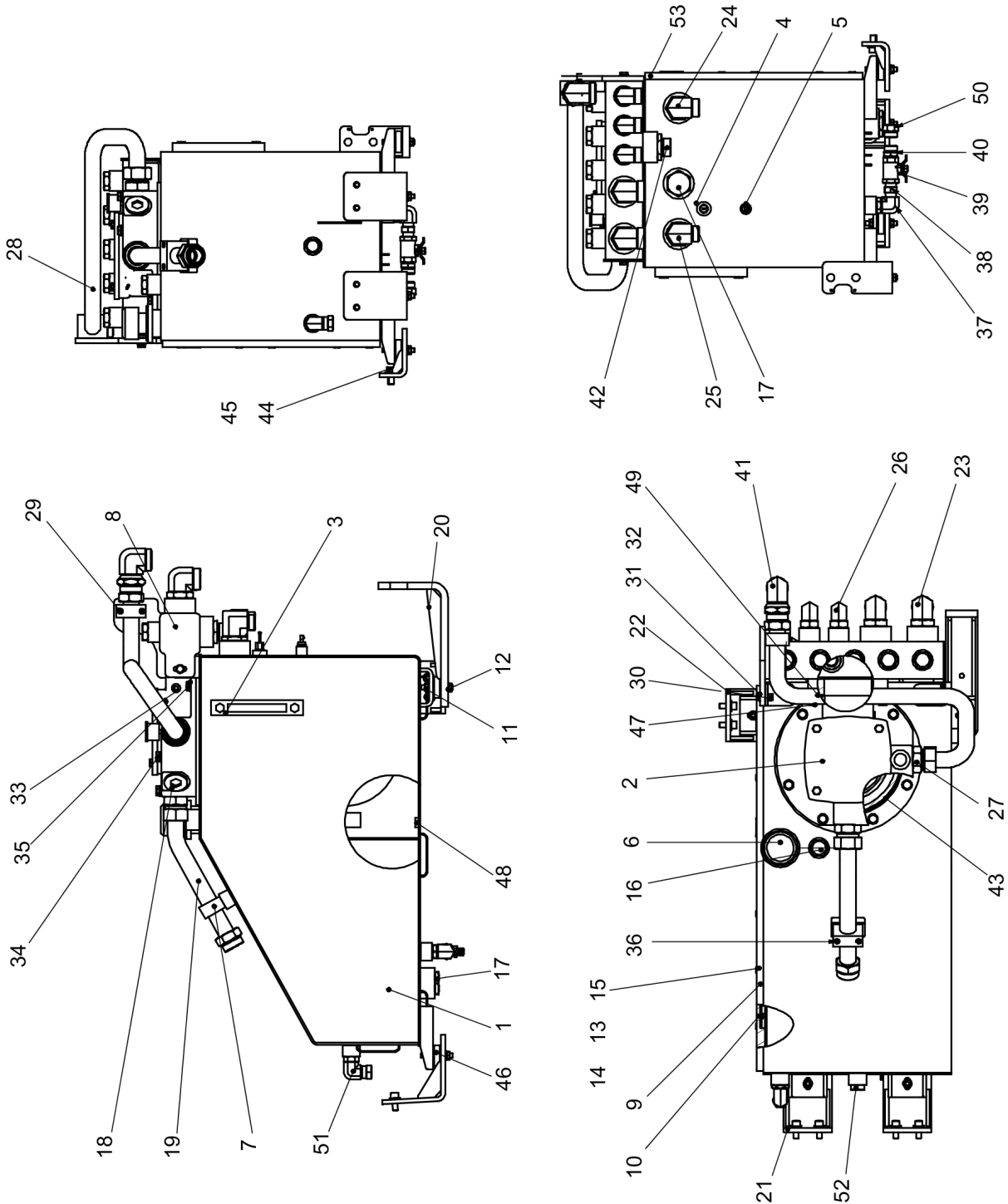


Refer to Parts Online for the most up to date information. The printed information might be outdated.

Wed Oct 21 02:01:27 MDT 2015

Item	Part No.	Name	Qty	L	SN INFO
1	D717100506	Motor, hydraulic	1		
2	D717801086	Flat washer, 0.5'	2		
3	D717800736	Screw, 1/2'	2		
4	4700791838	Adapter	1		
5	4700791823	Adapter	2		

Hydraulic tank assembly Hydraulic tank assembly



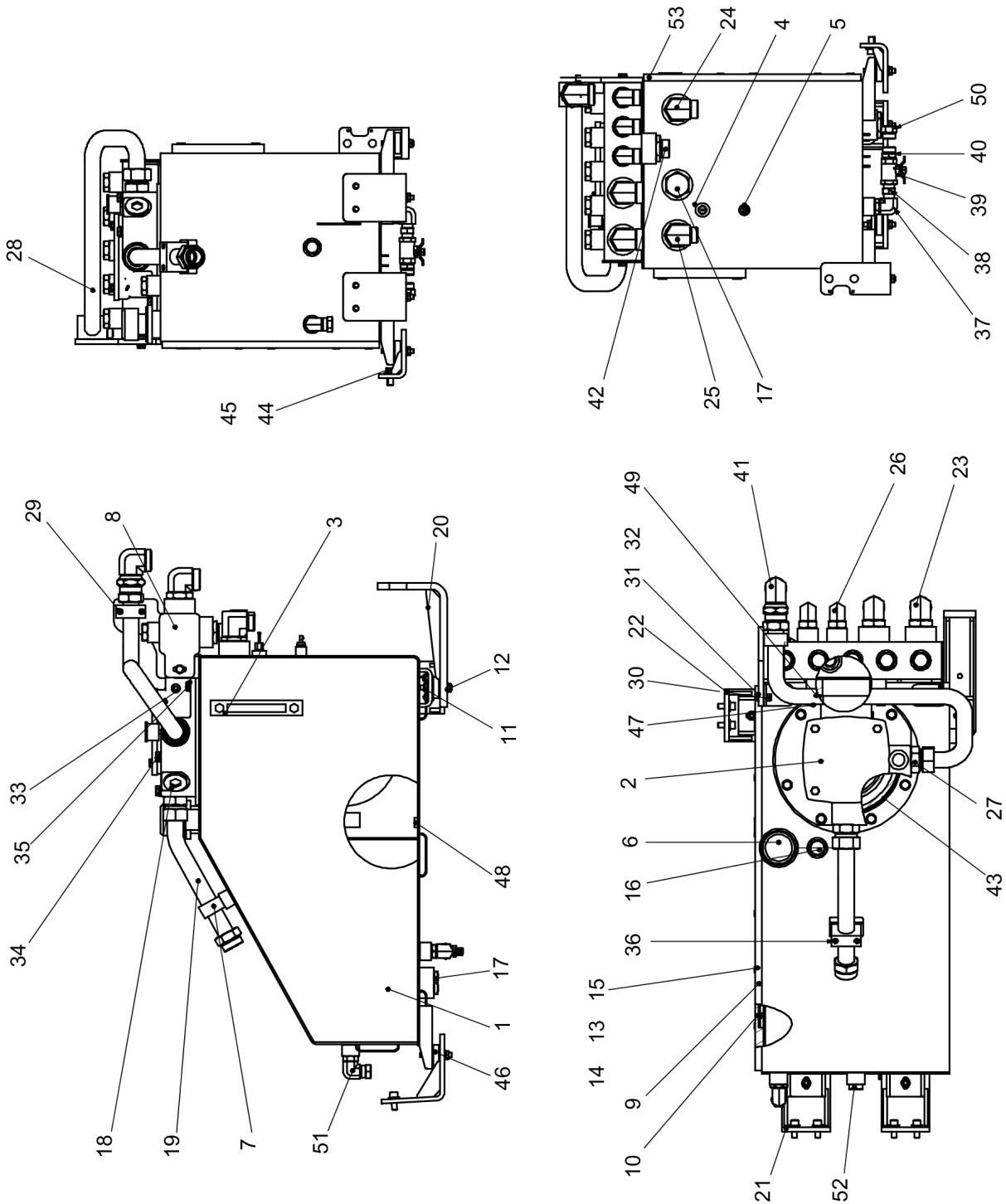
Refer to Parts Online for the most up to date information. The printed information might be outdated.

Wed Oct 21 02:01:28 MDT 2015

Item	Part No.	Name	Qty	L	SN INFO
1	4812243960	Hydraulic tank	1		
2	4812220770	Hydraulic filter	1		
3	D717084545	Gauge, hydraulic sight	1		
4	4812220734	Temperature sensor	1		
5	D717084554	Temperature sensor	1		
6	4812223965	Cap, tank fill	1		
7	4812220780	Clamp, stauff	2		
8	4812243342	Hydraulic suction manifold	1		
9	4812245216	Plate	2		
10	4812245339	Retaining ring	2		
11	0266211100	Hexagon nut	8		
12	D939776115	Washer	8		
13	0147132203	Hex. head screw M8 x 16	12		
14	4749001598	Spring washer	12		
15	D936870016	Washer	12		
16	D717801968	Plug, 16	6		
17	4812241758	Plug	2		
18	D717802059	Plug, 24	1		
19	4812245101	Return pipe	1		
20	4812245039	Hydraulic tank	1		
21	4812245036	Hydraulic tank	2		
22	4812245042	Hydraulic tank	1		
23	4812245329	Adapter	2		
24	4812245332	Adapter	1		
25	4812245331	Adapter	1		
26	4812245330	Adapter	3		
27	4812245337	Adapter	2		
28	4812245099	Return pipe	1		
29	0211125603	Hexagon socket head cap screw	2		
30	0291118549	Hexagon nut	2		
31	0301234400	Plain washer M10.5/22	2		
32	4812223295	Hexagon bolt	2		
33	0301235800	Plain washer 13 x 24 x 2.5	12		
34	4812242531	Bolt	2		
35	0147140003	Hex head screw M12 x 25	4		
36	0211196498	Hexagon socket head cap screw	2		
37	4812220143	Elbow, 12	1		

Refer to Parts Online for the most up to date information. The printed information might be outdated.

Wed Oct 21 02:01:28 MDT 2015



Item	Part No.	Name	Qty	L	SN INFO
38	4812220142	Nipple, 12	1		
39	D717080023	Ball valve	1		
40	4812245335	Adapter	1		
41	4812245333	Adapter	1		
42	4812245334	Adapter	1		
43	4812221201	O-ring	1		
44	D939776117	Flat washer	6		
45	0211140103	Hex socket head cap screw	6		
46	D930458510	Rubber buffer	4		
47	0147140203	Hex. head screw M12 x 35	4		
48	D717084548	Magnet	1		
49	D717084546	O-ring, suction manifold seal	1		
50	4812248091	Adapter	1		
51	4700791231	Adapter	1		
52	D717802304	Hex plug	2		
53	4812204470	F800T hydraulic accessories	1		

Hydraulic tank assembly 4812220770 Assembly, hydraulic filter tier IV

**NO DRAWING
AVAILABLE
FOR THIS BOM**

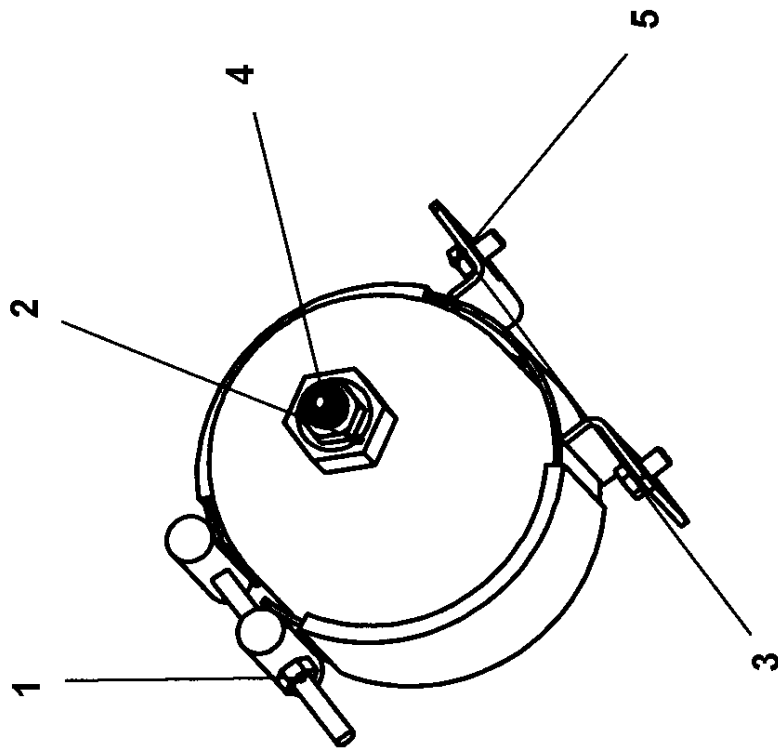
Item	Part No.	Name	Qty	L	SN INFO
1	D717951135	Kit, seal rkm400	1		
2	D717951142	Indicator	1		
3	4812220771	Element, filter	1		

Hydraulic tank assembly 4812204470 F800T hydraulic accessories

NO EXPLODED VIEW
AVAILABLE
FOR THIS BOM

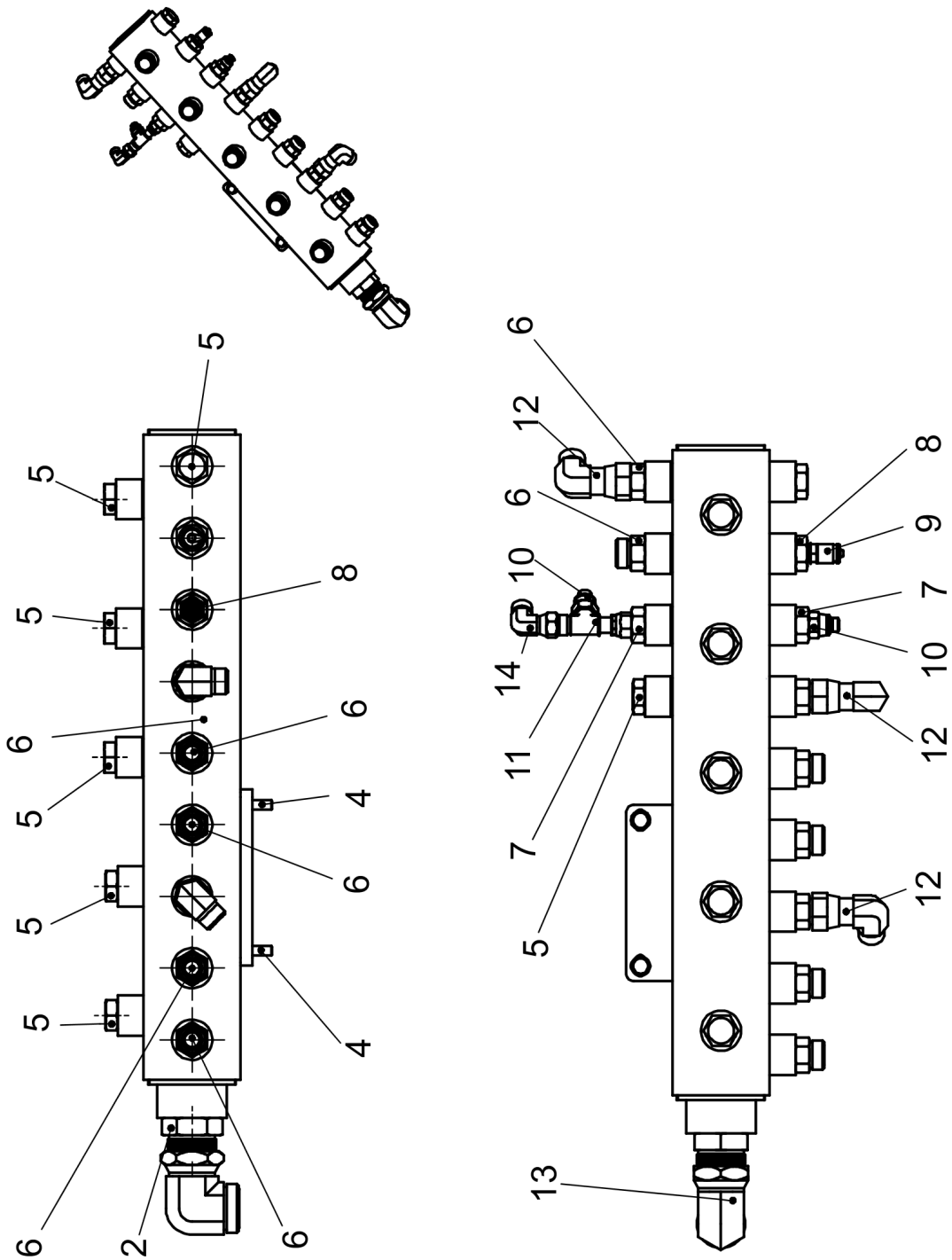
Item	Part No.	Name	Qty	L	SN INFO
1	4812204472	Heat insulation	1		
2	4700792700	Hose guard	5.5		
3	4700792699	Hose guard	4.5		
4	4700792701	Hose guard	5.5		

Hydraulic component assembly Accumulator assembly



Item	Part No.	Name	Qty	L	SN INFO
1	D717093506	Clamp, accumulator mounting	1		
2		Accumulator, Track tension circuit	1		
2_01	D717090502	Accumulator, Track tension circuit	1		
2_02		Nitrogen gas	1		
3	0301233500	Washer DIN125	2		
4	4700791828	Adapter	1		
5	0147110911	Hexagon head screw	2		

Hydraulic component assembly Case drain assembly

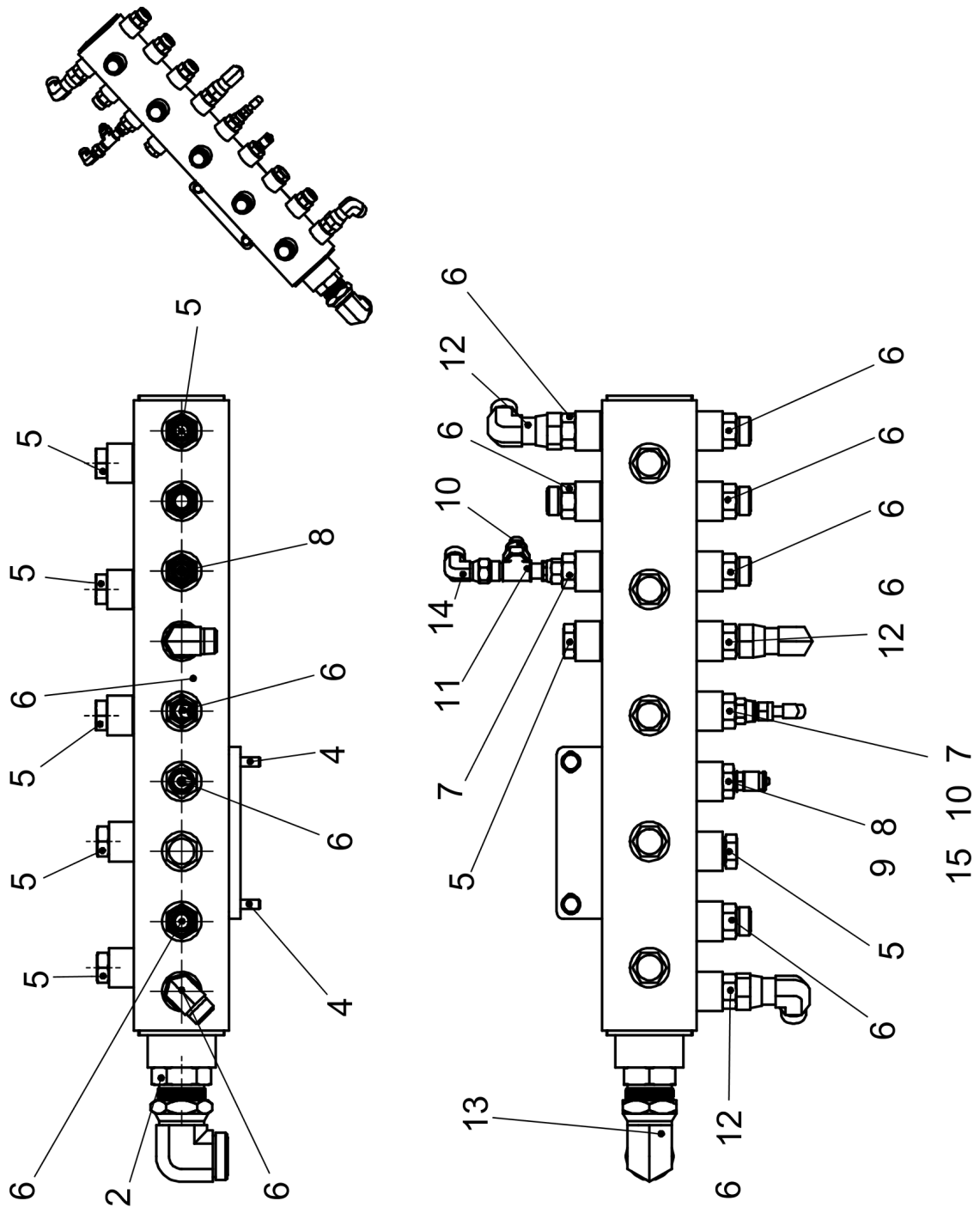


Refer to Parts Online for the most up to date information. The printed information might be outdated.

Wed Oct 21 02:01:30 MDT 2015

Item	Part No.	Name	Qty	L	SN INFO
1	4812244892	Case drain manifold	1		
2	4812114189	Adapter	1		
3	0301234400	Plain washer M10.5/22	2		
4	0147136403	Hex. head screw	2		
5	D717802304	Hex plug	7		
6	4700791823	Adapter	8		
7	4700791850	Adapter	2		
8	4812245446	Plug	1		
9	4812200398	Test port, male	1		
10	4700792823	Adapter	2		
11	4700791798	Adapter	1		
12	4812247067	Adapter	3		
13	4812245333	Adapter	1		
14	4700791745	Elbow 90, O-ring with swivel	1		

Hydraulic component assembly 4812244900 Case drain block assembly

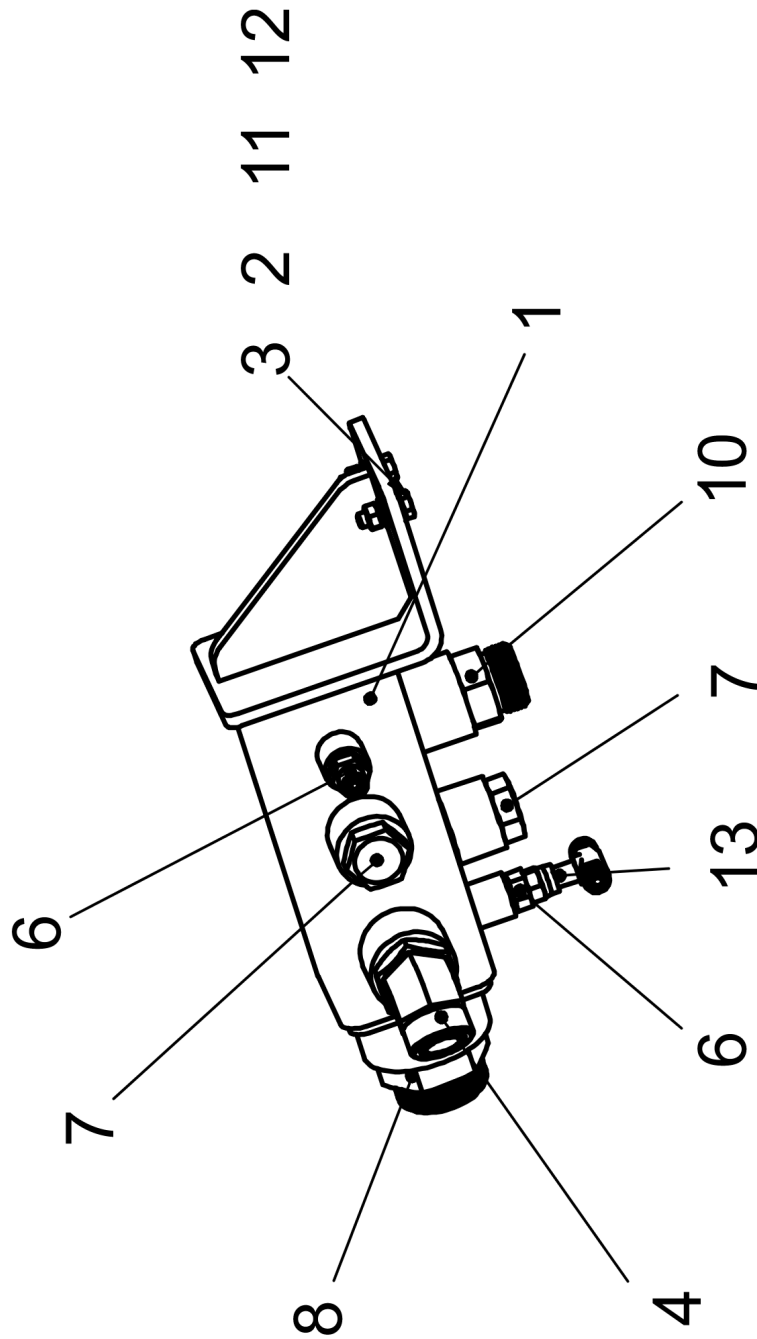


Refer to Parts Online for the most up to date information. The printed information might be outdated.

Wed Oct 21 02:01:30 MDT 2015

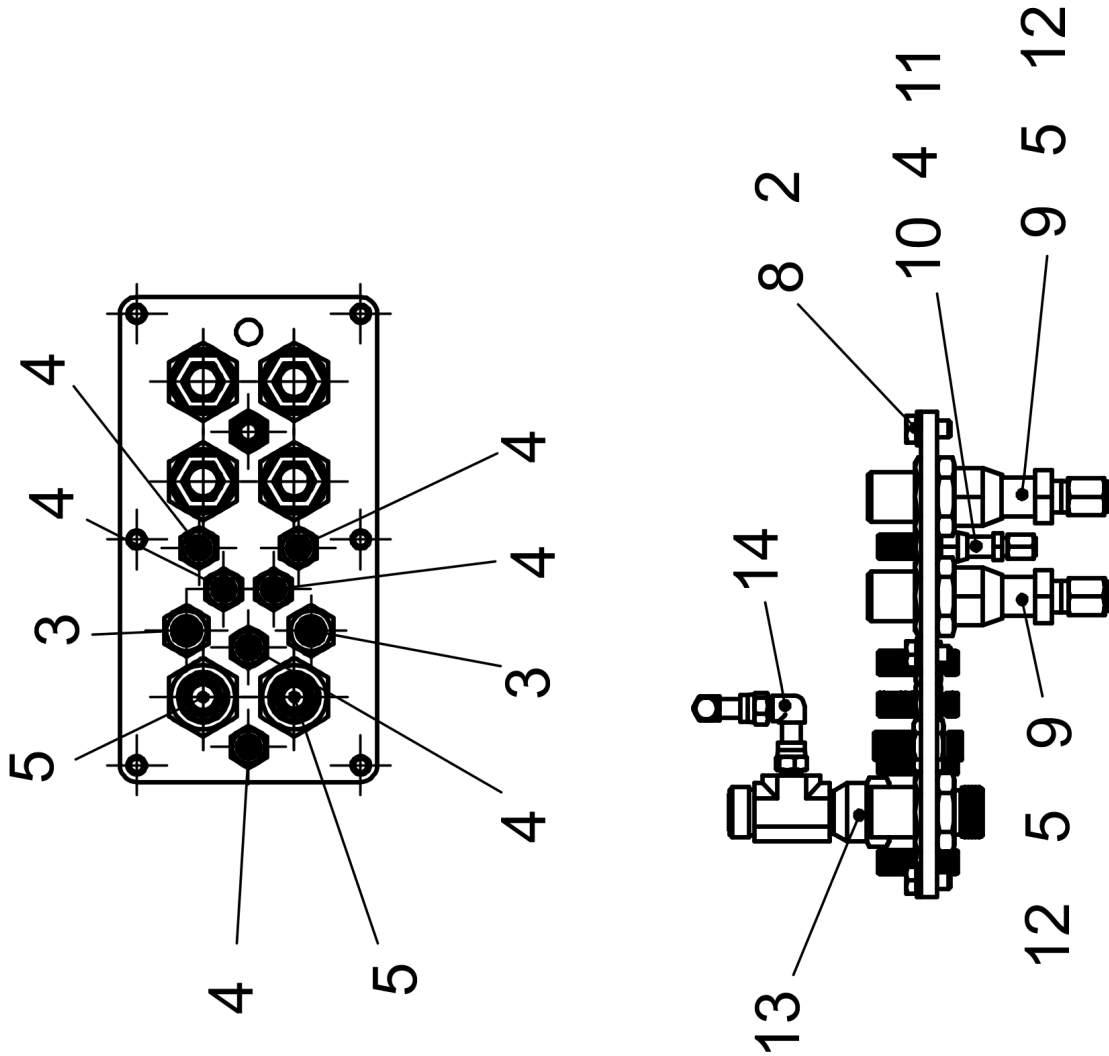
Item	Part No.	Name	Qty	L	SN INFO
1	4812244892	Case drain manifold	1		
2	4812114189	Adapter	1		
3	0301234400	Plain washer M10.5/22	2		
4	0147136403	Hex. head screw	2		
5	D717802304	Hex plug	7		
6	4700791823	Adapter	8		
7	4700791850	Adapter	2		
8	4812245446	Plug	1		
9	4812200398	Test port, male	1		
10	4700792823	Adapter	2		
11	4700791798	Adapter	1		
12	4812247067	Adapter	3		
13	4812245333	Adapter	1		
14	4700791745	Elbow 90, O-ring with swivel	1		
15	4700791403	Elbow 45	1		

Hydraulic component assembly Return manifold assembly



Item	Part No.	Name	Qty	L	SN INFO
1	4812244901	Return manifold	1		
2	0301233500	Washer DIN125	4		
3	5540112100	Hexagon head screw	2		
4	4700791212	Adapter	1		
6	4700791914	Adapter	2		
7	D717802304	Hex plug	2		
8	4812114189	Adapter	1		
10	4700792339	Adapter	1		
11	4812240307	Washer	2		
12	0266211000	Hexagon nut M8	2		
13	4812245466	Adapter	1		

Hydraulic component assembly Connector plate assembly

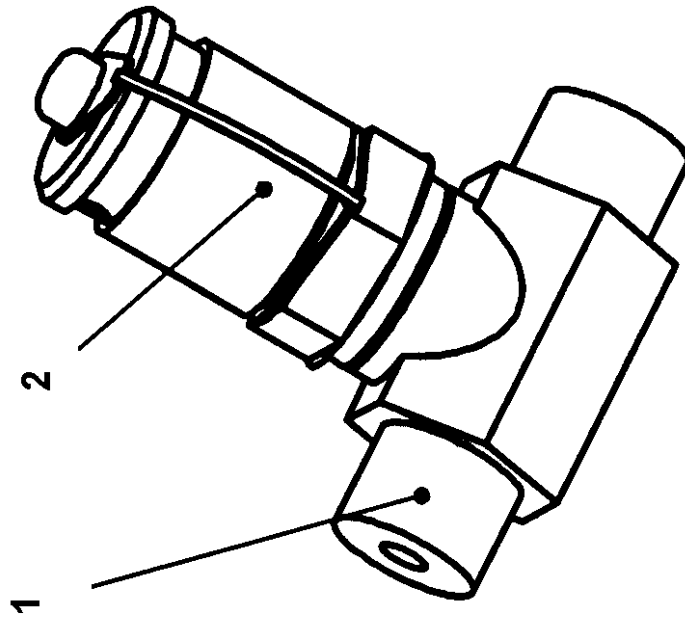


Refer to Parts Online for the most up to date information. The printed information might be outdated.

Wed Oct 21 02:01:31 MDT 2015

Item	Part No.	Name	Qty	L	SN INFO
1	4812245057	Plate	1		
2	0301234400	Plain washer M10.5/22	6		
3	4700791830	Adapter	2		
4	4700792170	Adapter	7		
5	4700904580	Adapter	6		
8	0147136003	Hex. head screw M10 x 20	6		
9	4812248131	Adapter	4		
10	4812248127	Adapter	1		
11	4812248132	Adapter	1		
12	4812248133	Adapter	4		
13	4812245030	Orifice adapter	1		
14	4812113110	Adapter	2		

Hydraulic component assembly Drive motor adapter



Item	Part No.	Name	Qty	L	SN INFO
1	4812245655	Adapter	1		
2	4812200398	Test port, male	1		

Hydraulic component assembly 4812248090 Hose kit, hydraulic F800

NO EXPLODED VIEW
AVAILABLE
FOR THIS BOM

Item	Part No.	Name	Qty	L	SN INFO
1	4812247923	Hose	2		
2	4812246109	Hose	1		
3	4812246110	Hose	1		
4	4812246121	Hose	2		
5	4812247974	Hose	4		
6	4812247743	Hose	1		
7	4812246112	Hose	1		
8	4812246113	Hose	1		
9	4812247975	Hose	2		
10	4812246114	Hose	1		
11	4812246117	Hose	1		
12	4812246118	Hose	1		
13	4812204208	Hose	2		
14	4812246119	Hose	1		
15	4812246933	Hose	1		
16	4812247744	Hose	1		
17	4812247745	Hose	1		
18	4812247925	Hose	1		
19	4812247924	Hose	2		
20	4812247983	Hose	1		
21	4812246129	Hose	1		
22	4812246130	Hose	1		
23	4812246132	Hose	1		
24	4812247926	Hose	1		
25	4812246133	Hose	1		
26	4812246135	Hose	1		
27	4812246136	Hose	1		
28	4812246137	Hose	1		
29	4812246138	Hose	1		
30	4812246463	Hose	1		
31	4812246141	Hose	1		
32	4812246143	Hose	1		
33	4812246144	Hose	1		
34	4812246145	Hose	1		
35	4812247747	Hose	1		
36	4812247984	Hose	1		
37	4812247987	Hose	1		

Refer to Parts Online for the most up to date information. The printed information might be outdated.

Wed Oct 21 02:01:33 MDT 2015

NO EXPLODED VIEW
AVAILABLE
FOR THIS BOM

Item	Part No.	Name	Qty	L	SN INFO
38	4812246148	Hose	1		
39	4812246149	Hose	1		
40	4812246151	Hose	1		
41	4812246152	Hose	1		
42	4812247749	Hose	2		
43	4812246153	Hose	1		
44	4812246154	Hose	2		
45	4812246155	Hose	1		
46	4812246156	Hose	2		
48	4812246159	Hose	1		
49	4812246160	Hose	2		
50	4812246162	Hose	1		
51	4812246163	Hose	1		
52	4812246164	Hose	2		
53	4812247751	Hose	1		
54	4812247985	Hose	1		
55	4812247986	Hose	2		
56	4812247752	Hose	1		
57	4812246166	Hose	1		
58	4812246167	Hose	1		
59	4812247753	Hose	1		
60	4812246168	Hose	2		
61	4812247755	Hose	1		
62	4812246169	Hose	1		
63	4812246170	Hose	1		
64	4812247757	Hose	2		
65	4812246174	Hose	1		
66	4812247758	Hose	2		
67	4812246175	Hose	1		
68	4812248696	Hose	2		
69	4812246177	Hose	2		
70	4812246934	Hose	1		
71	4812249248	Hose	1		
72	4812247922	Hose	2		
73	4812246458	Hose	2		
74	4812246183	Hose	3		
75	4812246188	Hose	1		

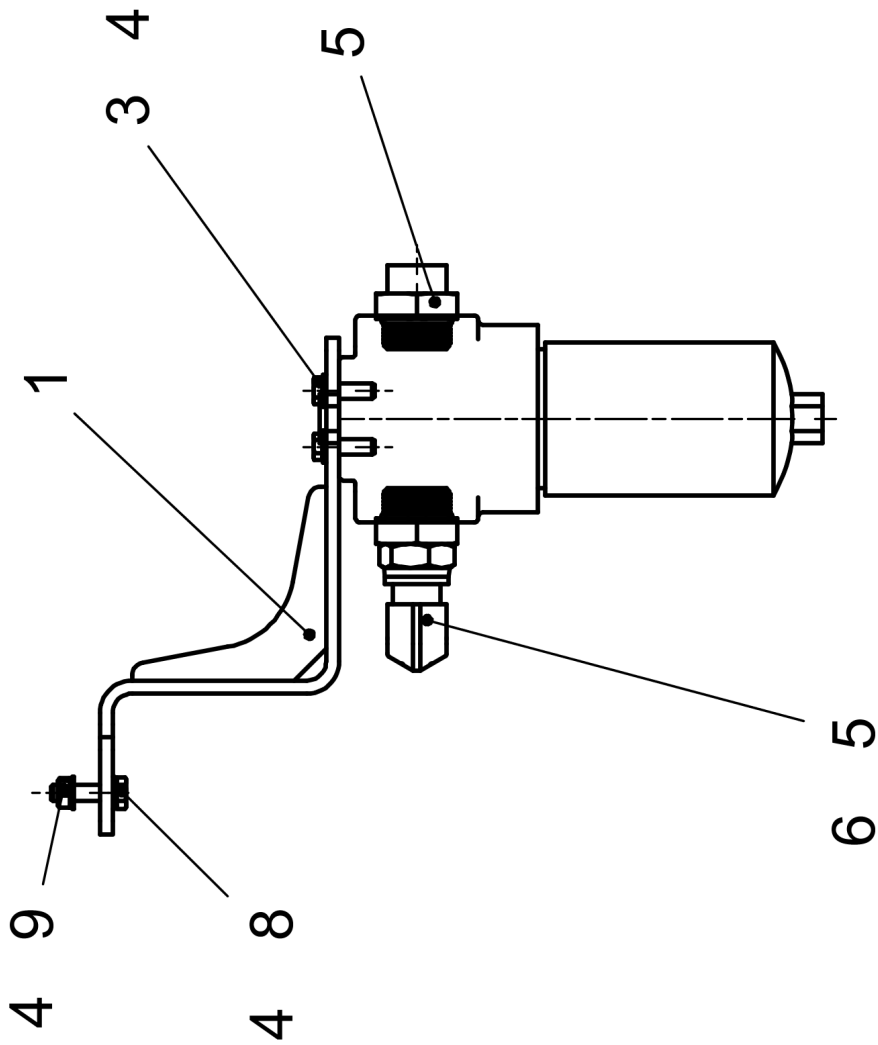
Refer to Parts Online for the most up to date information. The printed information might be outdated.

Wed Oct 21 02:01:33 MDT 2015

NO EXPLODED VIEW
AVAILABLE
FOR THIS BOM

Item	Part No.	Name	Qty	L	SN INFO
76	4812246189	Hose	1		
77	4812246191	Hose	2		
78	4812248697	Hose	2		
79	4812246192	Hose	1		
80	4812246194	Hose	1		
81	4812248694	Hose	1		
82	4812246195	Hose	1		
83	4812246457	Hose	2		
84	4812246935	Hose	2		
85	4812246936	Hose	1		
86	4812246937	Hose	1		
87	4812246938	Hose	1		
88	4812248704	Hose	1		
89	4812248703	Hose	1		

Hydraulic component assembly Filter assembly

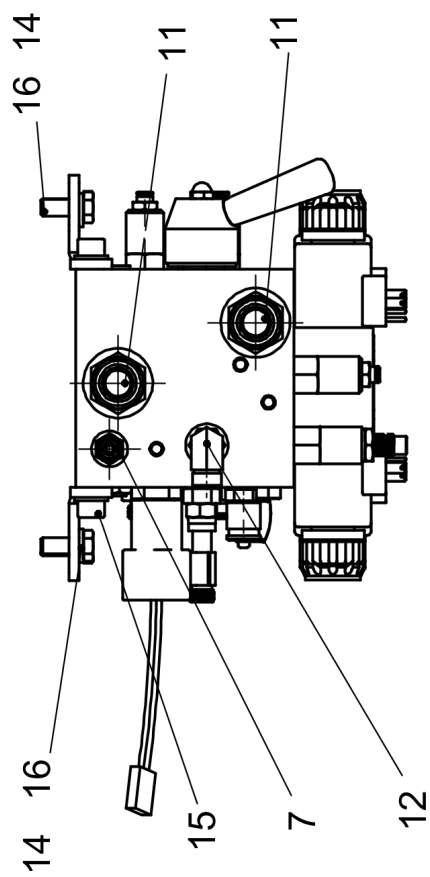
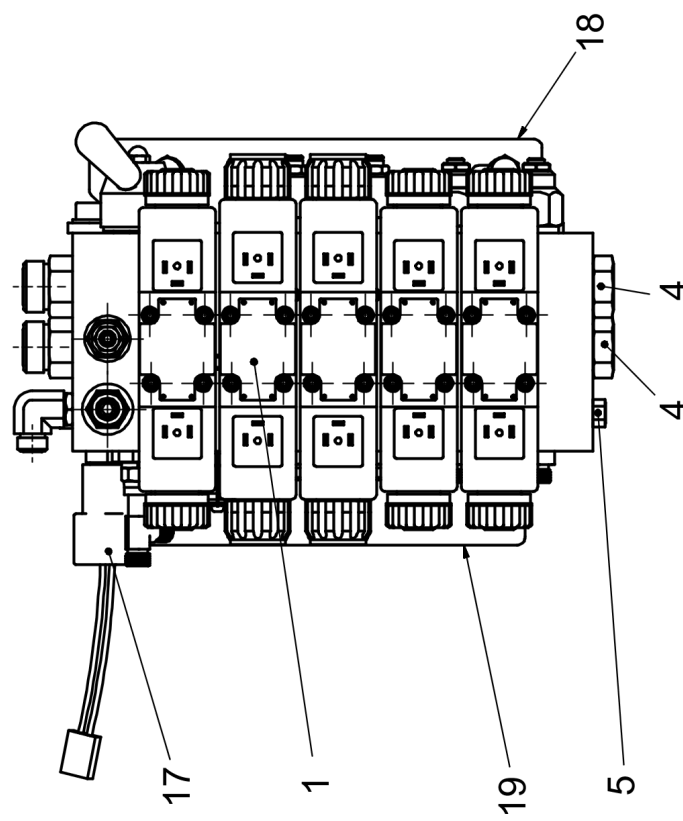
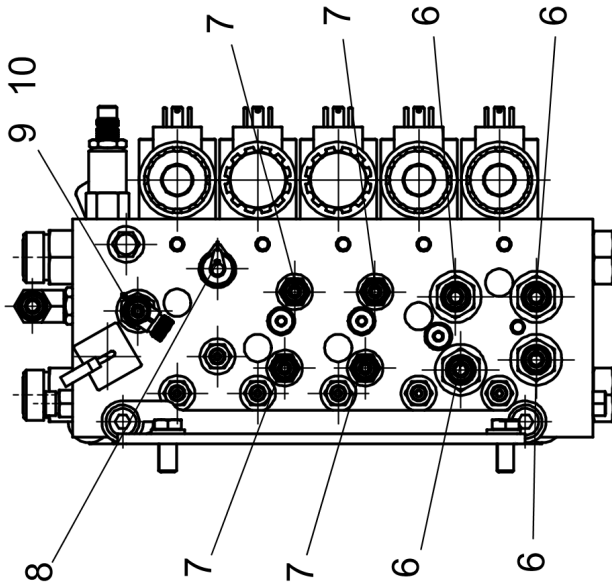


Refer to Parts Online for the most up to date information. The printed information might be outdated.

Wed Oct 21 02:01:34 MDT 2015

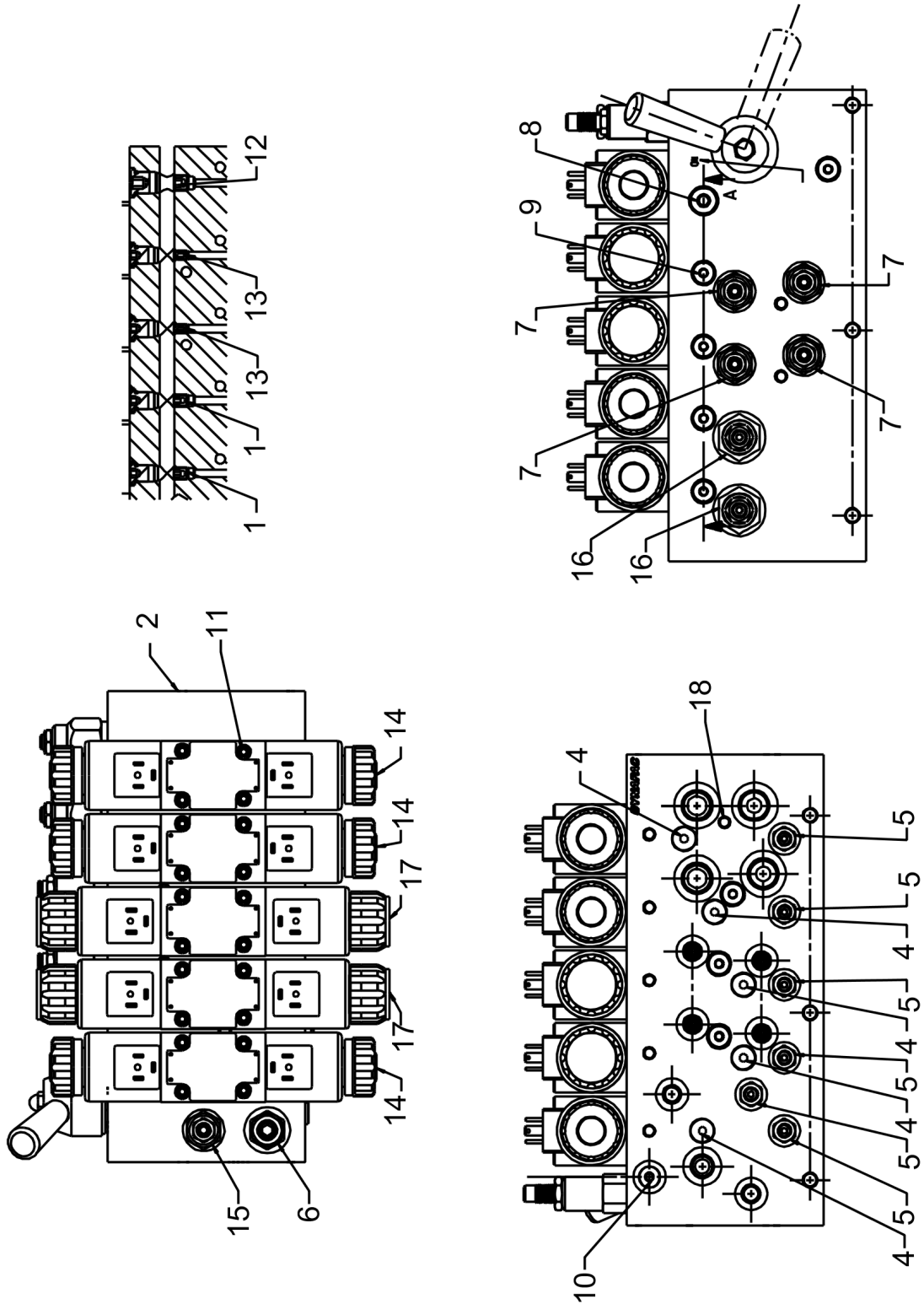
Item	Part No.	Name	Qty	L	SN INFO
1	4812246671	Weldment	1		
2	4812220748	Filter, high-pressure	1		
01	4812220749	Element, high pressure filter	1		
02	4812269103	Kit, seal	1		
03	4812270280	Indicator	1		
3	4812200323	Screw, 3/8'	4		
4	0301234400	Plain washer M10.5/22	4		
5	4812244690	Adapter	2		
6	4700904495	Elbow 90°	1		
7	0301234400	Plain washer M10.5/22	4		
8	0147196264	Screw DIN933	2		
9	0266211100	Hexagon nut	2		

F800 front main valve F800 front main valve



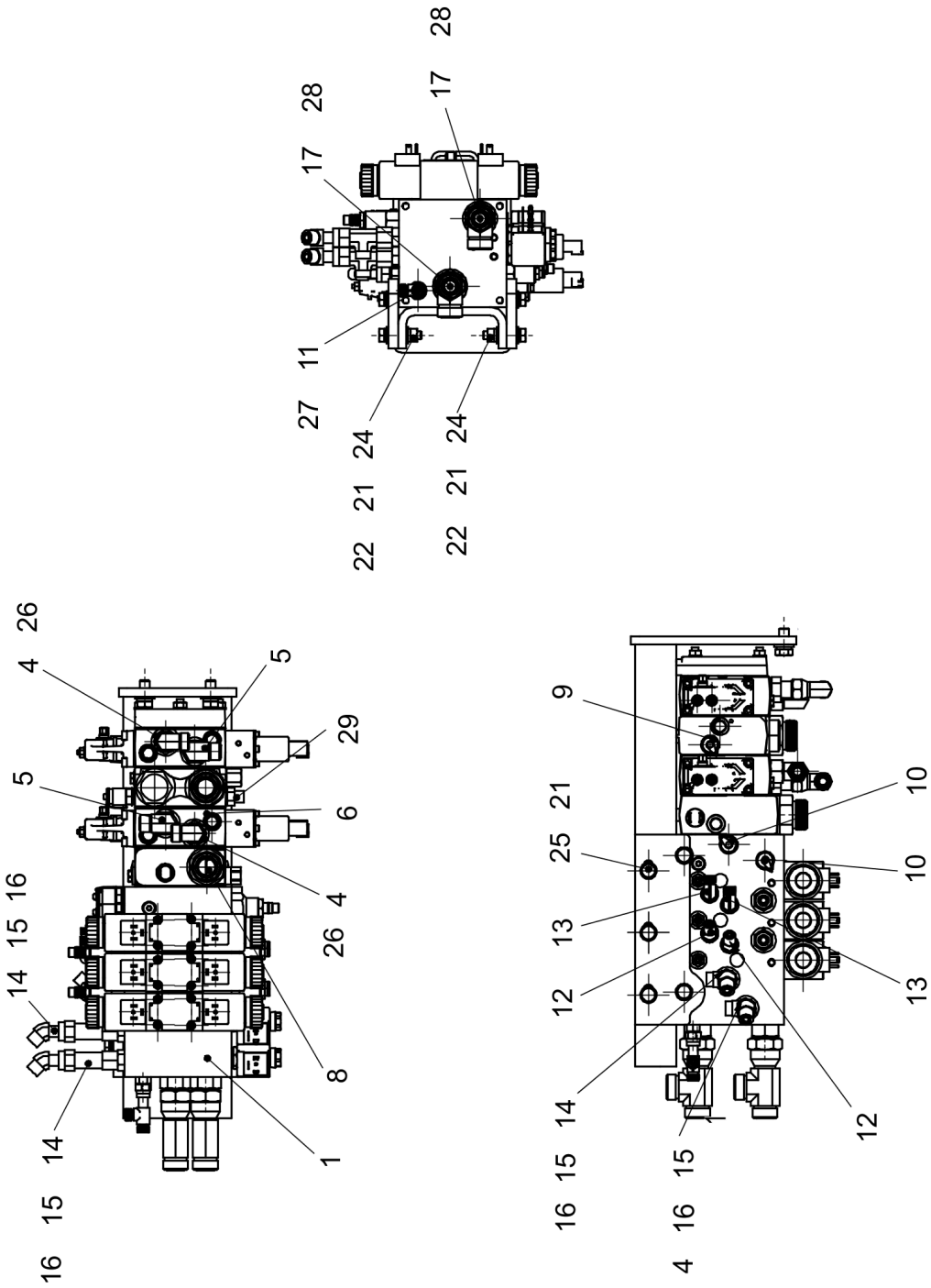
Item	Part No.	Name	Qty	L	SN INFO
1	4812247011	F800 front main valve	1		
4	D717802304	Hex plug	2		
5	D717802276	External plug, 04	2		
6	4700791828	Adapter	4		
7	4700791744	Adapter	5		
8	4812200398	Test port, male	1		
9	4700791914	Adapter	1		
10	4812244854	Adapter	1		
11	4700791823	Adapter	2		
12	4700791846	Adapter	1		
14	0301234400	Plain washer M10.5/22	8		
15	0211136203	Screw DIN912	4		
16	4812223284	Hexagon bolt	4		
17	D717101509	Pressure switch	1		
18	4812204650	F800 front hic plate	1		
19	4812204649	F800 Front hic plate	1		

F800 front main valve 4812247011 F800 front main valve



Item	Part No.	Name	Qty	L	SN INFO
1	D717953844	Orifice plug	2		
2	-	Body	1		
3	4812274549	Valve	1		
4	D717952703	Valve, CP124	5		
5	D717952710	Valve, 3C100	6		
6	4812274550	Valve	1		
7	D717952717	Valve, CP448	4		
8	D717952843	Plug, 6 SAE	1		
9	D717952850	Plug, 4 SAE	4		
10	D717952864	Tapered plug, 4 SAE	14		
11	-	Screw	20		
12	-	Plug	1		
13	D717953046	Orifice plug	2		
14	D717951800	Valve	3		
15	D717953802	Valve, CP448	1		
16	D717953809	Valve, CB10	2		
17	D717954173	Valve, CV08	2		
18	-	Plug	31		

F800 rear hic standard F800 rear hic standard



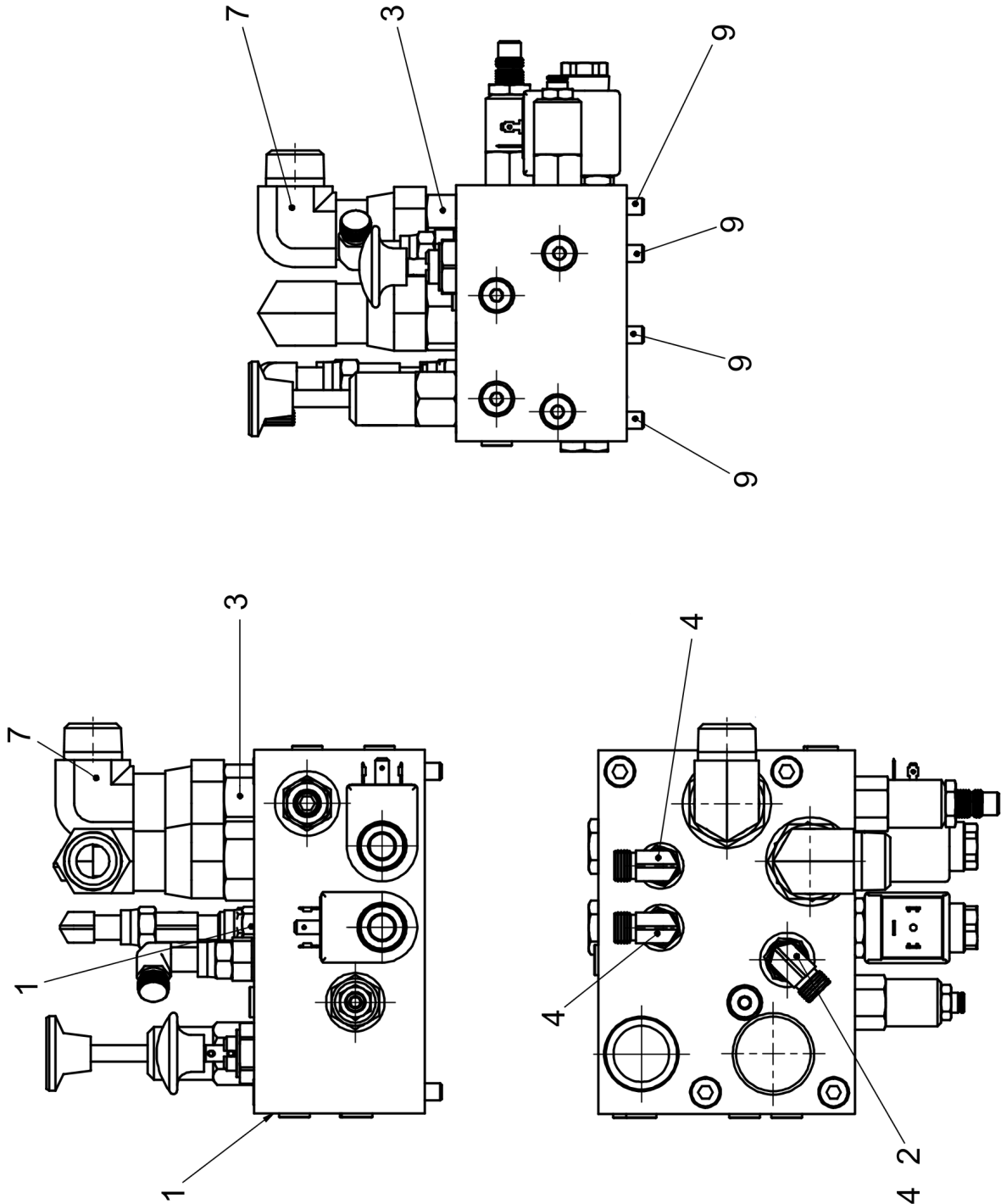
Item	Part No.	Name	Qty	L	SN INFO
1	4812247008	F800 rear hic standard	1		
2	4812246800	F800 rear hic support plate	1		
3	4812246798	F800 rear hic plate	2		
4	4700791410	Straight o-ring connector	2		
5	4700792133	Adapter	2		
6	4700792339	Adapter	1		
7	D717801968	Plug, 16	1		
8	4700792338	Adapter	1		
9	D717090505	Test port, male	1		
10	4812200398	Test port, male	2		
11	4700791744	Adapter	5		
12	4700791403	Elbow 45	2		
13	4812113110	Adapter	2		
14	4700791828	Adapter	2		
15	4700791414	T-connection, O-ring with swivel	2		
16	4700791402	Adapter	2		
17	4700791823	Adapter	2		
18	0301235800	Plain washer 13 x 24 x 2.5	2		
19	4812240197	Washer	2		
20	0147140003	Hex head screw M12 x 25	2		
21	0301234400	Plain washer M10.5/22	16		
22	4812240226	Washer	16		
23	0147136303	Hex. head screw	4		
24	0266211100	Hexagon nut	6		
25	4812223879	Narrow washer	6		
26	4700791745	Elbow 90, O-ring with swivel	2		
27	4812244854	Adapter	1		
28	4700904496	Adapter	2		
29	4700791914	Adapter	1		

F800 rear hic standard 4812247008 F800 rear hic standard

NO EXPLODED VIEW
AVAILABLE
FOR THIS BOM

Item	Part No.	Name	Qty	L	SN INFO
1	-	Body	1		
2	-	Orifice	1		
3	D717952703	Valve, CP124	3		
4	D717952710	Valve, 3C100	3		
5	4812274557	Valve	2		
6	D717952717	Valve, CP448	4		
7	-	Plug	3		
8	D717952864	Tapered plug, 4 SAE	10		
9	-	Screw	12		
10	4812270278	Plug, orifice M6X1	2		
11	-	Orifice	1		
12	D717951800	Valve	3		
13	4812270220	Valve, SVP08	2		
14	4812274558	Valve	1		
15	-	Plug	27		

Hic propel gearbox & pump Hic propel gearbox & pump

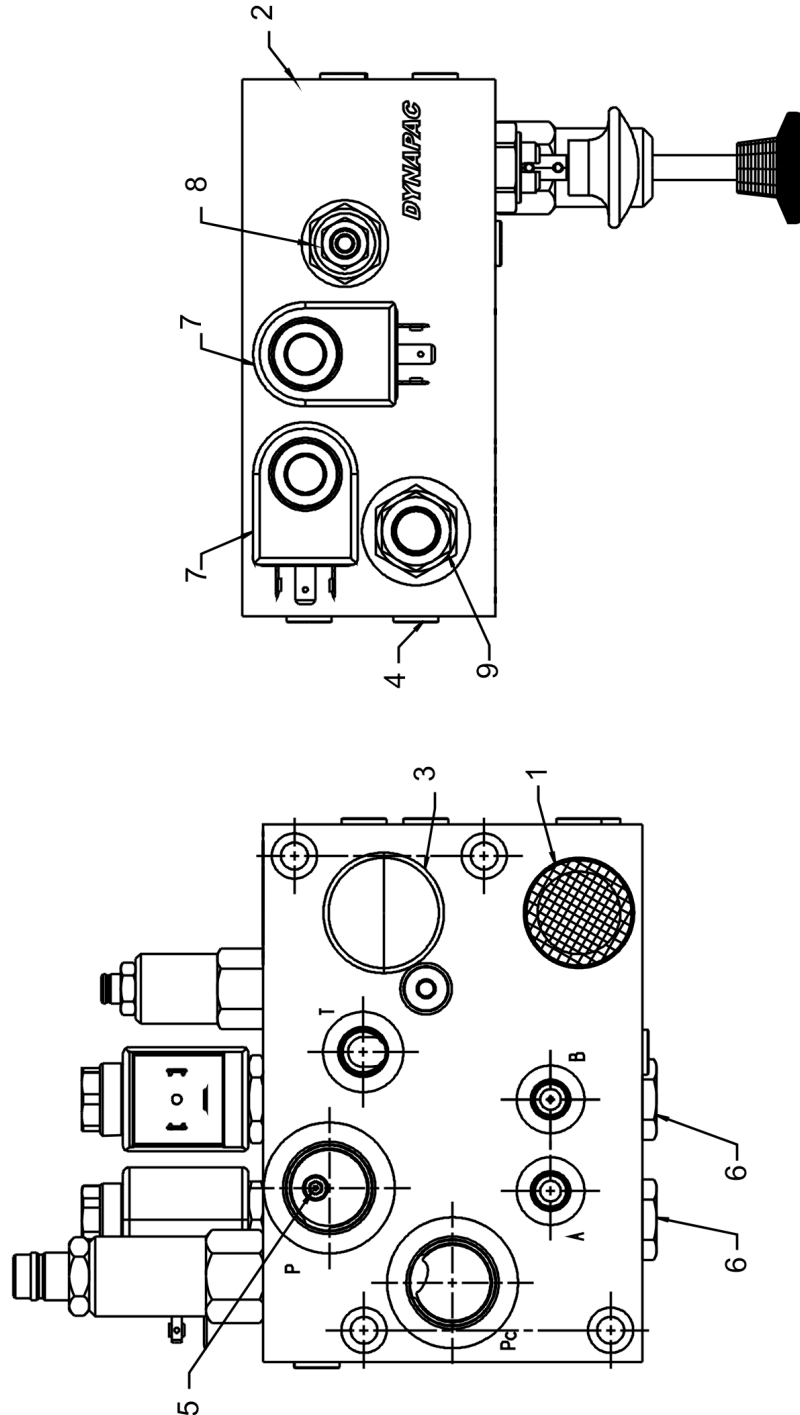


Refer to Parts Online for the most up to date information. The printed information might be outdated.

Wed Oct 21 02:01:37 MDT 2015

Item	Part No.	Name	Qty	L	SN INFO
1	4812247012	Hic, propel gearbox & pump	1		
2	4700791914	Adapter	1		
3	4700791823	Adapter	2		
4	4812113110	Adapter	3		
5	4700791744	Adapter	2		
6	4812244854	Adapter	2		
7	4812247067	Adapter	2		
8	4812240307	Washer	4		
9	0211196392	Hexagon socket head cap screw	4		

Hic propel gearbox & pump 4812247012 Hic, propel gearbox & pump

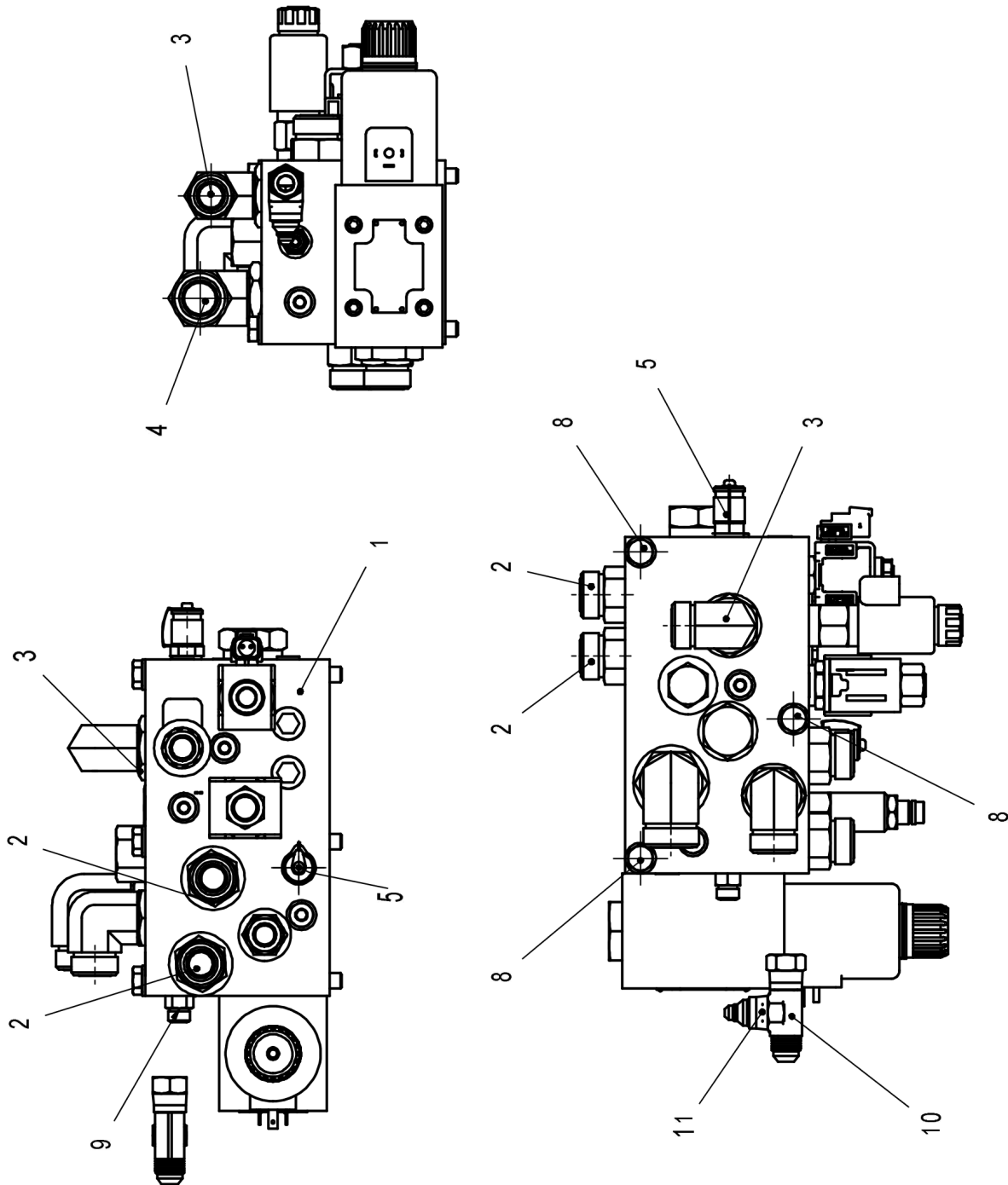


Refer to Parts Online for the most up to date information. The printed information might be outdated.

Wed Oct 21 02:01:37 MDT 2015

Item	Part No.	Name	Qty	L	SN INFO
1	4812274559	Valve	1		
2	-	Body	1		
3	4812274560	Valve	1		
4	D717952864	Tapered plug, 4 SAE	8		
5	-	Orifice	1		
6	4812274561	Valve	2		
7	D717954852	Valve, SV08	2		
8	4812274562	Valve	1		
9	4812274563	Valve	1		

Hic, Vibration & fan assembly HIC, Vibration & fan assembly

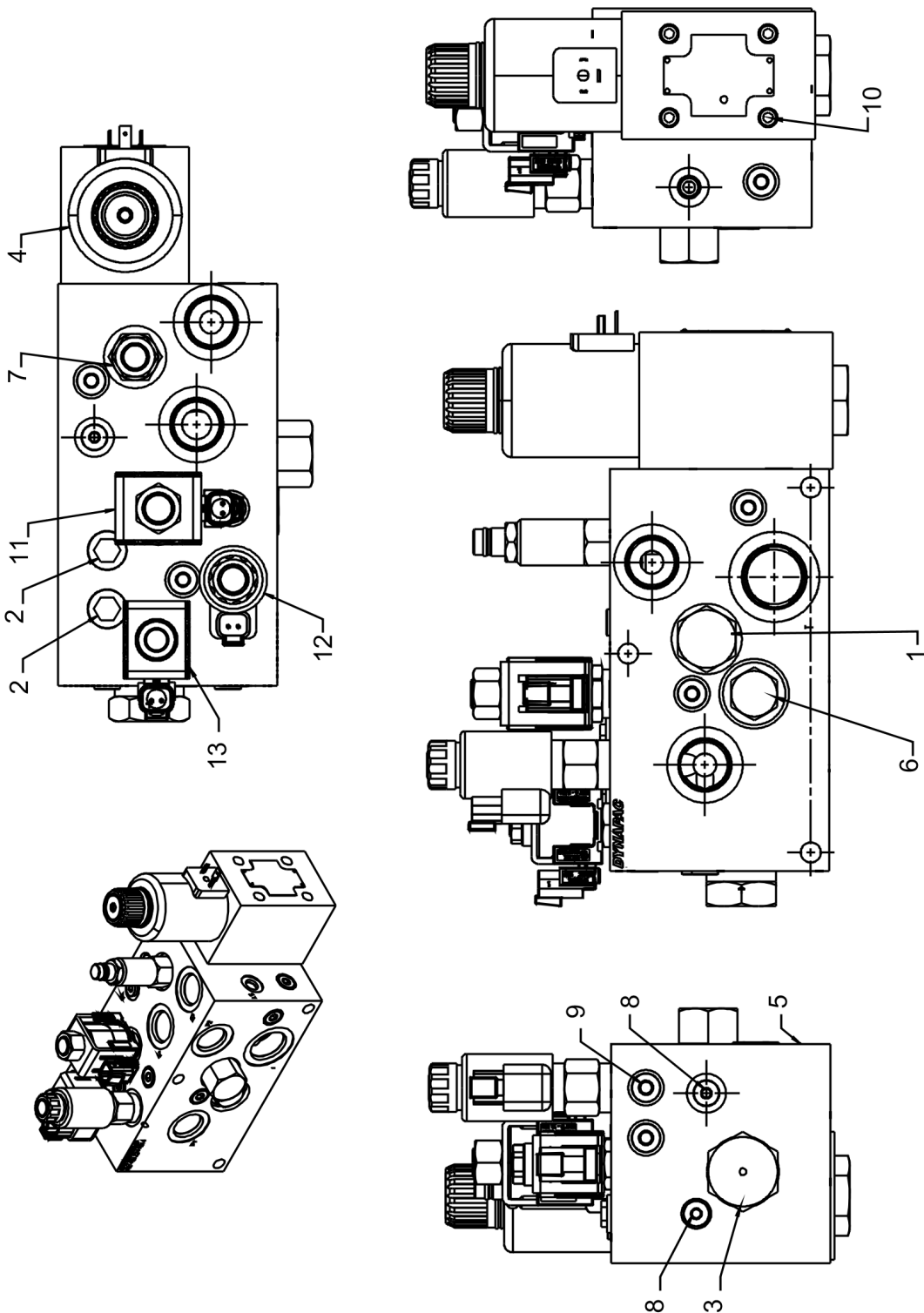


Refer to Parts Online for the most up to date information. The printed information might be outdated.

Wed Oct 21 02:01:38 MDT 2015

Item	Part No.	Name	Qty	L	SN INFO
1	4812247014	Hic, vibration & fan	1		
2	4700791823	Adapter	4		
3	4700791231	Adapter	2		
4	4700792299	Adapter	1		
5	4812200398	Test port, male	2		
7	0301234400	Plain washer M10.5/22	3		
8	D938111422	Screw	3		
9	4700791744	Adapter	1		
10	4812248705	Adapter	1		
11	4812248706	Adapter	1		

Hic, Vibration & fan assembly 4812247014 Hic, vibration & fan

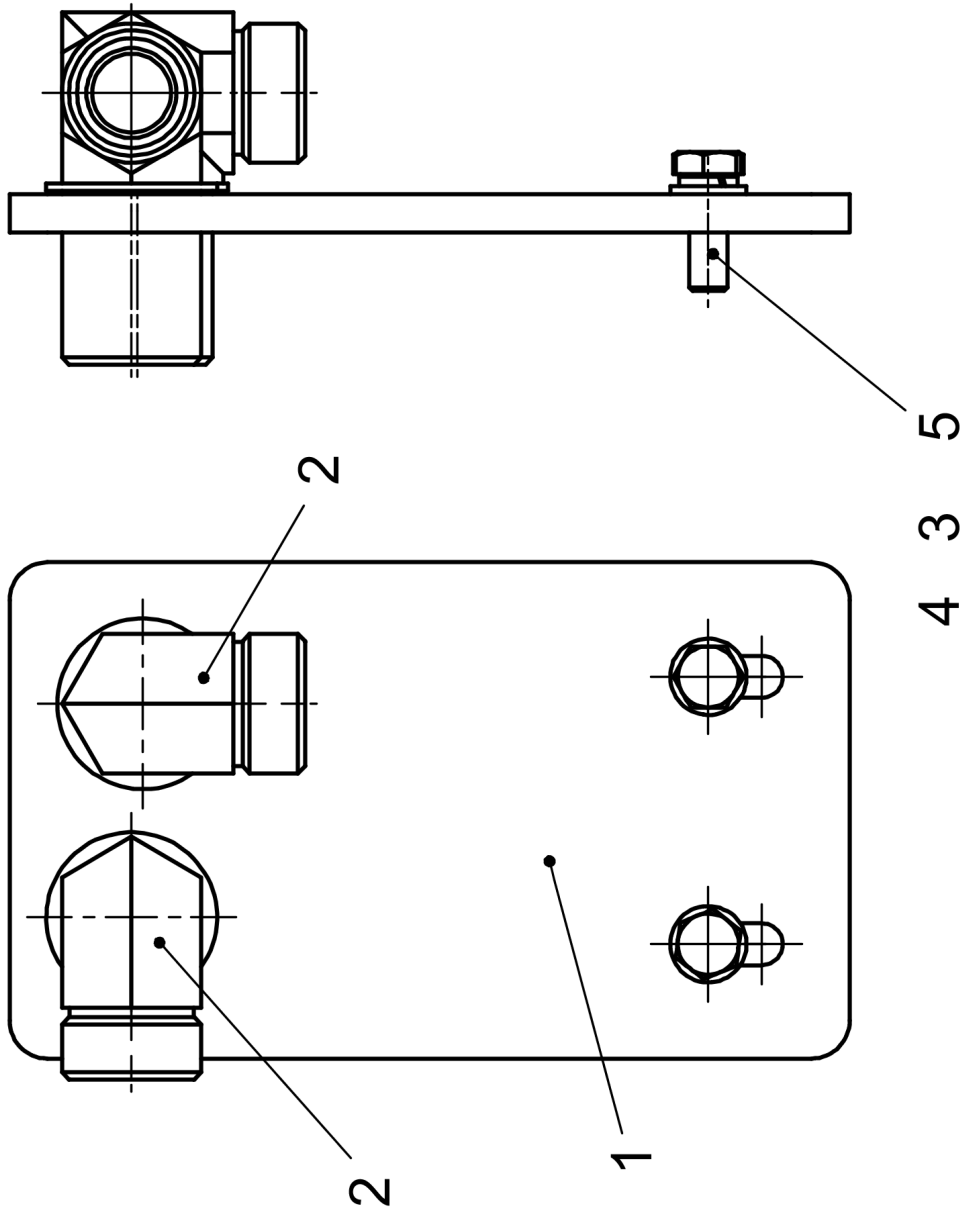


Refer to Parts Online for the most up to date information. The printed information might be outdated.

Wed Oct 21 02:01:38 MDT 2015

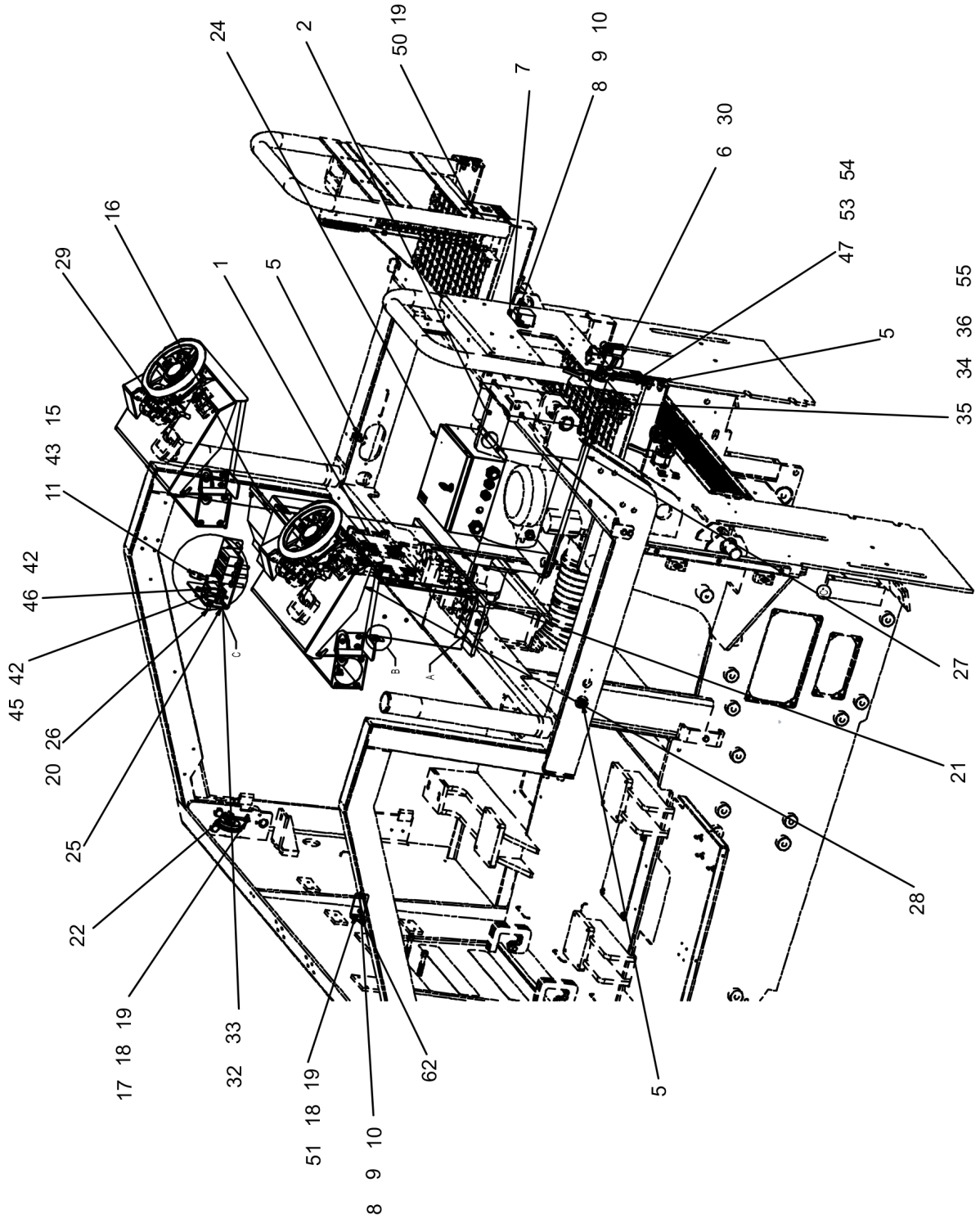
Item	Part No.	Name	Qty	L	SN INFO
1	4812274564	Valve	1		
2	4812274565	Valve	2		
3	4812274566	Valve	1		
4	4812274567	Valve	1		
5	-	Body	1		
6	4812274568	Valve	1		
7	4812274569	Valve	1		
8	D717952864	Tapered plug, 4 SAE	5		
9	D717952871	Plug	9		
10	-	Screw	4		
11	4812274570	Valve	1		
12	4812274571	Valve	1		
13	4812274572	Valve	1		

Hydraulic component assembly Support plate assembly



Item	Part No.	Name	Qty	L	SN INFO
1	4812247085	Plate	1		
2	4812247083	Adapter	2		
3	0301234400	Plain washer M10.5/22	2		
4	4812240226	Washer	2		
5	0147136303	Hex. head screw	2		

Electrical system assembly Electrical system assembly



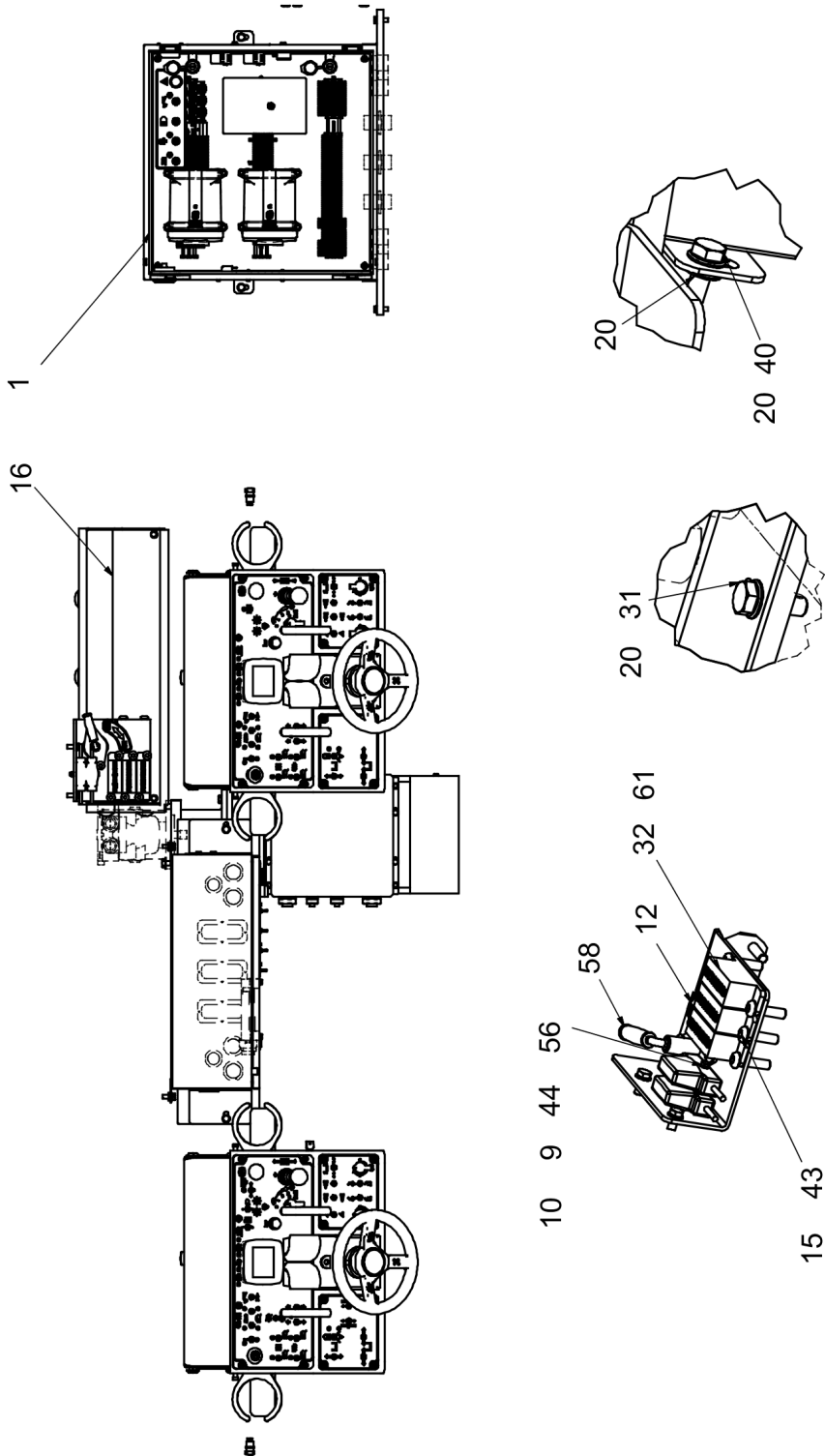
Refer to Parts Online for the most up to date information. The printed information might be outdated.

Wed Oct 21 02:01:41 MDT 2015

Item	Part No.	Name	Qty	L	SN INFO
1	4812244486	DC Control panel, assembly	1		
2	4812247299	Generator drive assembly	1		
5	D717105507	Power outlet	6		
6	D717102002	Sonic pwm sensor, feed system	4		
7	D717101508	Alarm 24V, reverse indication	1		
8	D938155547	Hexagon bolt	4		
9	0301232100	Washer DIN125	8		
10	0291112854	Hexagon nut	5		
11	D717101011	Switch, battery disconnect	1		
12	D717410014	Decal, battery disconnect	1		
15	D717801142	Washer, 10	10		
16	4812248146	Assembly battery box	1		
17	0291111000	Locknut	1		
18	0301233500	Washer DIN125	8		
19	0147132303	Screw DIN933	11		
20	0301234400	Plain washer M10.5/22	10		
21	4812245729	Rubber plate for electric box	1		
22	D717101016	Horn, disc 24V	1		
24	D717104500	Assembly, AC main panel	1		
25	4812244171	Bracket	1		
26	0147136203	Hex head screw M10 x 25	4		
27	4812223608	Generator mount	1		
28	4812245728	F800 Control box, left	1		
29	4812245737	F800 control box right	1		
30	4812245944	Bracket, sonic sensor	2		
31	0147136303	Hex. head screw	2		
32	D717101010	Fuseholder, battery box	3		
33	D717101046	Fuse, 100A	2		
34	D939776124	Washer	4		
35	5730007616	Hexagon nut	4		
36	0147110669	Hexagon head screw	4		
38	4812245662	Electric	1		
39	4812245676	Cables	1		
42	D717101018	Fuseholder, inline	2		
43	0215000613	Hexagon socket button head screw	10		
44	0147125803	Hexagon bolt	1		
45	D717101045	Fuse, 30A	1		

Refer to Parts Online for the most up to date information. The printed information might be outdated.

Wed Oct 21 02:01:41 MDT 2015

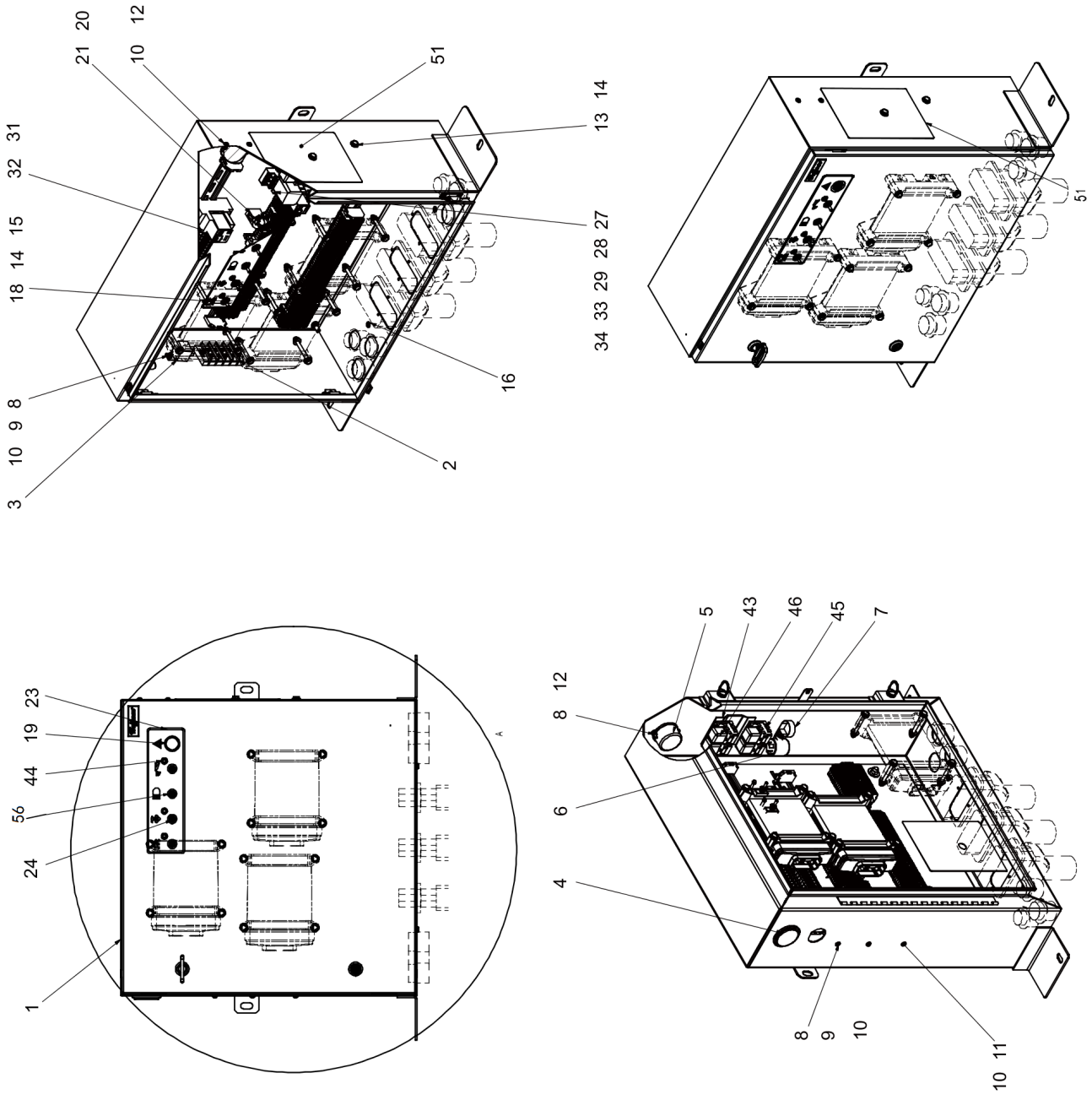


Refer to Parts Online for the most up to date information. The printed information might be outdated.

Wed Oct 21 02:01:41 MDT 2015

Item	Part No.	Name	Qty	L	SN INFO
46	D717101047	Fuse, 50A	1		
47	4812247120	Bracket, sensor connector	2		
50	D939776113	Washer	4		
51	4812240307	Washer	2		
53	5541081000	Recessed raised cheese head sc	24		
54	D938501002	Nut	24		
55	D939505037	Washer	4		
56	4812248332	Spacer	1		
57	4812244885	Dust cap on back wall	6		
58	4812248443	Handle	1		
59	4812221582	Screed replacement plug	1		
60	D717101035	Cable, F1 fuse to F3 fuse	1		
61	D717101048	Fuse, 125A	1		
62	4812247742	Start relay support	1		
63	4812247718	Starter relay	3		
71	0291112818	Locknut	4		
72	4812204449	F800T electrical component kit	1		
73	4812204512	F800T/W software kit	1		

Electrical system assembly DC control panel assembly



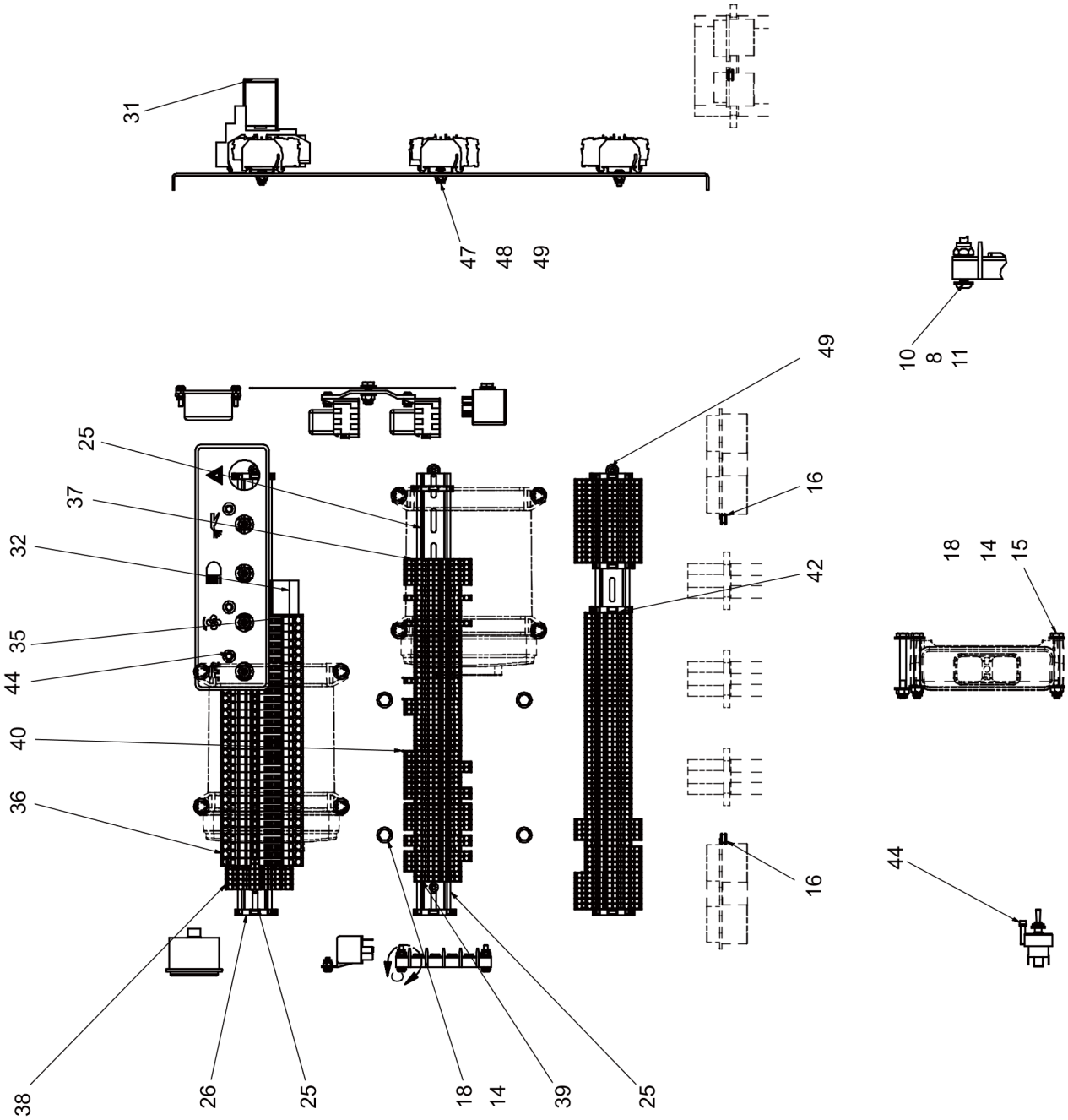
Refer to Parts Online for the most up to date information. The printed information might be outdated.

Wed Oct 21 02:01:43 MDT 2015

Item	Part No.	Name	Qty	L	SN INFO
1		Center console	1		
2	D717104037	Barrier block	1		
3	D717104039	Relay, 80A	1		
4	D717101007	Hour meter	1		
5	D717101515	Inclinometer	1		
6	D717104010	Flasher, 24V	2		
7	D717104038	P clamp, 1.25'	2		
8	D717800869	Lock nut, M8	9		
9	D717800953	Screw, M8	5		
10	D717801093	Washer, 0.164'	11		
11	D717800967	Hex nut, M8	2		
12	D717800946	Hex nut, M8	2		
13	D717800687	Screw, 1/4'	2		
14	D717801058	Narrow flat washer, 0.25'	28		
15	D717800785	Nyloc nut, 1/4'	14		
16	D717103026	Rubber grommet, 5/16'	2		
18	D717800666	Screw, 1/4'	12		
19	D717104011	Push button, warning lights	1		
20	D717103017	Maintained action block	1		
21	D717103016	NO contact	1		
23	4812247275	Decal, DC control panel	1		
24	4812246770	Switch	1		
25	4812220725	Slotted din rail	3		
26	D717104017	End stop, terminal block	8		
27	D717104003	Relay base	5		
28	D717104005	Relay, 24V	5		
29	D717104004	Diode, relay surge protection	5		
30	D717104008	Surge protect diode	1		
31	D717104041	Relay, 24V	1		
32	D717104042	Relay base, 24V	1		
33	D717104006	Relay latch	1		
34	D717104007	Base, latch relay	1		
35	D717104033	End plate, 2 wire fuse block	1		
36	D717104029	Block terminal, 2-wire	39		
37	D717104023	End plate, 4-wire terminal block	11		
38	D717104016	Terminal block, 4-wire	53		
39	D717104014	Terminal block, 2-wire	72		

Refer to Parts Online for the most up to date information. The printed information might be outdated.

Wed Oct 21 02:01:43 MDT 2015

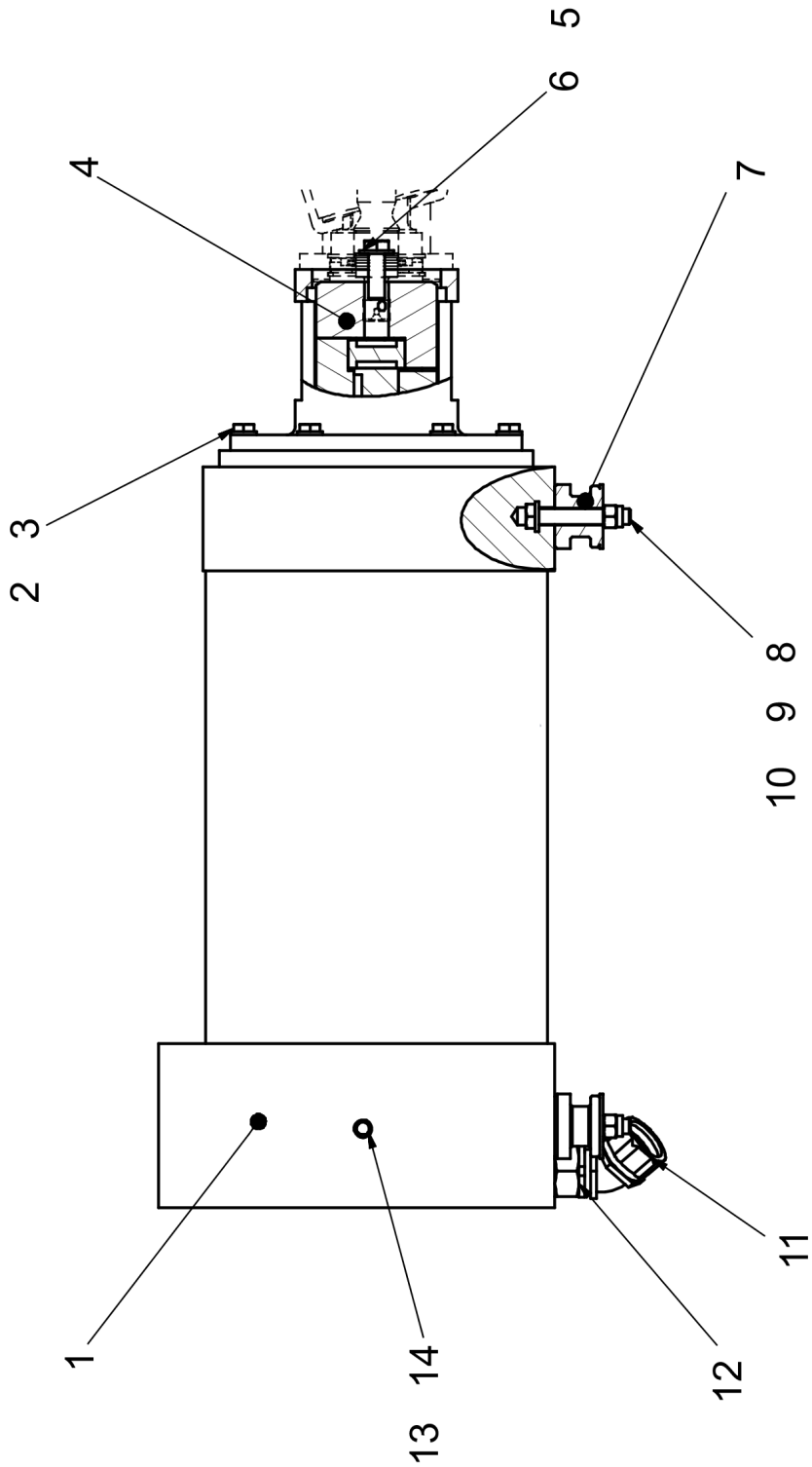


Refer to Parts Online for the most up to date information. The printed information might be outdated.

Wed Oct 21 02:01:43 MDT 2015

Item	Part No.	Name	Qty	L	SN INFO
40	D717104022	End plate, 3-wire terminal block	4		
41	D717104015	Terminal block, 3-wire	16		
42	D717104021	End plate, 2-wire terminal block	2		
43	4812220726	DC relay mount plate	1		
44	D717103013	LED, yellow	3		
45	4812220727	Mini relay socket	4		
46	4812220728	Relay, 24V	4		
47	D717800883	Lock nut, M10	6		
48	D717801142	Washer, 10	6		
49	D717801016	Screw, M10	6		
51	4812247293	Decal, fuse list	1		
52	D717104012	Clip hold down, control relay	4		
53	D717104013	Clip hold down, latch relay	1		
54		F800 DC box diagram	1		
55	4812222170	Toggle switch	2		
56	D717103018	Toggle switch, 3	1		
57	4812246700	Controller, propel system	2		

Generator drive assembly Generator drive assembly

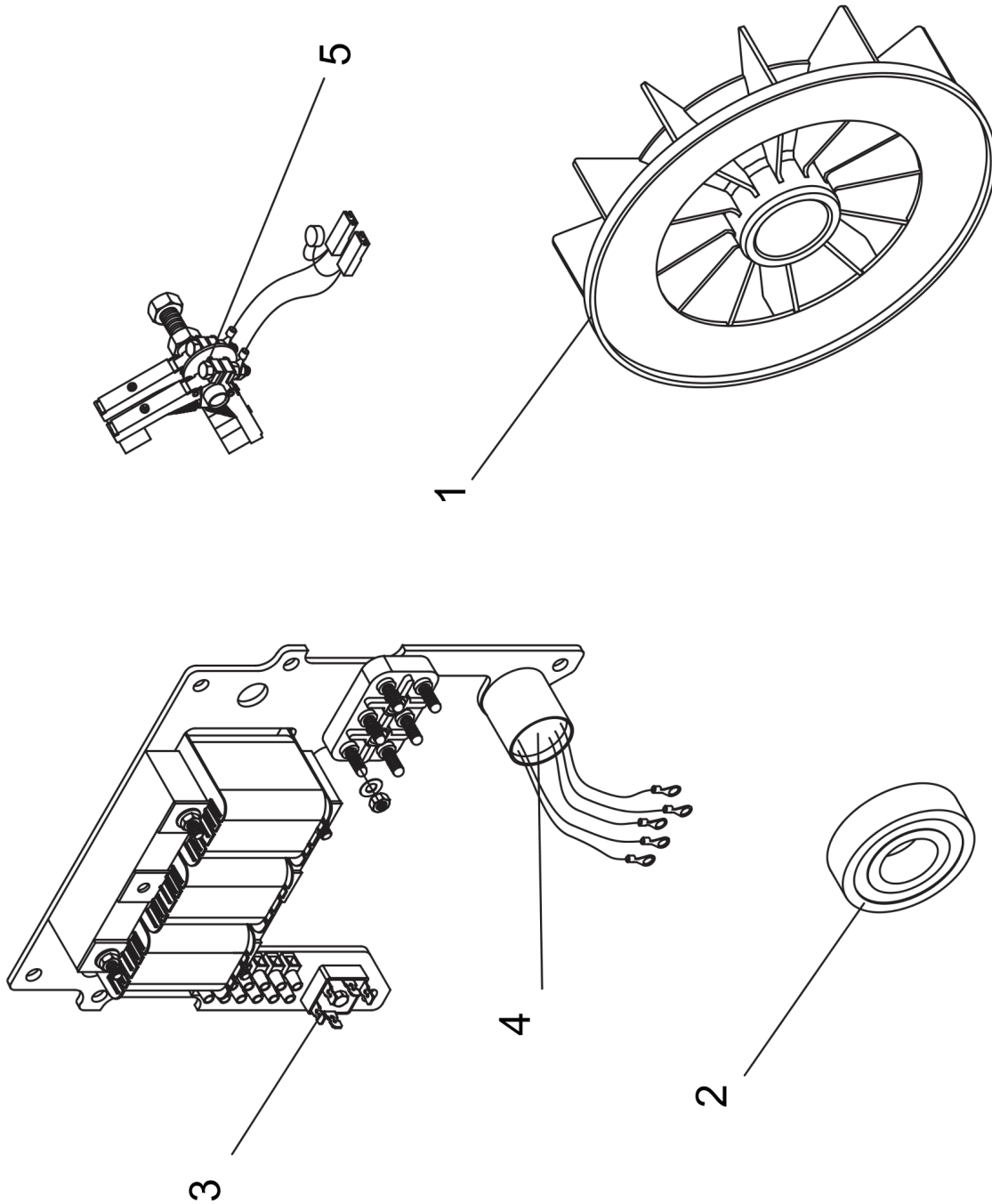


Refer to Parts Online for the most up to date information. The printed information might be outdated.

Wed Oct 21 02:01:44 MDT 2015

Item	Part No.	Name	Qty	L	SN INFO
1	D717100501	Generator	1		
2	D717801135	Washer, 10mm	6		
3	D717800484	Screw, M10	6		
4		Kit, lovejoy coupling	1		
5	D717801086	Flat washer, 0.5'	2		
6	D717800736	Screw, 1/2'	2		
7	D717100505	Mount, generator isolator	4		
8	0147141003	Hex. head screw	4		
9	0291111200	Lock nut m12	4		
10	0301235800	Plain washer 13 x 24 x 2.5	4		
11	4812200230	Elbow, 1'	1		
12	4812200229	Conduit hub	1		
13	4700904639	Washer, M6	1		
14	0147124403	Hex. head screw	1		

Generator drive assembly D717100501 Generator

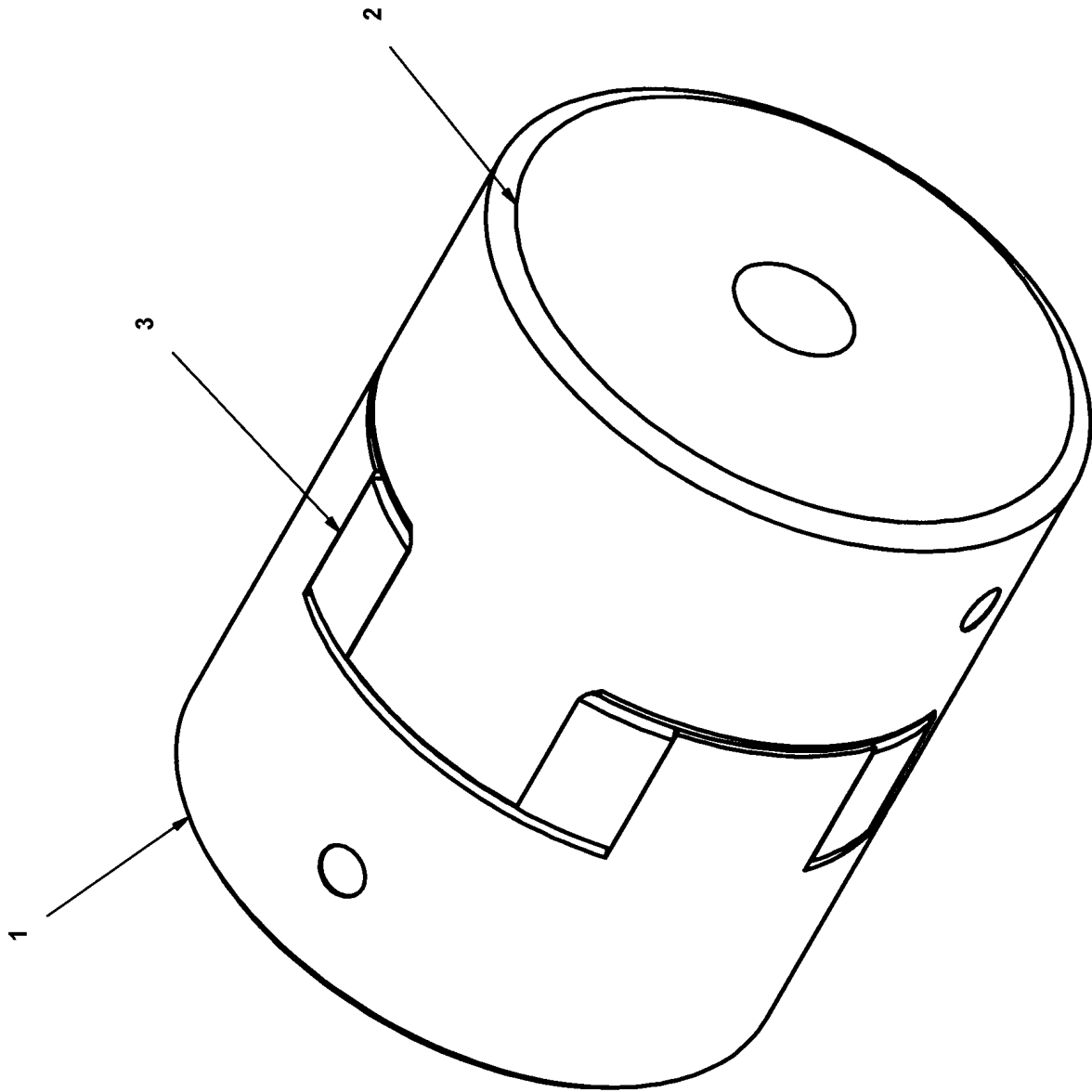


Refer to Parts Online for the most up to date information. The printed information might be outdated.

Wed Oct 21 02:01:44 MDT 2015

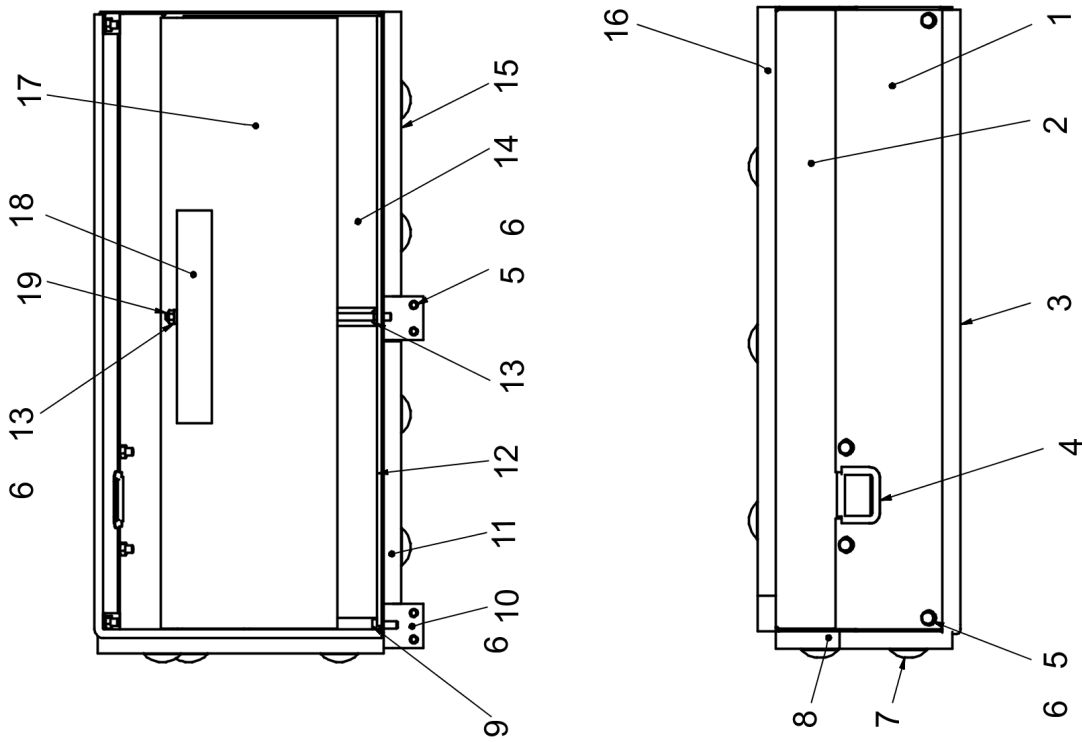
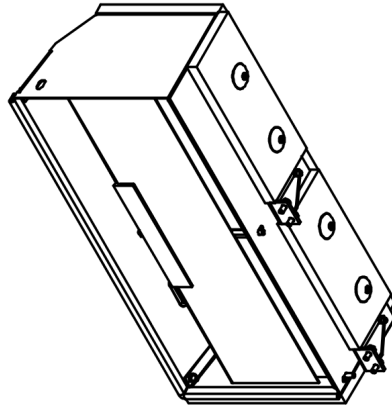
Item	Part No.	Name	Qty	L	SN INFO
1	4812313143	Fan	1		
2	4812313144	Bearing	1		
3	4812313145	Rectifying bridge	1		
4	4812313146	EMC filter for G series	1		
5	4812313147	Brush-holder assembly	1		
6	D717954768	Mount, motor, two bolt	1		

Generator drive assembly Kit, lovejoy coupling



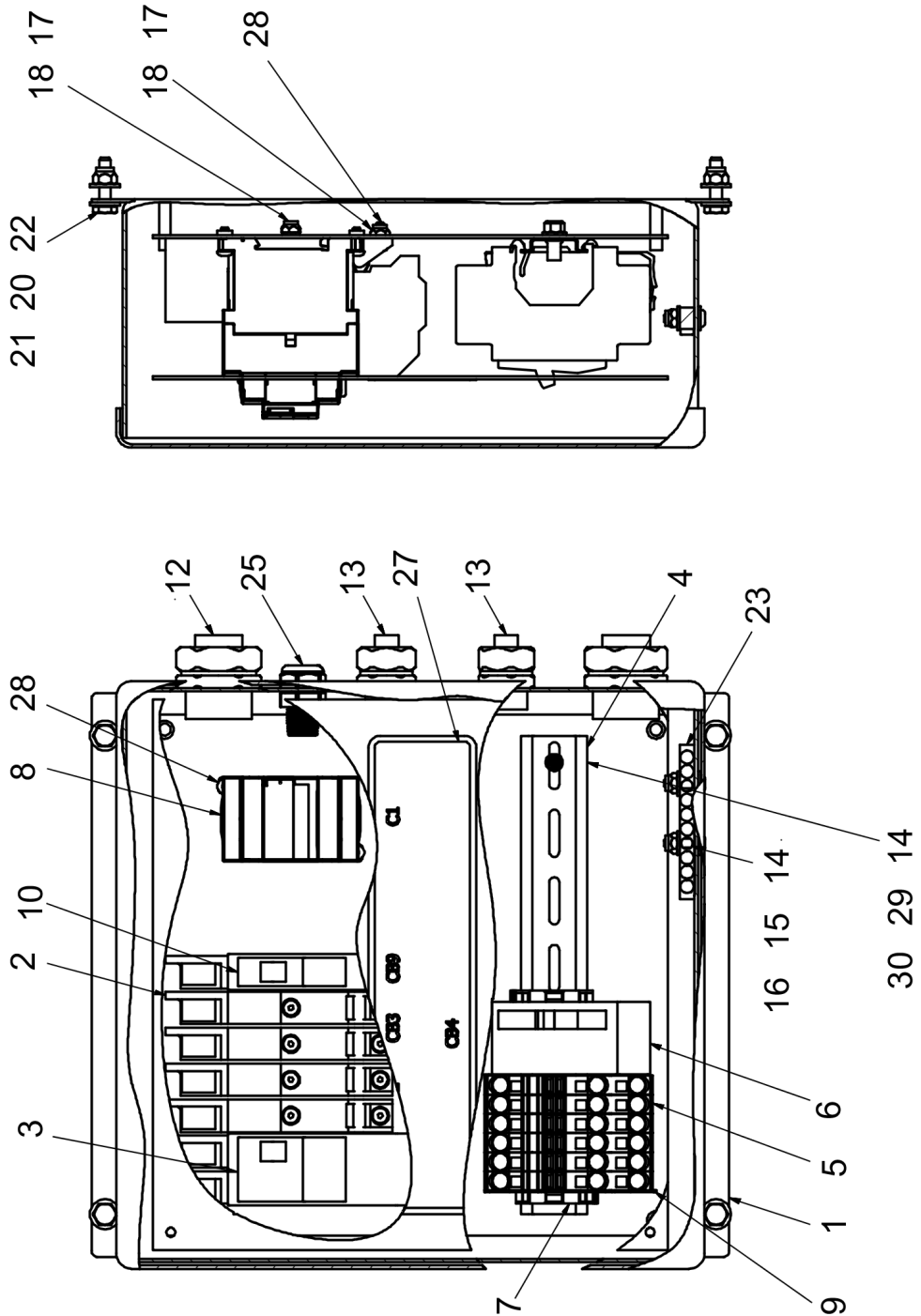
Item	Part No.	Name	Qty	L	SN INFO
1	D717100502	Coupling, 35mm	1		
2	4812200085	Coupling, splined	1		
3	4812200086	Coupling, spider	1		

Electrical system assembly 4812248146 Battery box assembly



Item	Part No.	Name	Qty	L	SN INFO
1	4812247559	Cover plate	1		
2	4812247558	Basic box, weldment	1		
3	D930235495	Profiled joint x m	1.018		
4	4812245401	Sealing strip	180		
5	0147132303	Screw DIN933	8		
6	D939776113	Washer	13		
7	4749301479	Clip	14		
8	4812248376	Heat insulation cotton	1		
9	0211132303	Hex sock screw	3		
10	4812247560	Brackrt	2		
11	4812247551	Heat insulation cotton T=20mm	1		
12	4812248693	Rubber mat, battery box	1		
13	0266211000	Hexagon nut M8	2		
14	4812223825	Battery	2		
15	4812248340	Heat insulation cotton T=20mm	1		
16	4812248339	Heat insulation cotton T=20mm	1		
17	4812245031	Rubber mat, battery box	1		
18	4812245488	Clamp	1		
19	4812248377	Bolt M8	1		

Electrical system assembly D717104500 Assembly, AC main panel

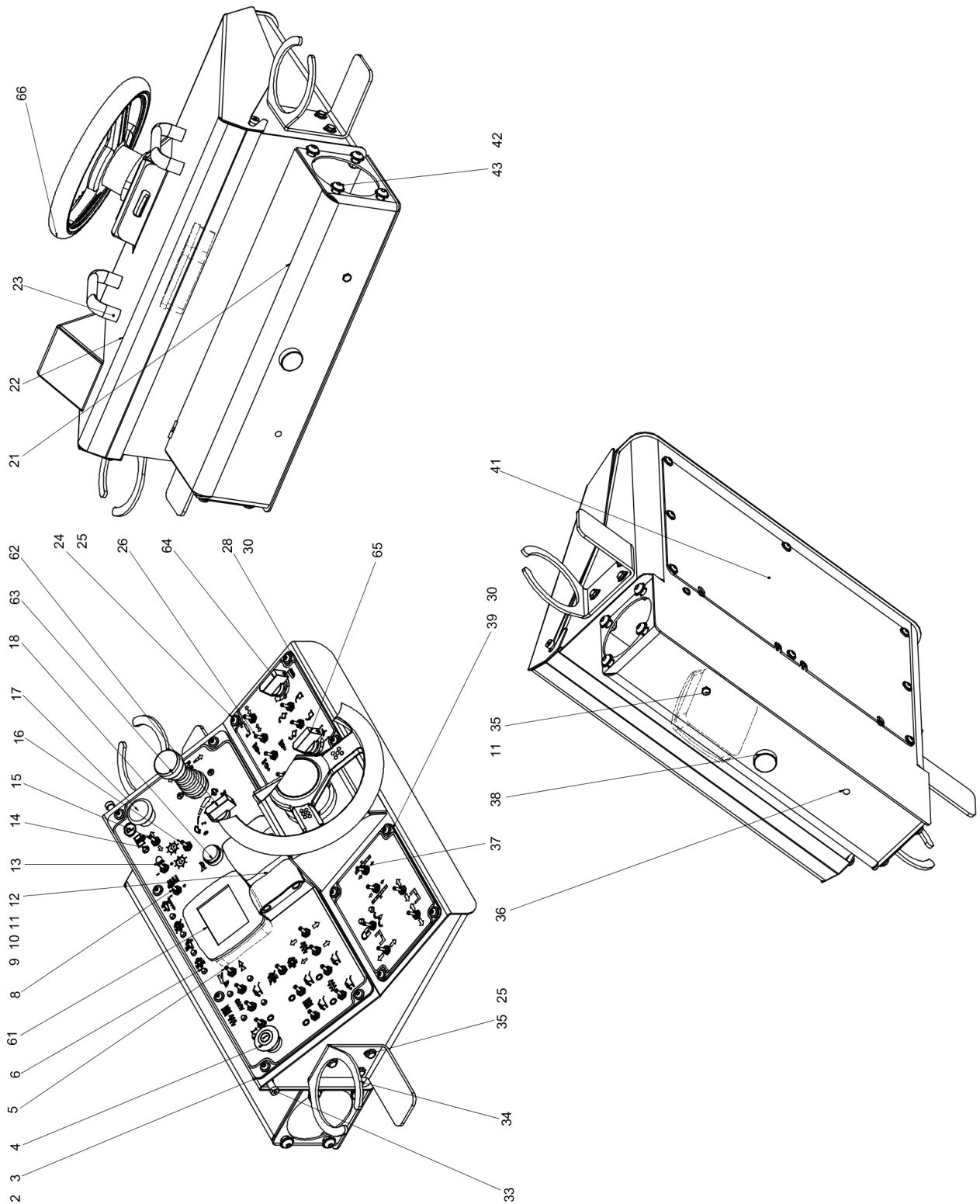


Refer to Parts Online for the most up to date information. The printed information might be outdated.

Wed Oct 21 02:01:46 MDT 2015

Item	Part No.	Name	Qty	L	SN INFO
1	D717104506	Box	1		
2	D717104505	Pad, mounting GFCI circuit breaker	7		
3	D717104503	Breaker main	3		
4	D717905006	Din rail	1		
5	D717104508	Terminal block, 3-wire	6		
6	D717104504	Circuit breaker	1		
7	D717104017	End stop, terminal block	2		
8	D717104507	Contactora, 18A	1		
9	D717104509	End cover, terminal block	1		
10	D717104511	Breaker main, 15A	1		
12	D717104515	Fitting straight, 1'	2		
13	D717104516	Fitting straight, 1/2'	2		
14	D717801142	Washer, 10	6		
15	D717800883	Lock nut, M10	2		
16	D717801009	Hex nut, M10	2		
17	D717801093	Washer, 0.164"	28		
18	D717800869	Lock nut, M8	14		
20	D717801058	Narrow flat washer, 0.25"	8		
21	D717800785	Nyloc nut, 1/4"	4		
22	D717800680	Screw, 1/4"	4		
23	D717104517	Bar, solid neutral	1		
25	D717104519	Cord grip	1		
26		Wiring diagram, AC main panel	1		
27	D717410029	Decal, AC main panel	1		
28	D717800953	Screw, M8	16		
29	4812222578	Hex screw	2		
30	4812222579	Hex lock nut	2		
33	D717104522	Harness, AC main panel to fume extractor	1		
34	D717104520	Harness, generator to AC panel	1		

Electrical system assembly 4812245728 F800 Control box left



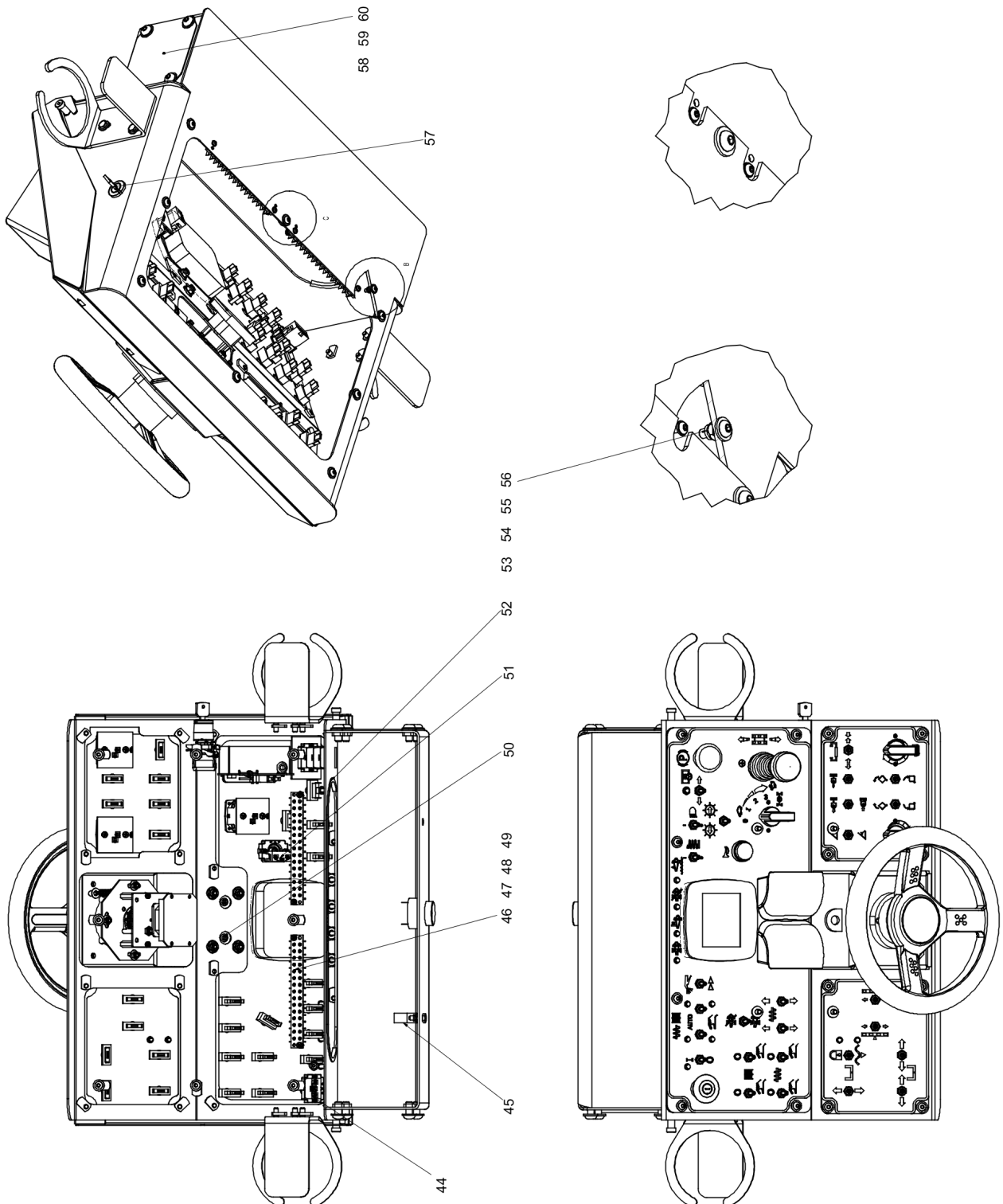
Refer to Parts Online for the most up to date information. The printed information might be outdated.

Wed Oct 21 02:01:47 MDT 2015

Item	Part No.	Name	Qty	L	SN INFO
2	4812246777	Rubber plate	1		
3	4812204606	Console plate LH, top F800T	1		
4	D717103001	Push button e-stop	1		
5	4812222171	Operator console toggle switch, 5E	2		
6	D717103013	LED, yellow	10		
8	D717103018	Toggle switch, 3	1		
9	D717801261	Screw, 1/4'	4		
10	D717801184	Washer, 1/4'	4		
11	D717800785	Nyloc nut, 1/4'	5		
12	4812222214	Operator console light dashboard	2		
13	D717103022	Toggle switch, 3	1		
14	D717103014	LED, green	2		
15	D717103003	Toggle switch, 7	19		
16	D717103021	Toggle switch, 1	1		
17	D717103010	Push button, parking brake	1		
18	D717103011	Push button, horn	1		
21	4812246786	Control box body, LH	1		
22	4812220702	Console cover	1		
23	4812220958	Operator console handle	2		
24	D717801289	Screw, 1/4'	26		
25	D717801058	Narrow flat washer, 0.25'	33		
26	4812246770	Switch	1		
28	4812204611	Console plate side both, F800T	1		
30	D717103032	Switch panel gasket, small	2		
33	D717103030	Shoulder bolt, 3/8'	2		
34	4812222186	Cup holder	2		
35	D717800687	Screw, 1/4'	7		
36	4812222172	Nylon hole plug	1		
37	4812222241	Operator console toggle switch, 7E	2		
38	D717103035	Alarm, electric	1		
39	4812204552	Console LH, lower left F800	1		
41	D717103009	Plate, access panel	1		
42	D717801268	Screw, 3/8'	8		
43	D717801044	Narrow washer, 0.38'	8		
44	D717103015	NC contact, block	1		
45	D717801520	Cushioned clamp, 1.5'	1		
46	D717103025	Barrier block	2		

Refer to Parts Online for the most up to date information. The printed information might be outdated.

Wed Oct 21 02:01:47 MDT 2015

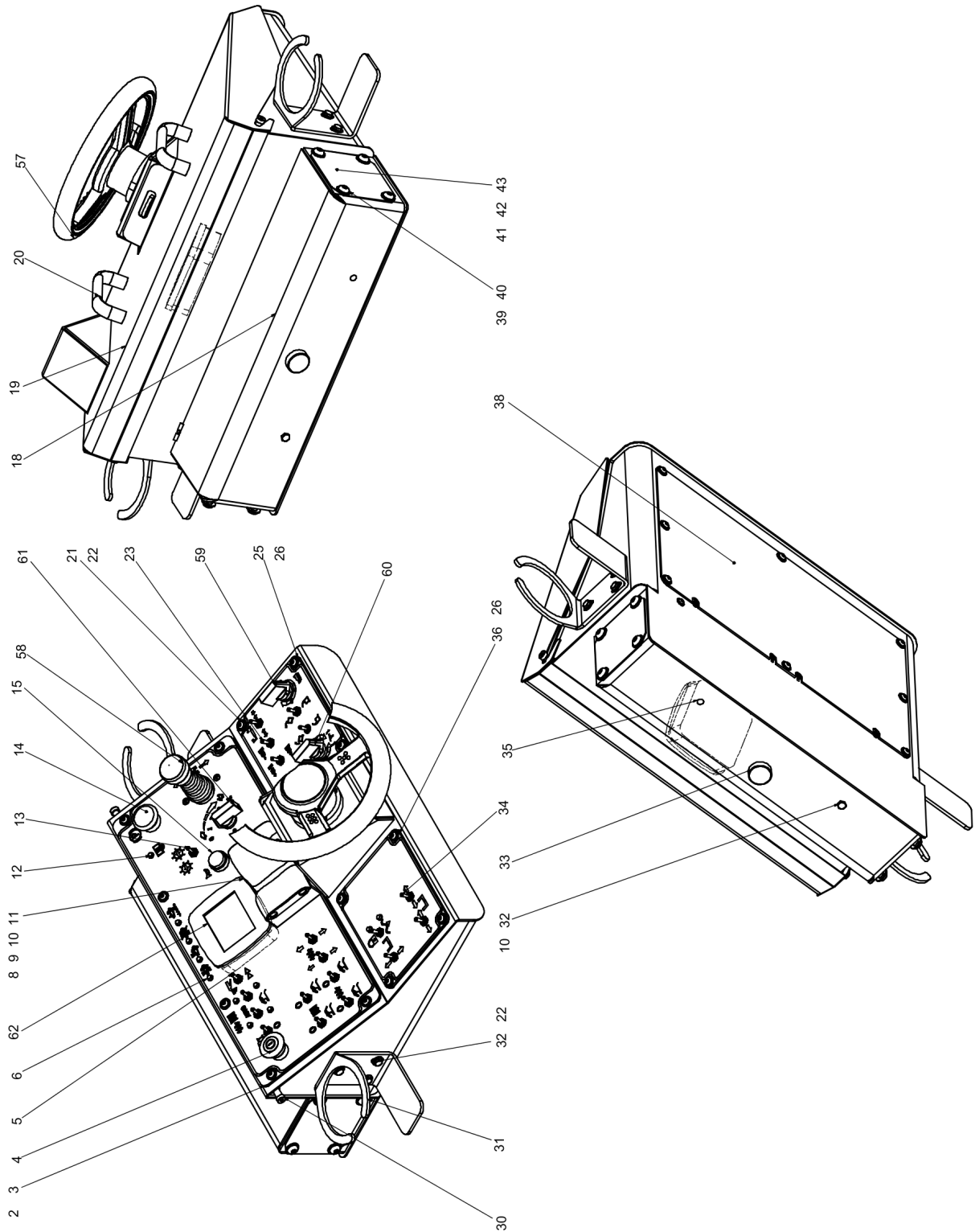


Refer to Parts Online for the most up to date information. The printed information might be outdated.

Wed Oct 21 02:01:47 MDT 2015

Item	Part No.	Name	Qty	L	SN INFO
47	D717800974	Screw, M6	4		
48	D717800876	Lock nut, M6	4		
49	D717801100	Washer, #6	8		
50	D717103026	Rubber grommet, 5/16'	2		
51	D717103016	NO contact	2		
52	D717103029	Edge protector	1		
53	4812222206	Lock washer, 10	1		
54	D717801002	Hex nut, M10	1		
55	D717801142	Washer, 10	1		
56	D717800883	Lock nut, M10	1		
57	D717103002	Switch, key ignition	1		
58	D717113024	Cover, swing arm	1		
59	4812245672	F800 LH console diagram	1		
60	D717103036	Toggle switch boot	24		
61	4812246702	Display, W/program - LH console	1		
62	D717101504	Switch, propel mode selection	1		
63	D717101501	Controller, propel handle	1		
64	D717101502	Controller, speed dial	1		
65	D717101503	Controller, steering calibration	1		
66	D717101505	Steering unit	1		

Electrical system assembly 4812245737 F800 control box right



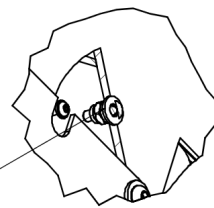
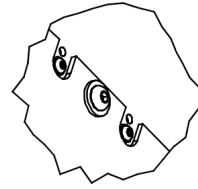
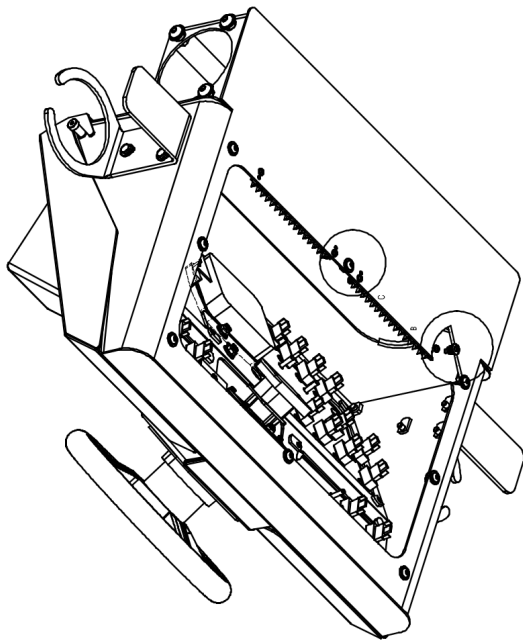
Refer to Parts Online for the most up to date information. The printed information might be outdated.

Wed Oct 21 02:01:48 MDT 2015

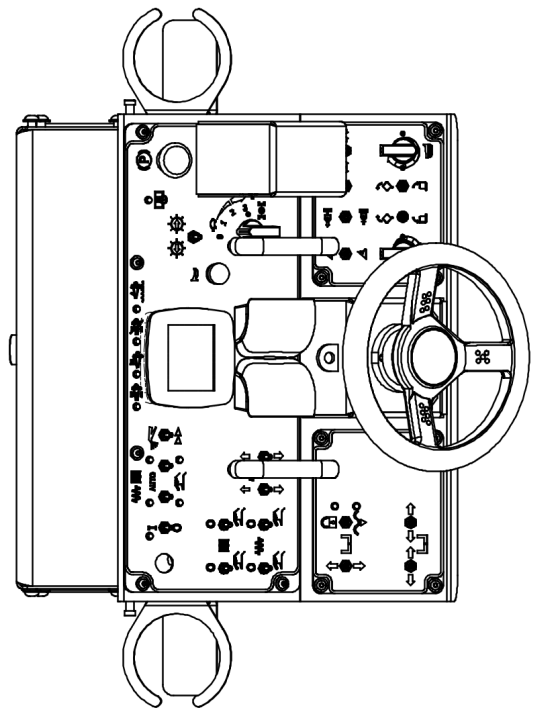
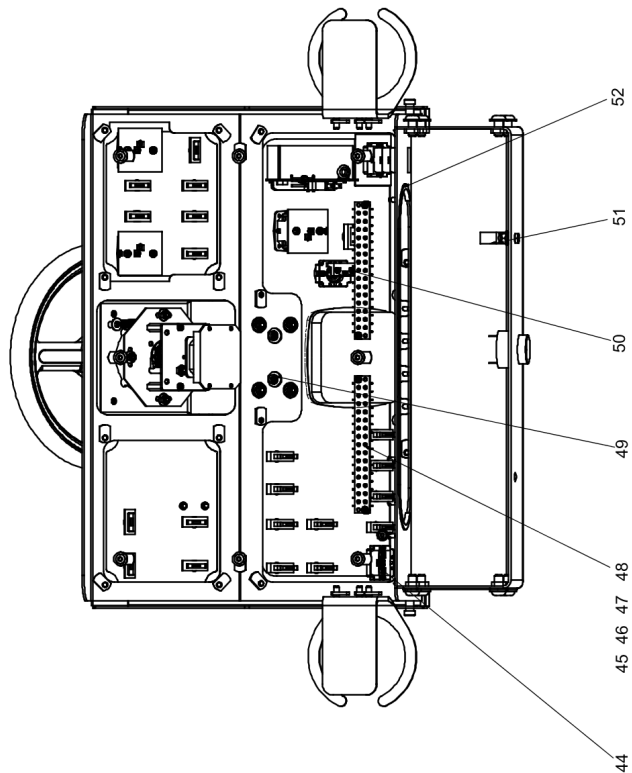
Item	Part No.	Name	Qty	L	SN INFO
2	4812246777	Rubber plate	1		
3	4812204550	Console RH, top, F800	1		
4	D717103001	Push button e-stop	1		
5	4812222171	Operator console toggle switch, 5E	1		
6	D717103013	LED, yellow	10		
8	D717801261	Screw, 1/4'	4		
9	D717801184	Washer, 1/4'	4		
10	D717800785	Nyloc nut, 1/4'	5		
11	4812222214	Operator console light dashboard	2		
12	D717103014	LED, green	2		
13	D717103021	Toggle switch, 1	1		
14	D717103010	Push button, parking brake	1		
15	D717103011	Push button, horn	1		
18	4812245574	Control box body	1		
19	4812220702	Console cover	1		
20	4812220958	Operator console handle	2		
21	D717801289	Screw, 1/4'	26		
22	D717801058	Narrow flat washer, 0.25'	33		
23	4812246770	Switch	1		
25	4812204611	Console plate side both, F800T	1		
26	D717103032	Switch panel gasket, small	3		
30	D717103030	Shoulder bolt, 3/8'	2		
31	4812222186	Cup holder	2		
32	D717800687	Screw, 1/4'	7		
33	D717103035	Alarm, electric	1		
34	D717103003	Toggle switch, 7	18		
35	4812222172	Nylon hole plug	1		
36	4812204537	Console RH, lower left, F800	1		
38	D717103009	Plate, access panel	1		
39	D717801044	Narrow washer, 0.38'	8		
40	D717801268	Screw, 3/8'	8		
41	D717103036	Toggle switch boot	22		
42	4812245674	F800 RH console diagram	1		
43	D717113024	Cover, swing arm	1		
44	D717103015	NC contact, block	1		
45	D717801100	Washer, #6	8		
46	D717800876	Lock nut, M6	4		

Refer to Parts Online for the most up to date information. The printed information might be outdated.

Wed Oct 21 02:01:48 MDT 2015

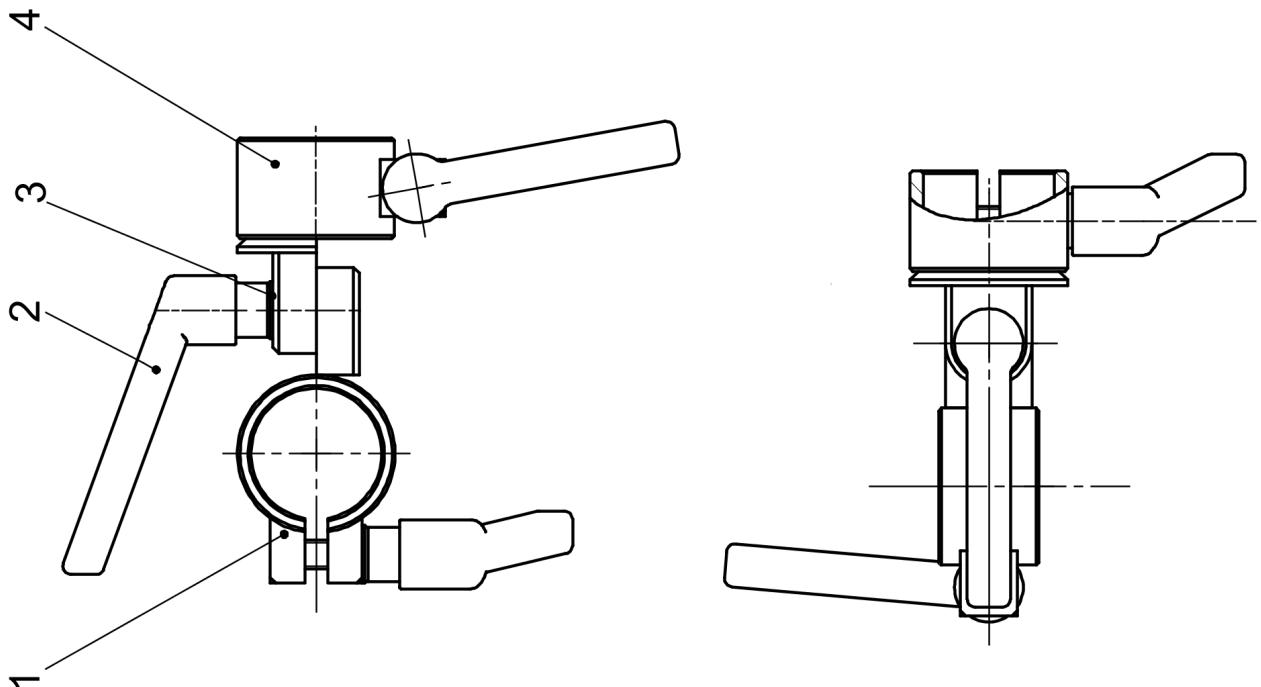
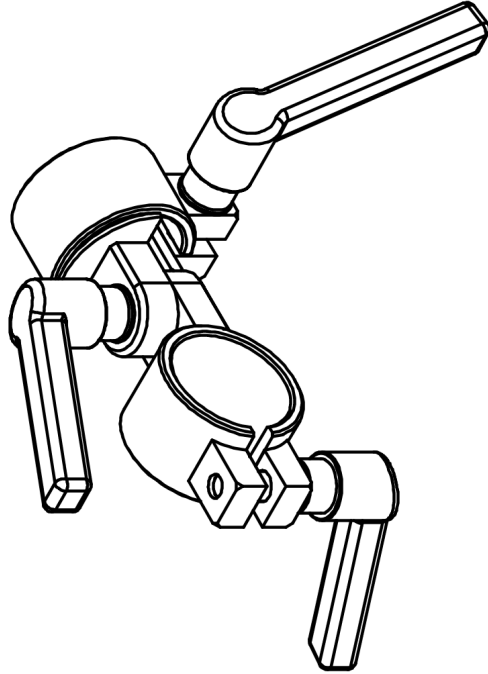


53 54 55 56



Item	Part No.	Name	Qty	L	SN INFO
47	D717800974	Screw, M6	4		
48	D717103025	Barrier block	2		
49	D717103026	Rubber grommet, 5/16'	2		
50	D717103016	NO contact	2		
51	D717801520	Cushioned clamp, 1.5'	1		
52	D717103029	Edge protector	1		
53	D717800883	Lock nut, M10	1		
54	4812222206	Lock washer, 10	1		
55	D717801002	Hex nut, M10	1		
56	D717801142	Washer, 10	1		
57	D717101505	Steering unit	1		
58	D717101501	Controller, propel handle	1		
59	D717101502	Controller, speed dial	1		
60	D717101503	Controller, steering calibration	1		
61	D717101504	Switch, propel mode selection	1		
62	4812246702	Display, W/program - LH console	1		

Electrical system assembly 4812245944 Bracket sonic sensor



Refer to Parts Online for the most up to date information. The printed information might be outdated.

Wed Oct 21 02:01:49 MDT 2015

Item	Part No.	Name	Qty	L	SN INFO
1	4812245945	Bracket	1		
2	4812245956	Handle	3		
3	0301234400	Plain washer M10.5/22	3		
4	4812245946	Bracket	1		

Electrical system assembly F800 DC cables

NO EXPLODED VIEW
AVAILABLE
FOR THIS BOM

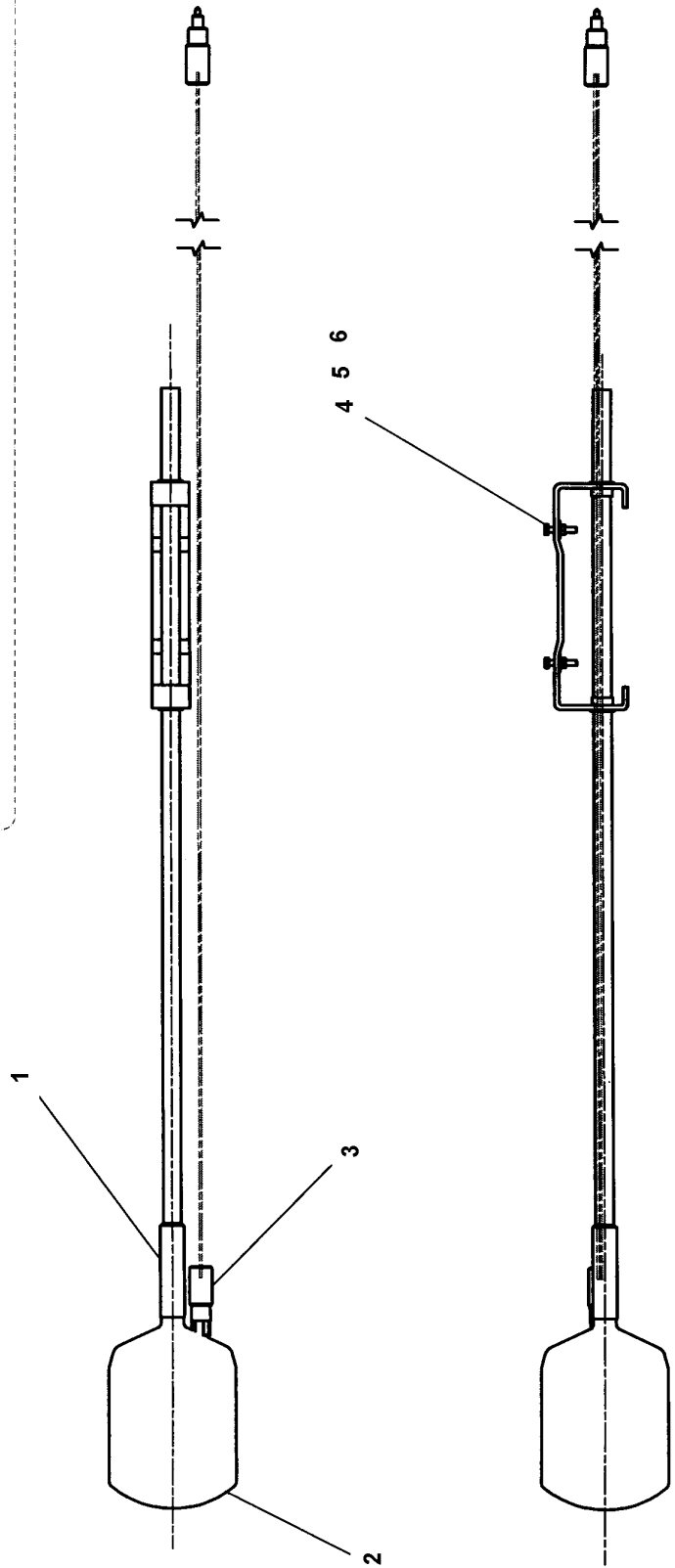
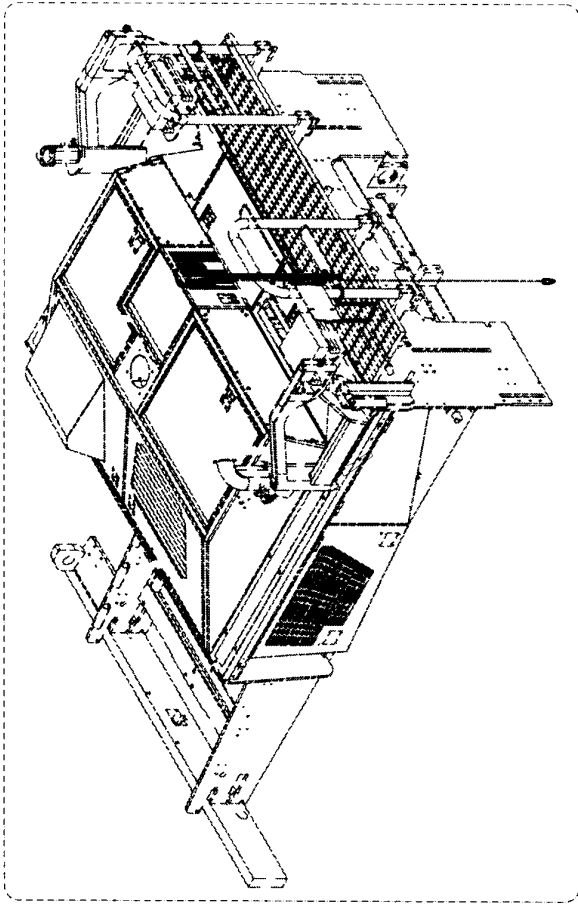
Item	Part No.	Name	Qty	L	SN INFO
1	4812245682	Harness screed to DC box	1		
2	4812245683	Harness front valve block	1		
3	4812245684	Harness CAN connection	1		
4	4812245685	F3 fuse to XB	1		
5	4812245687	Cable neg to XA	1		
6	4812245689	Battery cable switch to POS	1		
7	4812245690	Harness starter	1		
8	4812245691	Battery cable POS to NEG	1		
9	4812245692	Battery cable starter NEG to CH	1		
10	4812245693	Cable F1 to battery switch	1		
11	4812245694	Cable F2 to battery switch	1		
12	4812245695	Cable F4 to battery switch	1		
13	4812245701	Cable F3 to starter relay	1		
14	4812245702	Cable F1 to starter relay	1		
15	4812245704	Harness rear valve block to DC	1		
16	4812245712	Harness ECM T4f	1		
17	4812246570	Harness option function F800	1		
18	4812220979	Coil cable, conveyor	2		
19	4812221070	Coil cable, auger sensor	2		
20	D717101055	Cable, generator to mainframe	1		
21	4812248785	Cable F2 to alternator	1		
22	D717101039	Cable, altern. NEG term to engine ground stud	1		
23	4812246677	Harness AC box to screed F800	1		
24	4812204447	Cable F1 to F7	1		

Electrical system assembly 4812204449 F800 Electrical component kit

NO EXPLODED VIEW
AVAILABLE
FOR THIS BOM

Item	Part No.	Name	Qty	L	SN INFO
1	D717101015	Diode	3		
2	4812204544	Plug	1		

Electric system Beacon assembly

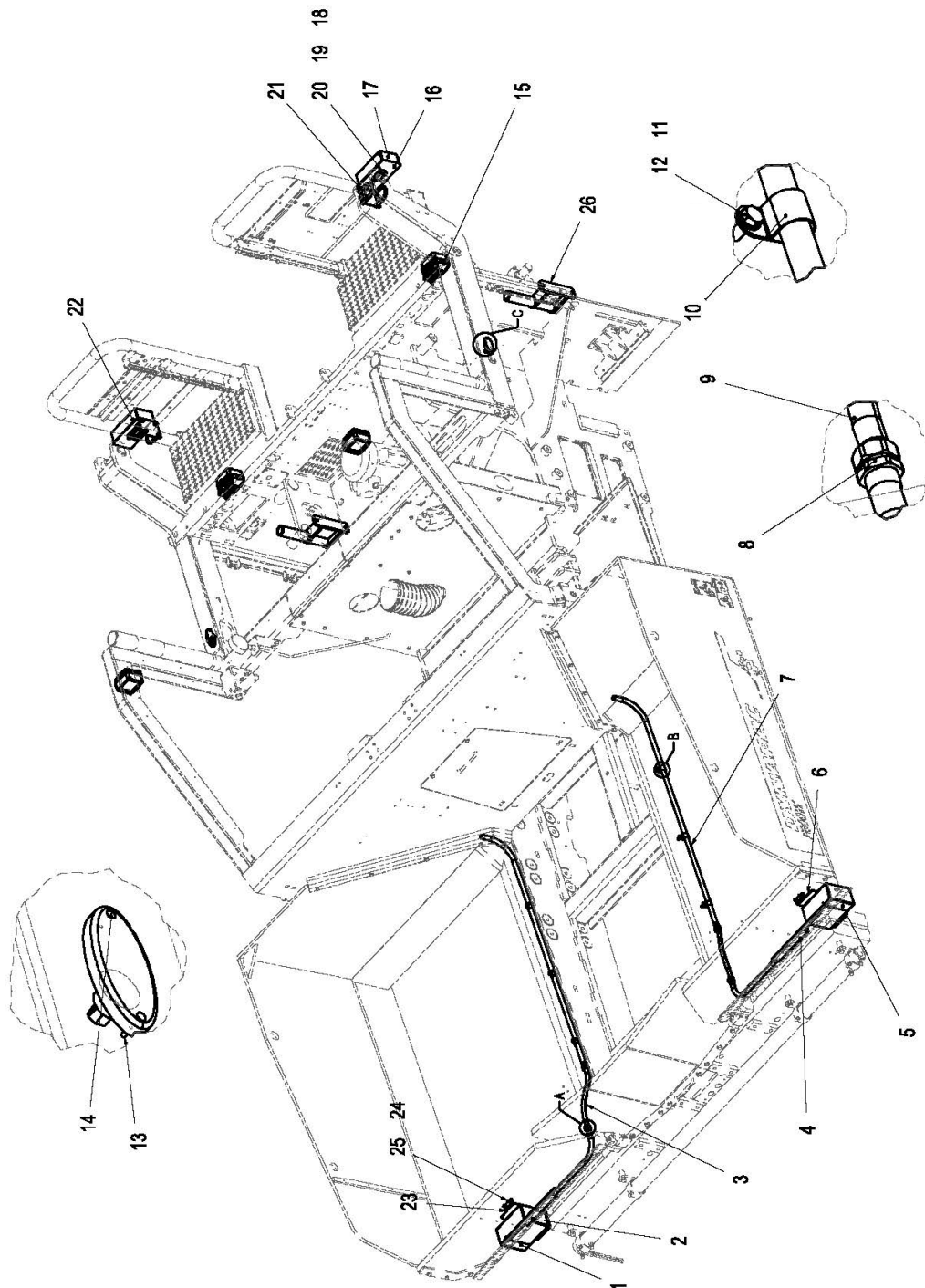


Refer to Parts Online for the most up to date information. The printed information might be outdated.

Wed Oct 21 02:01:51 MDT 2015

Item	Part No.	Name	Qty	L	SN INFO
1	D717906503	Pole mount, warning beacon	1		
2	D717906501	Rotating beacon	1		
3	D717906505	Harness	1		
4	5730015168	Hexagon head screw	2		
5	D939570011	Washer	2		
6	5730015118	Hexagon nut	2		

Electric system Roading lights assembly

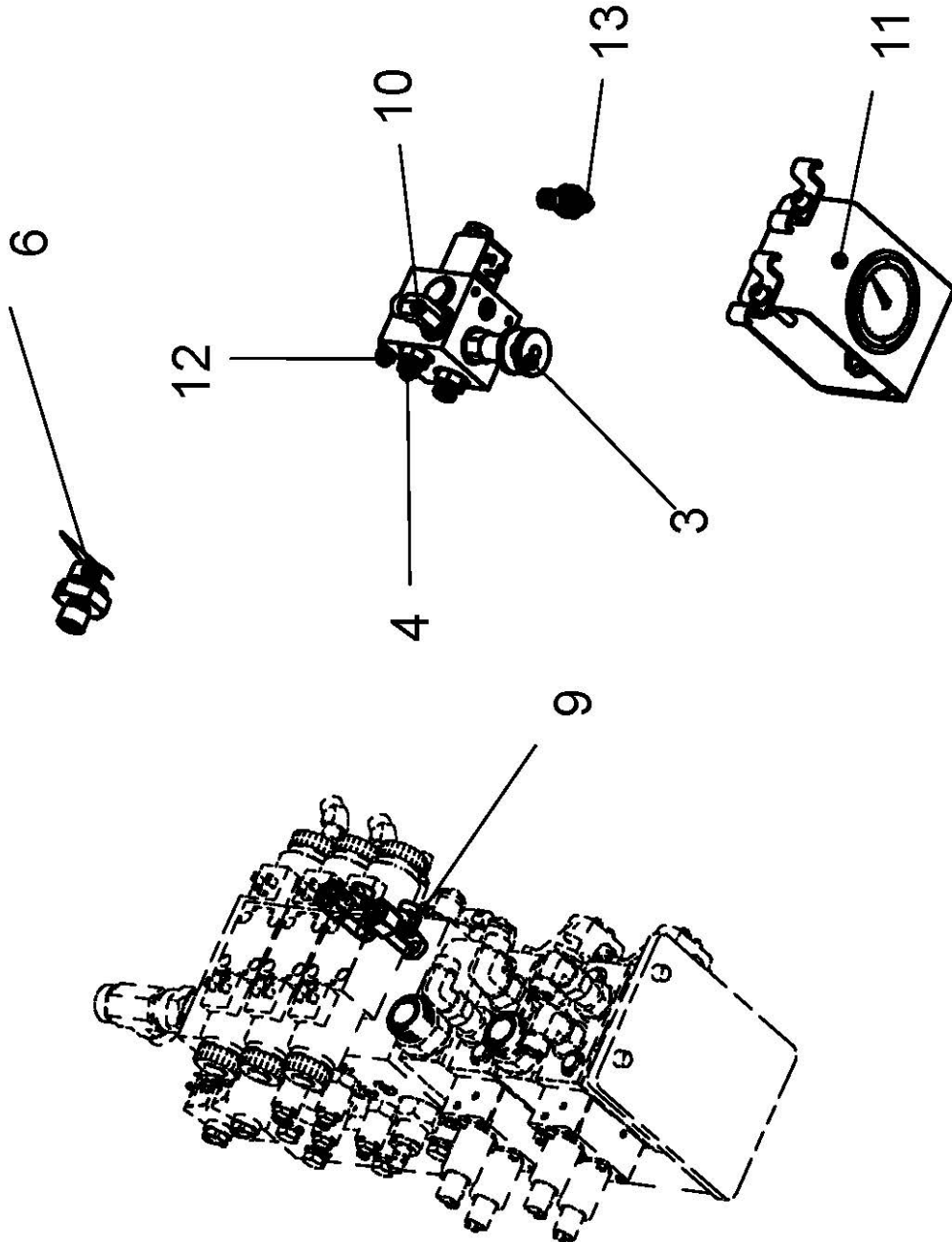


Refer to Parts Online for the most up to date information. The printed information might be outdated.

Wed Oct 21 02:01:51 MDT 2015

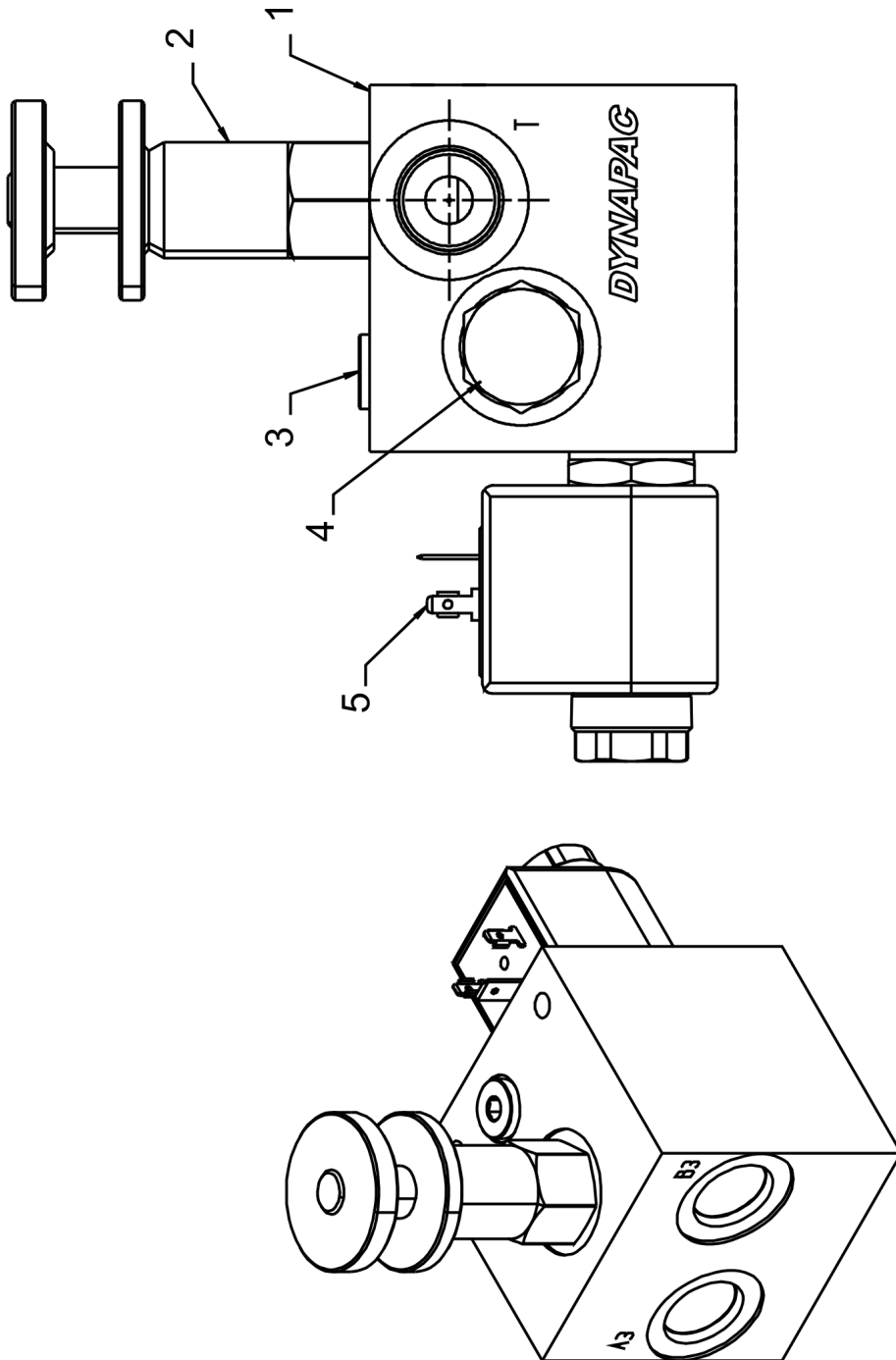
Item	Part No.	Name	Qty	L	SN INFO
1	D717906005	Head light, right side	1		
2	4812245580	Bracket, roading lights, right	1		
3	4812245616	Cable conduit	2		
4	4812245575	Bracket, roading lights, left	1		
5	D717906004	Head light, left side	1		
6	4812246591	Bracket, roading light LH	1		
7	4812245588	Conduit	2		
8	4812200315	Conduit, 1/2'	4		
9	D717104516	Fitting straight, 1/2'	4		
10	4700921161	Pipe clamp	6		
11	4812037382	Washer	6		
12	147132303	Screw DIN933	6		
13	5541081000	Recessed raised cheese head sc	4		
14	D717906003	Light, side amber	2		
15	4812248454	Light 24V work system	4		
16	4812244371	Bracket, tail lights	2		
17	D717906001	Light, tail left side	1		
18	D717801058	Narrow flat washer, 0.25'	4		
19	D717800680	Screw, 1/4'	4		
20	D717906015	Plate	2		
21	4812244370	U-Bolt, clamping	4		
22	D717906002	Light, tail right side	1		
23	4812246590	Bracket, roading light RH	1		
24	D939776113	Washer	4		
25	4812223505	Bolt	4		
26	4812248185	Levelling sensor mount	2		

Add or reduce pressure hydraulic kit Add or reduce pressure hydraulic kit



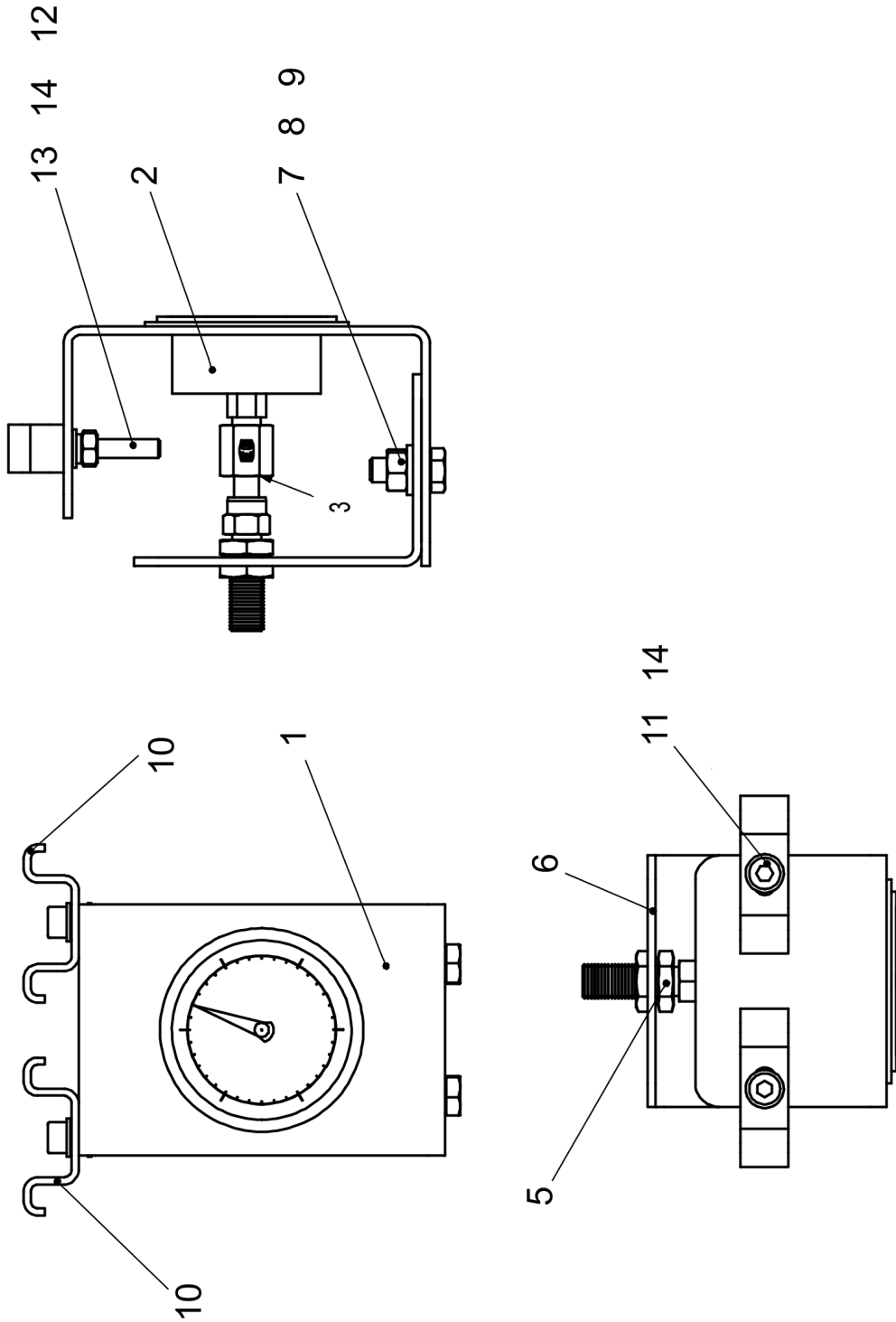
Item	Part No.	Name	Qty	L	SN INFO
3	4812247009	Add or reduce pressure option	1		
4	4700791828	Adapter	2		
6	4812247133	Adapter	1		
9	4700791414	T-connection, O-ring with swivel	2		
10	4700791840	Adapter	1		
11	4812248266	Gauge support assembly	1		
12	4700792334	Elbow 90 orfs	1		
13	4700792170	Adapter	1		
14	4812246137	Hose	2		
15	4812246146	Hose	1		
16	4812248401	Hose	1		
17	4812248402	Hose	1		

Add or reduce pressure hydraulic kit 4812247009 Add or reduce pressure hyd kit



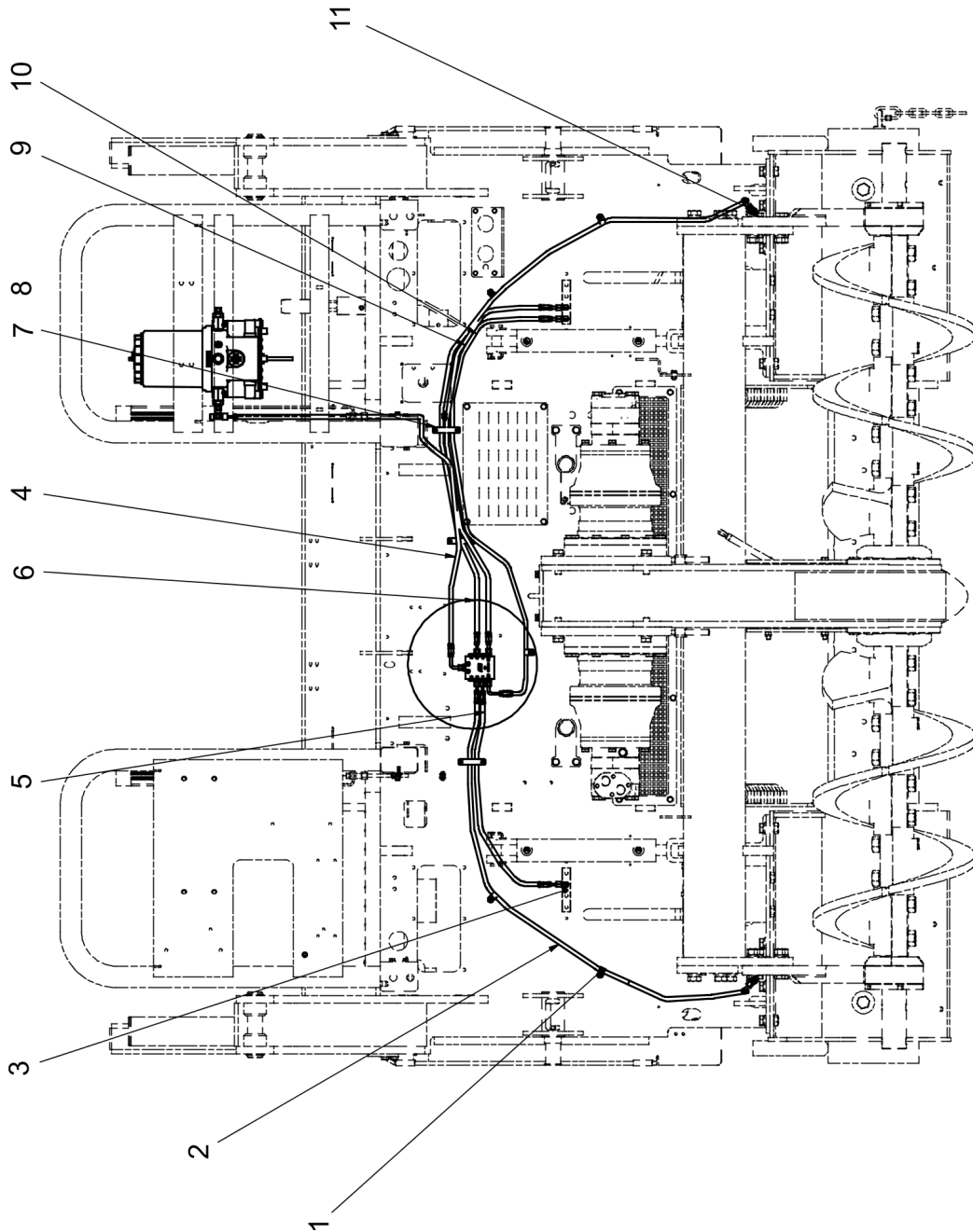
Item	Part No.	Name	Qty	L	SN INFO
1	-	Body	1		
2	4812274573	Valve	1		
3	D717952864	Tapered plug, 4 SAE	1		
4	4812274561	Valve	1		
5	4812270220	Valve, SVP08	1		

Add or reduce pressure hydraulic kit 4812248266 Gauge support assembly



Item	Part No.	Name	Qty	L	SN INFO
1	4812248322	Plate	1		
2	D956201111	Pressure gauge	1		
3	4812248325	Adapter	1		
4	4812248326	Adapter	1		
5	4700792170	Adapter	1		
6	4812248323	Plate	1		
7	0147136203	Hex head screw M10 x 25	2		
8	0266211100	Hexagon nut	2		
9	D939776115	Washer	2		
10	4812244442	Staircase clip	2		
11	0211132903	Hex sock. screw	2		
12	4812240307	Washer	2		
13	0266211000	Hexagon nut M8	2		
14	0301233500	Washer DIN125	4		

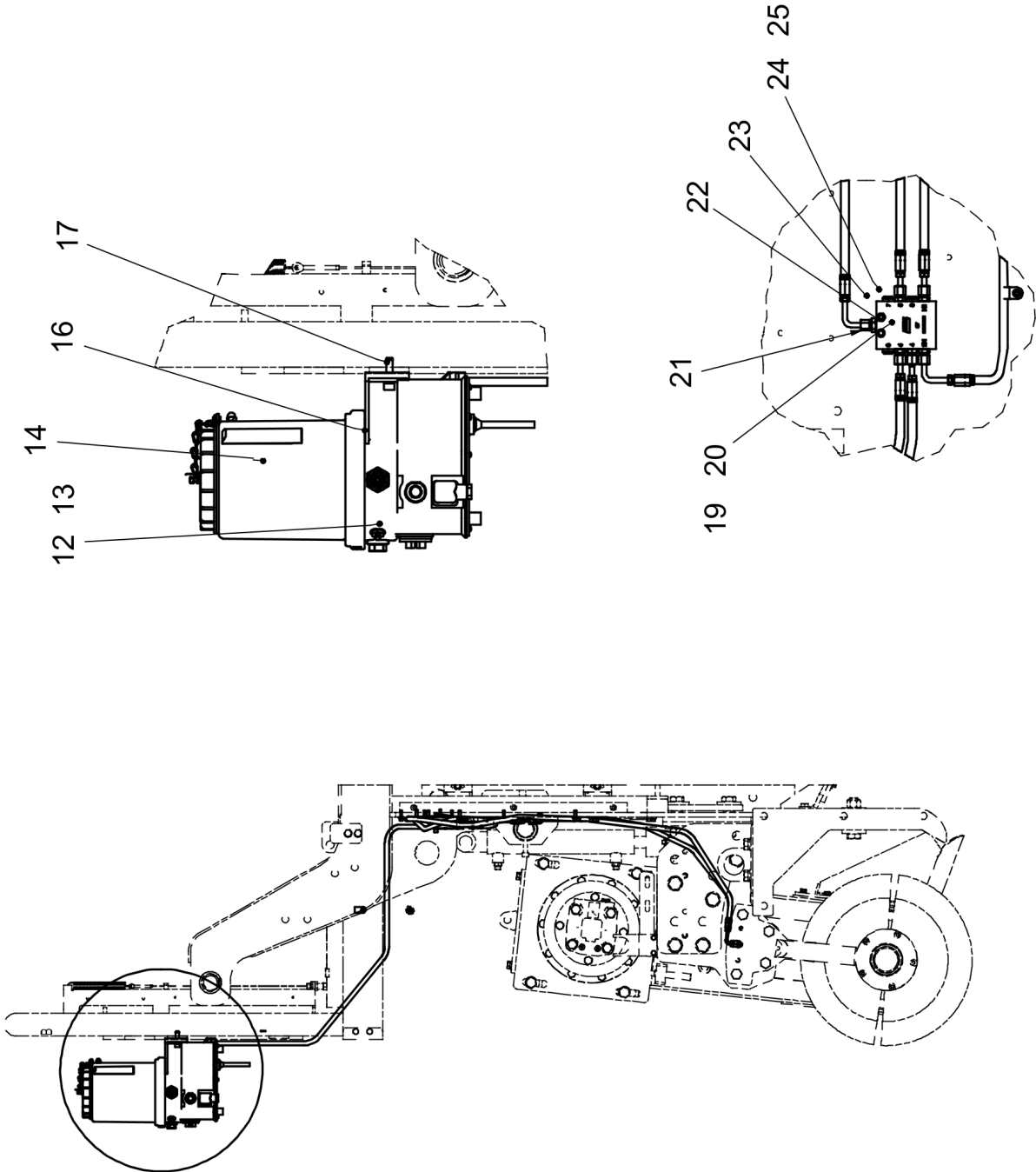
Options Centralization lubrication



Refer to Parts Online for the most up to date information. The printed information might be outdated.

Wed Oct 21 02:01:55 MDT 2015

Item	Part No.	Name	Qty	L	SN INFO
1	D935555047	Pipe clip	6		
2	4812245569	Grease hose	1		
3	4812243581	Joint	3		
4	4812245564	Grease hose	1		
5	4812245566	Grease hose	1		
6	4812245568	Grease hose	1		
7	4812241714	Fixed block	3		
8	0211120803	Hexagon socket head cap screw	12		
9	4812245565	Grease hose	1		
10	4812245567	Grease hose	1		
11	4812240469	Pipe joint	2		
12	4812240307	Washer	2		
13	0211132603	Hexagon socket head cap screw	2		
14	4812245570	Lubrication system	1		
16	4812243579	Joint	1		
17	4812243839	Fitting	1		
19	4812241086	Washer	12		
20	0211125203	Hexagon socket head cap screw	2		
21	4812241713	Fitting	1		
22	D935555011	Grease spreader	1		
23	D935555205	Plug screw	3		
24	D935555017	Screwing	5		
25	4812246398	Protecting bush x MM	100 0		



Refer to Parts Online for the most up to date information. The printed information might be outdated.

Wed Oct 21 02:01:55 MDT 2015

This page intentionally left blank

Leveling Kit, P-32 Dynapac paver

NO EXPLODED VIEW
AVAILABLE
FOR THIS BOM

Item	Part No.	Name	Qty	L	SN INFO
1	4812247790	Case, GC-35 paver control box	1		
2		Card, GC-35 open source licens	1		
3	4812247793	Manual, GC-35 quick reference	2		
4	4812247794	Kit, ty-wrap & decal	1		
5	4812247795	Assembly, GC-35 controller	2		
6	4812247796	Label, GC-35 left and right	2		
7	4812247797	Assembly, GC-35 pivot bracket	2		
8	D717102502	Sonic tracker II	2		
9	D717102510	Bracket, sonic tracker	2		
10	D717102511	Kit, sonic tracker	2		
11	4812247798	Assembly, 15 FT GC-35 TKR COIL C	2		
12	D717102509	Temp baik w/sleeves	1		
13	4812247799	Kit, transdacer replacment	1		
14	4812247800	Assembly, slope sensor dual 10 pin	1		
15	4812247801	Assembly, 12FT GC-35 slope CC	1		
16	4812247802	Assembly, 17FT GC-35 slope CC	1		
17	D717102516	Bracket, short, tom arm mount	2		
18	D717102517	Bracket, l-arm long fin	2		

Leveling D717901501 Kit, Non-connecting SAS

NO EXPLODED VIEW
AVAILABLE
FOR THIS BOM

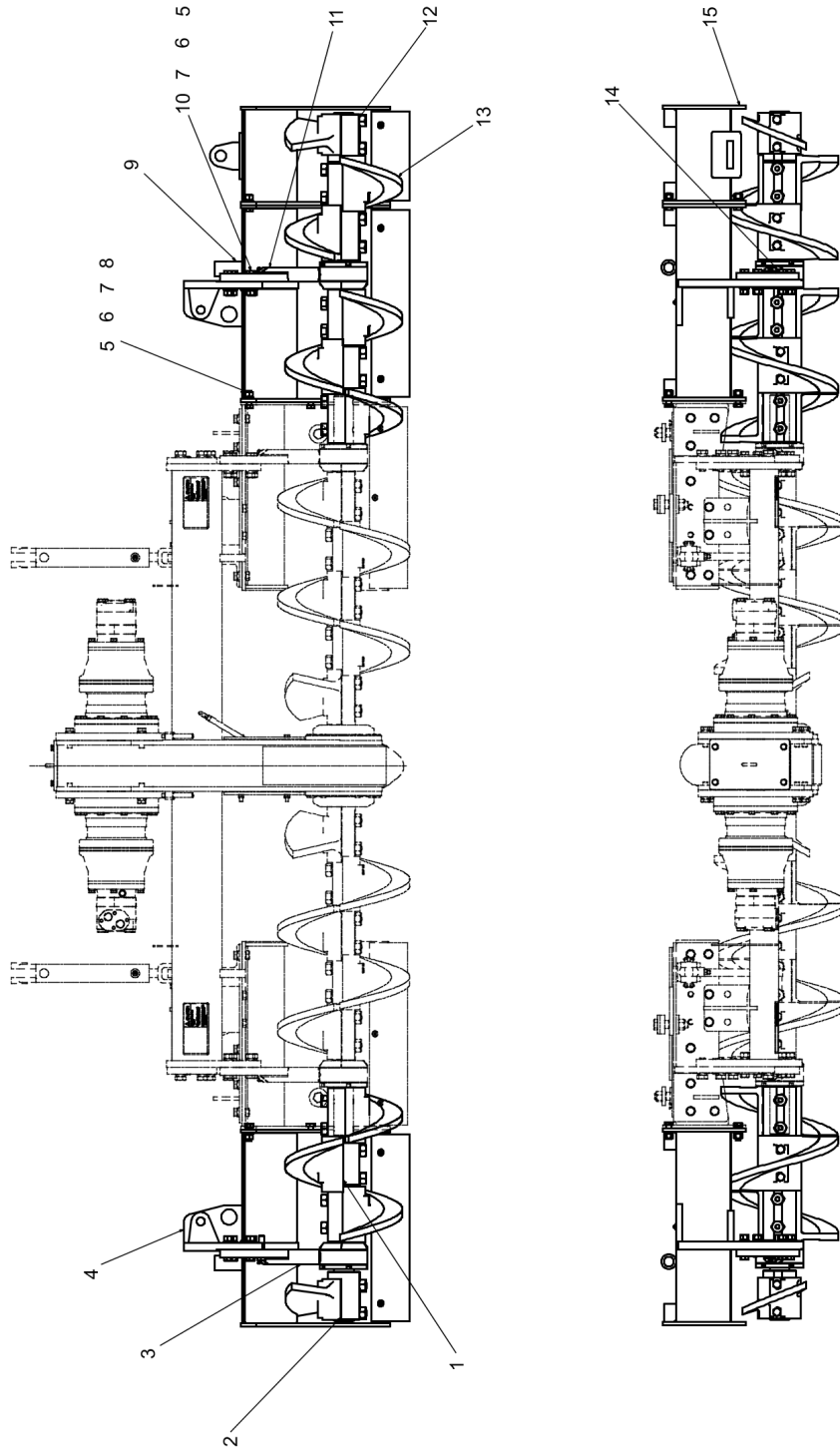
Item	Part No.	Name	Qty	L	SN INFO
1	D717901502	Supporting documents	1		
2	D717901503	Case	1		
3	D717901504	Temp bail with sleeves	3		
4	D717901505	Sonic averaging	1		
5	D717901506	Tow arm mounting bracket	1		
6	D717102502	Sonic tracker II	3		

Options D717904500 Umbrella

NO EXPLODED VIEW
AVAILABLE
FOR THIS BOM

Item	Part No.	Name	Qty	L	SN INFO
1	4812200196	Umbrella	1		

Auger for 15 paving width Auger for 15 paving width

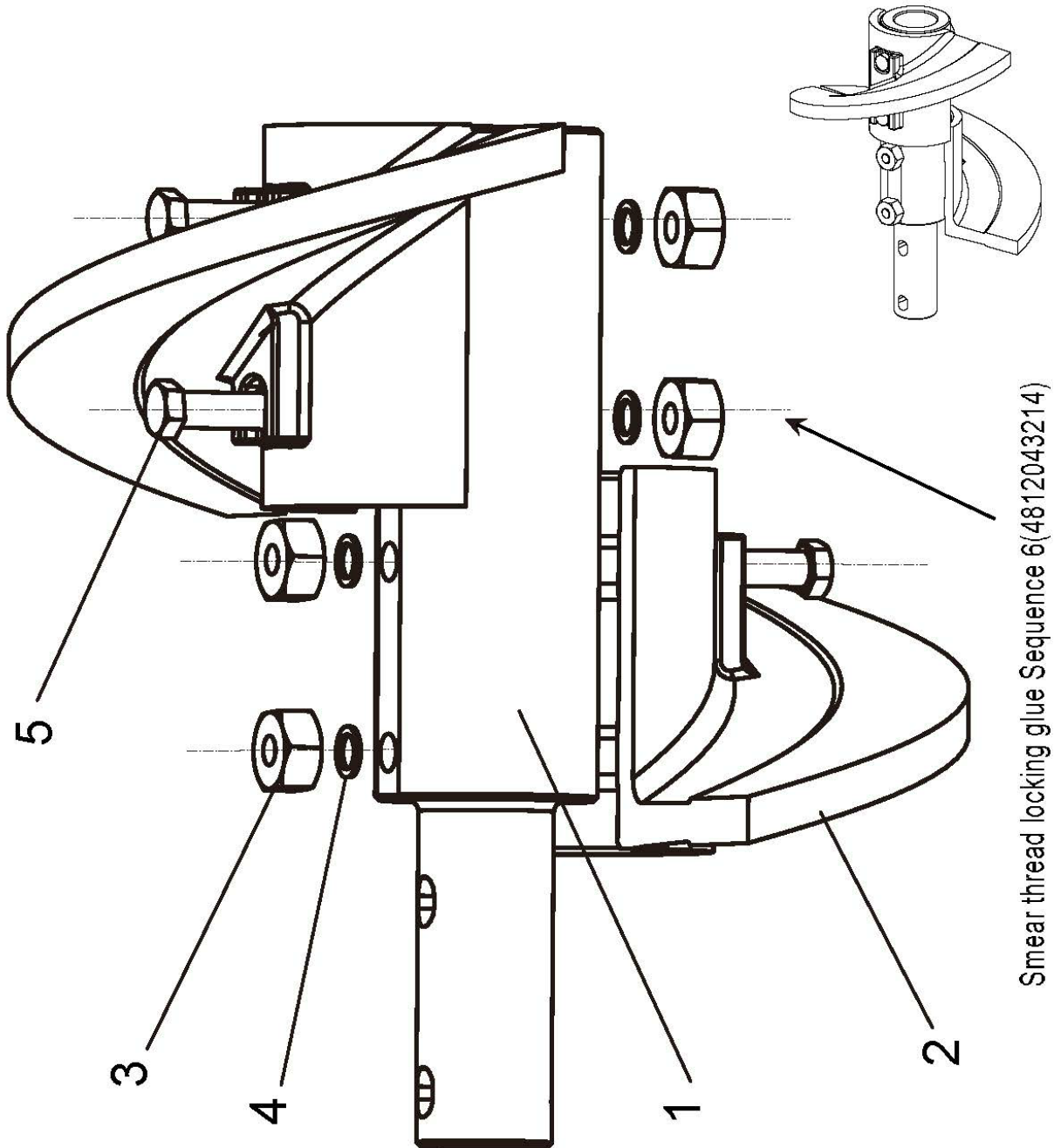


Refer to Parts Online for the most up to date information. The printed information might be outdated.

Wed Oct 21 02:01:57 MDT 2015

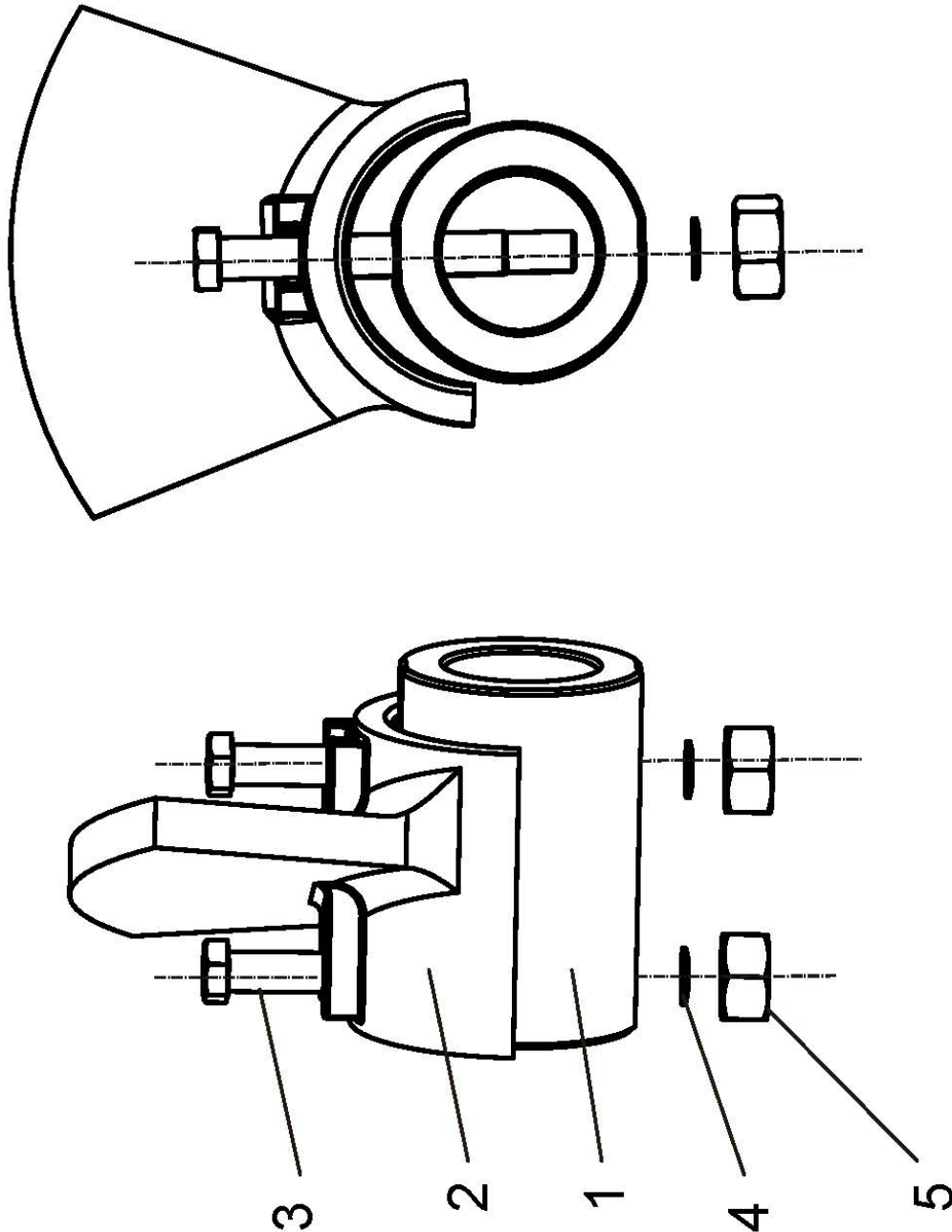
Item	Part No.	Name	Qty	L	SN INFO
1		Extend auger	1		
2		Extend auger 380-1 left	1		
3		Left bearing retainer assembly	1		
4	4812248911	Chute plate	1		
5	5730007616	Hexagon nut	20		
6	4812240074	Washer	20		
7	0301237800	Plain washer	20		
8	0147147803	Hex head screw M16 x 45	12		
9	4812248909	Chute plate	1		
10	5540204700	Hexagon head screw	8		
11		Right bearing retainer assembly	1		
12		Extend auger 380-1 right	1		
13		Extend auger	2		
14	4812240304	Pin	4		
15	4812248906	Chute plate	1		

Auger for 15 paving width Extend auger 380-2 left



Item	Part No.	Name	Qty	L	SN INFO
1	4812247068	Shaft	1		
2	4812246070	Left special half auger, 380mm	2		
3	4749901556	Nut	4		
4	0333310042	Schnorr-lock washer	4		
5	4812247066	Bolt	4		
6		Glue x l	0.00 4		

Auger for 15 paving width Extend auger 380-1 left

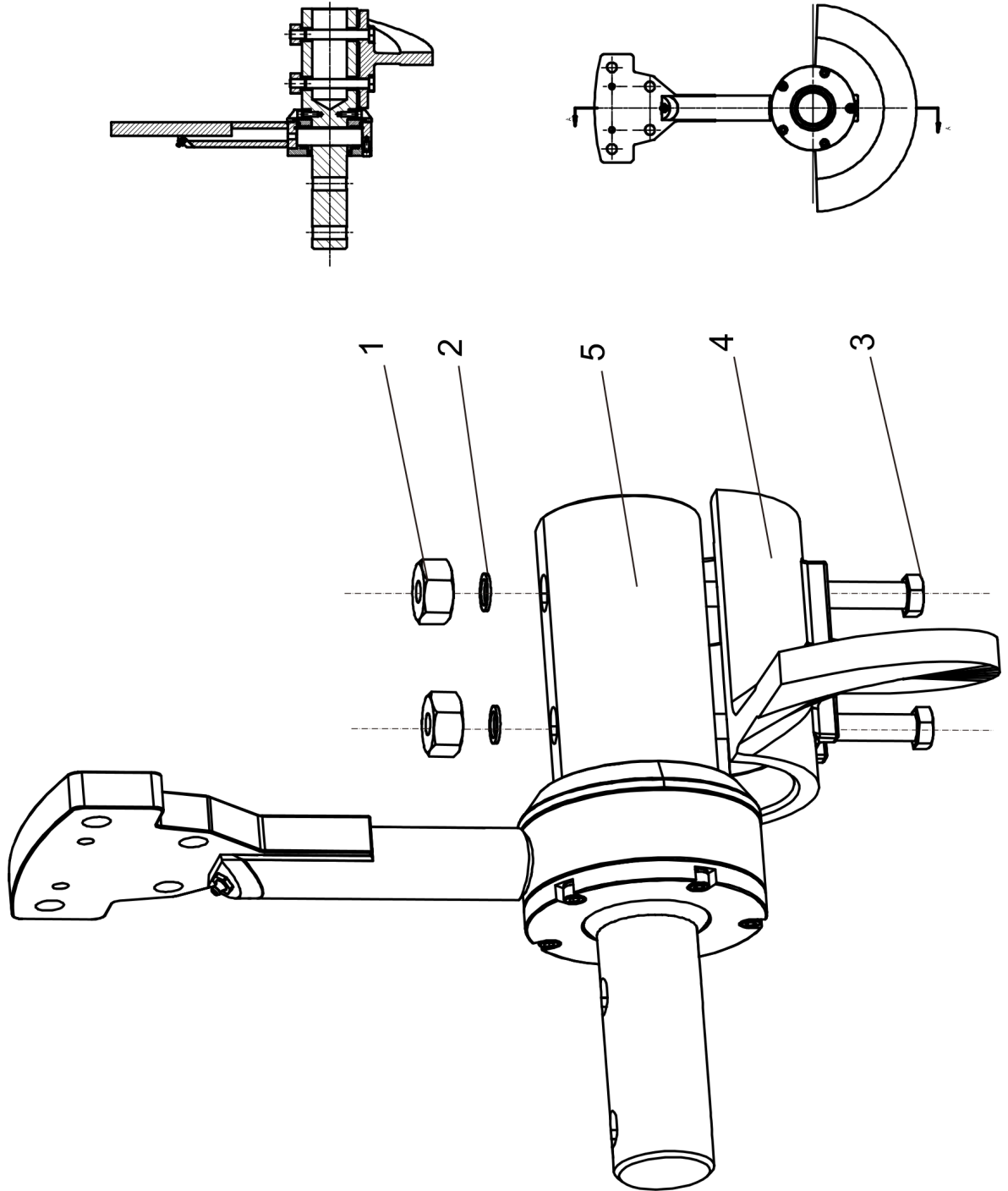


Refer to Parts Online for the most up to date information. The printed information might be outdated.

Wed Oct 21 02:01:58 MDT 2015

Item	Part No.	Name	Qty	L	SN INFO
1	4812247069	Sleeve	1		
2	4812247882	Special auger, left 380MM	1		
3	4812247066	Bolt	2		
4	0333310042	Schnorr-lock washer	2		
5	4749901556	Nut	2		

Auger for 15 paving width Left bearing retainer assembly

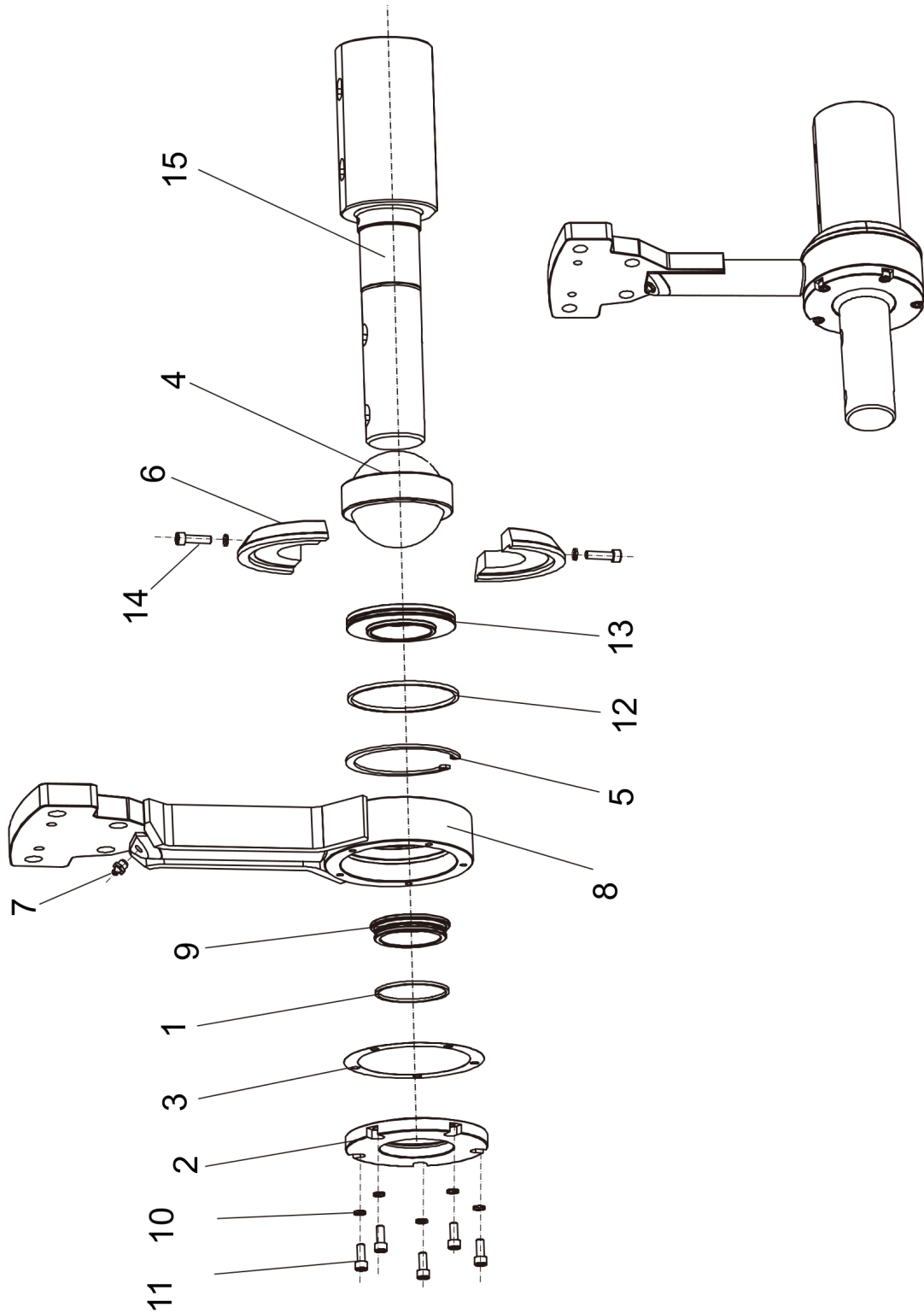


Refer to Parts Online for the most up to date information. The printed information might be outdated.

Wed Oct 21 02:01:58 MDT 2015

Item	Part No.	Name	Qty	L	SN INFO
1	4749901556	Nut	2		
2	0333310042	Schnorr-lock washer	2		
3	4812247066	Bolt	2		
4	4812246070	Left special half auger, 380mm	1		
5		Bearing retainer assembly	1		

Auger for 15 paving width Bearing retainer assembly

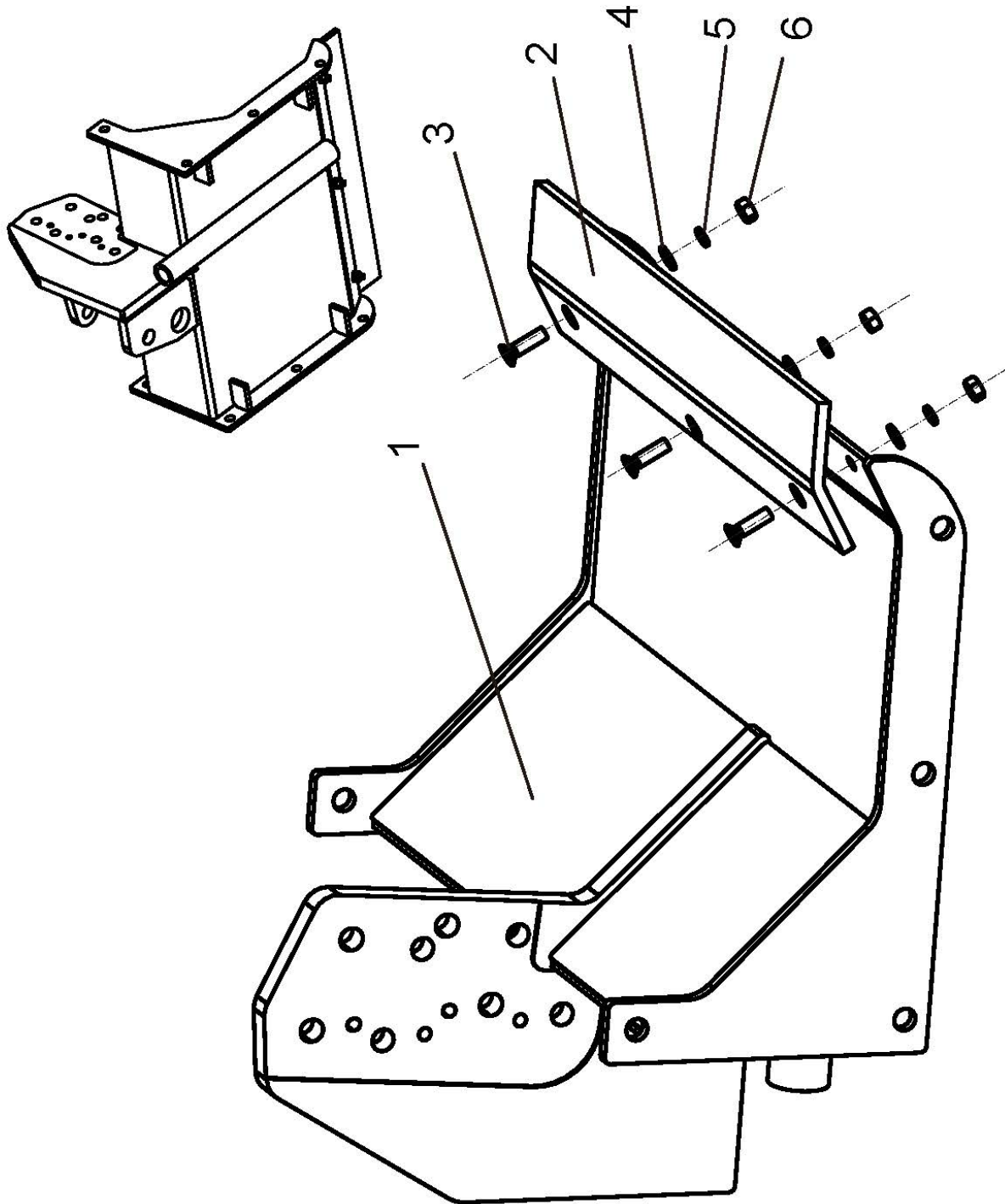


Refer to Parts Online for the most up to date information. The printed information might be outdated.

Wed Oct 21 02:01:59 MDT 2015

Item	Part No.	Name	Qty	L	SN INFO
1	4812246286	Sealing	1		
2	4812246302	Bearing cap	1		
3	4812246283	Sealing	1		
4	4812240177	Bearing	1		
5	4812240178	Circlip	1		
6	4812246299	Bearing cap up	2		
7	4812240234	Grease nipple	1		
8	4812246303	Bearing retainer	1		
9	4812246301	Sleeve	1		
10	4812240307	Washer	7		
11	0211132303	Hex sock screw	5		
12	4812240135	Sealing	1		
13	4812246300	Bearing cap	1		
14	0211132603	Hexagon socket head cap screw	2		
15	4812247101	Shaft	1		
16	4812040894	Grease	0.12		

Auger for 15 paving width 4812248911 Chute plate

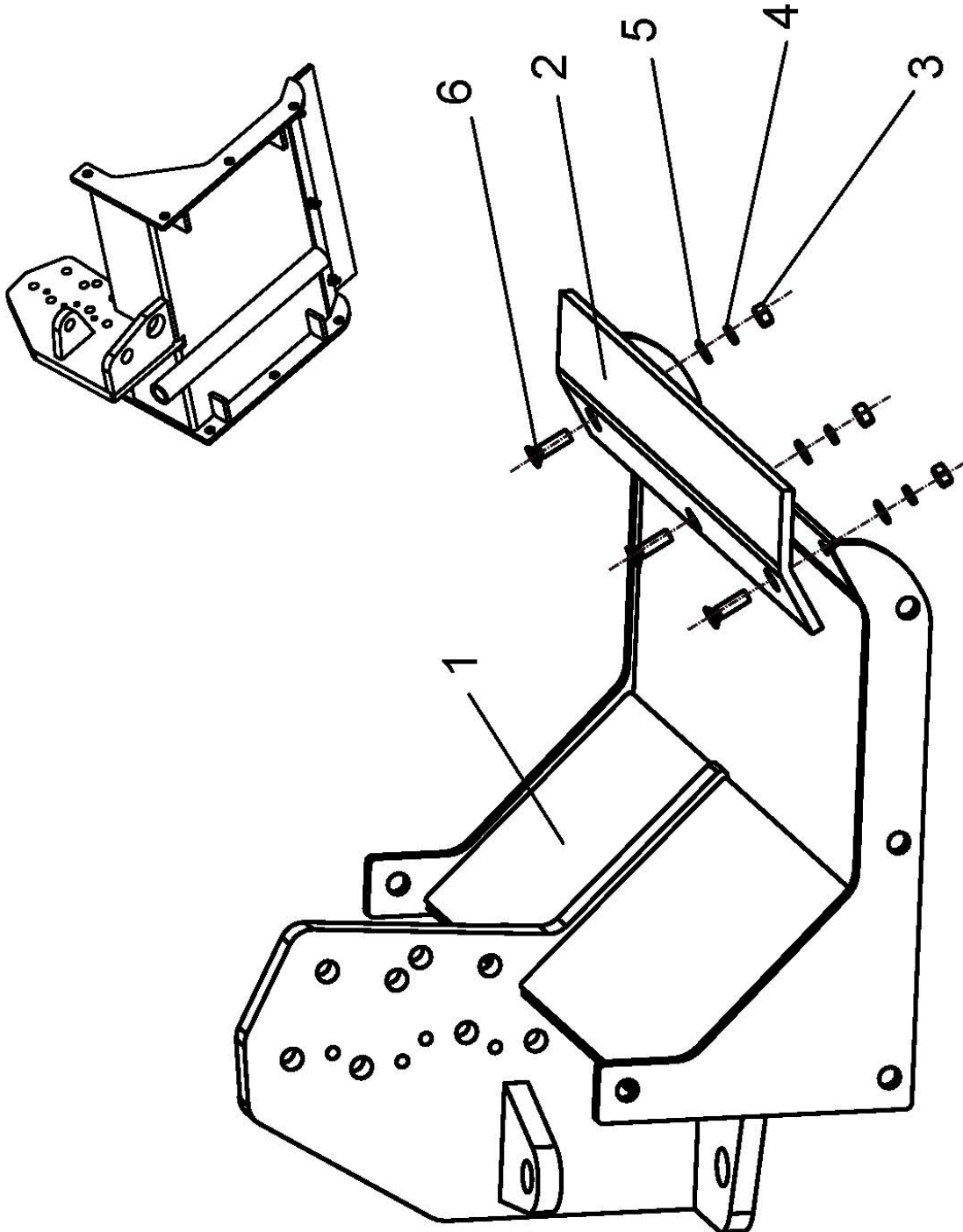


Refer to Parts Online for the most up to date information. The printed information might be outdated.

Wed Oct 21 02:01:59 MDT 2015

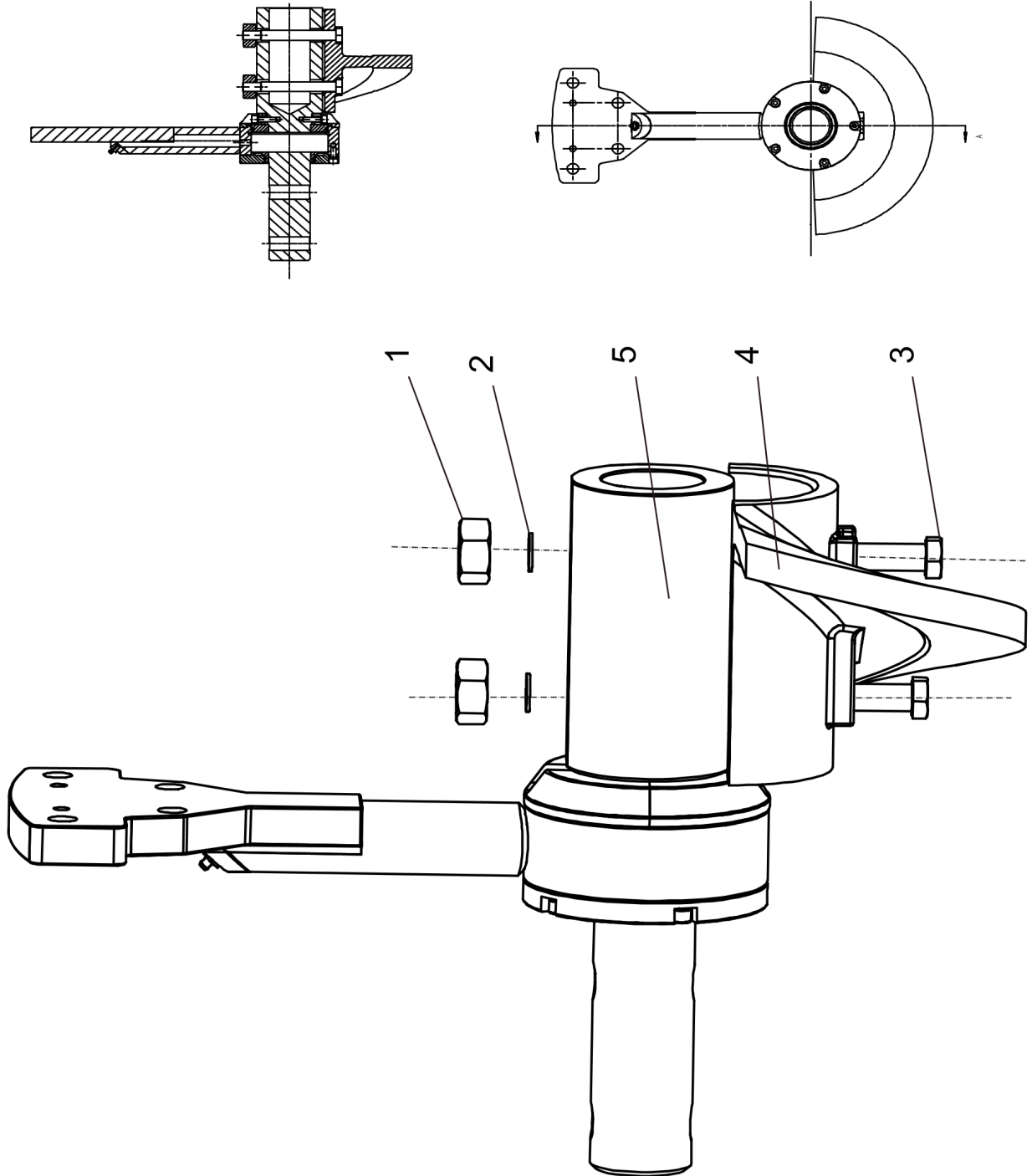
Item	Part No.	Name	Qty	L	SN INFO
1	4812248910	Chute plate	1		
2	4812246999	Protection board	1		
3	3370044501	Countersunk screw	3		
4	0301234400	Plain washer M10.5/22	3		
5	4812240226	Washer	3		
6	0266211100	Hexagon nut	3		

Auger for 15 paving width 4812248909 Chute plate



Item	Part No.	Name	Qty	L	SN INFO
1	4812248908	Chute plate	1		
2	4812246999	Protection board	1		
3	0266211100	Hexagon nut	3		
4	4812240226	Washer	3		
5	0301234400	Plain washer M10.5/22	3		
6	3370044501	Countersunk screw	3		

Auger for 15 paving width Right bearing retainer assembly

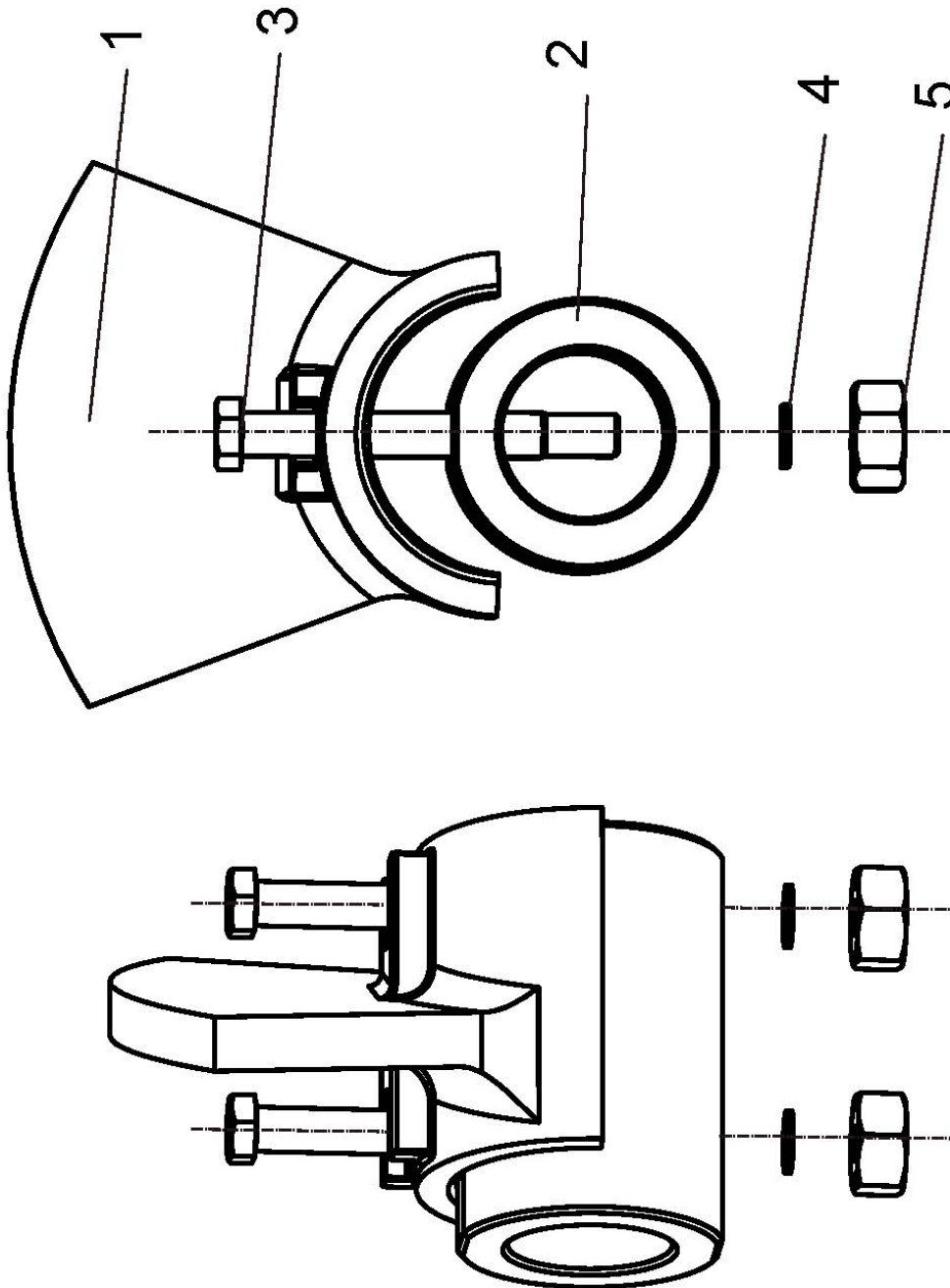


Refer to Parts Online for the most up to date information. The printed information might be outdated.

Wed Oct 21 02:02:00 MDT 2015

Item	Part No.	Name	Qty	L	SN INFO
1	4749901556	Nut	2		
2	0333310042	Schnorr-lock washer	2		
3	4812247066	Bolt	2		
4	4812246071	Right special half auger,380mm	1		
5		Bearing retainer assembly	1		

Auger for 15 paving width Extend auger 380-1 right

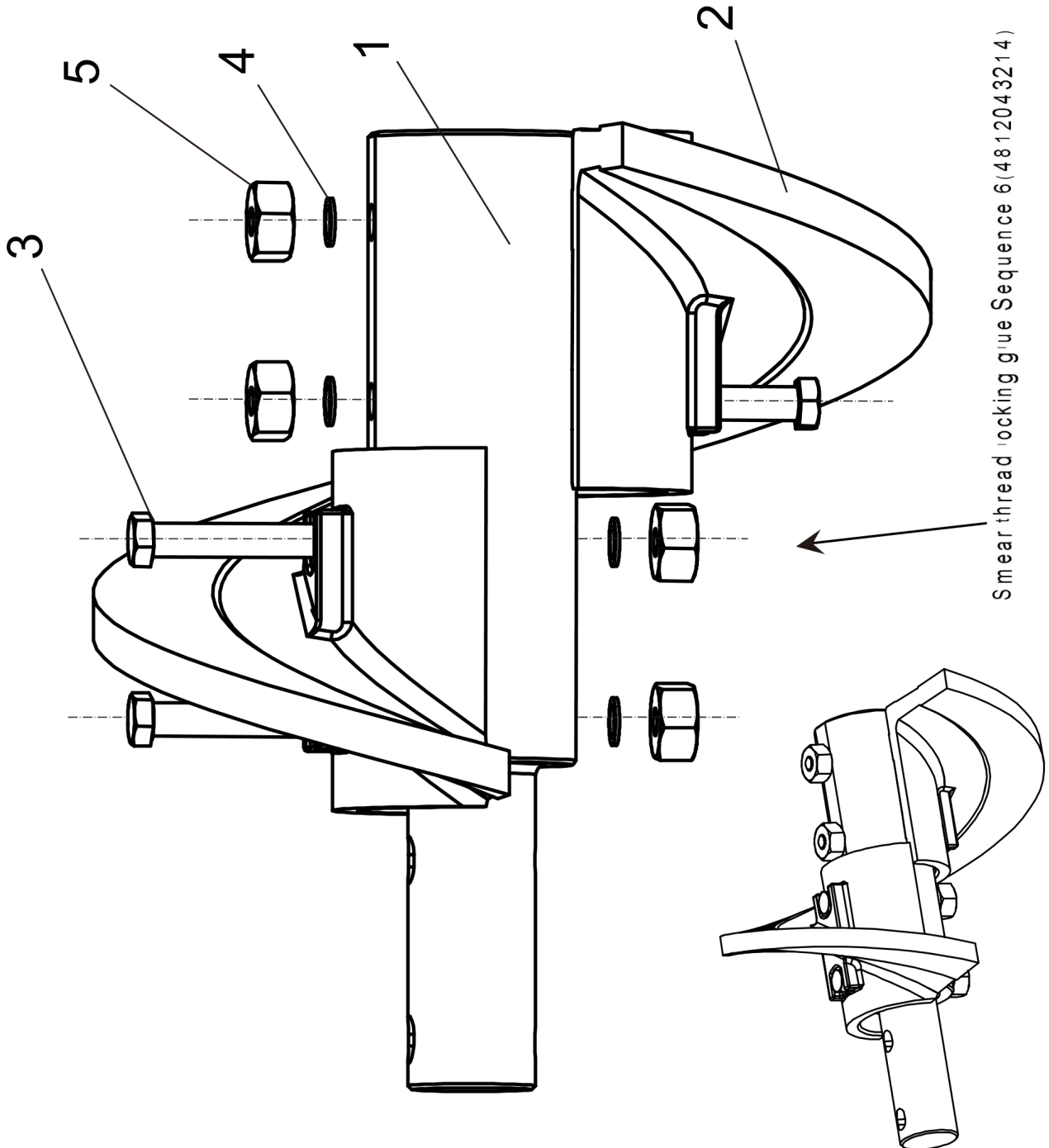


Refer to Parts Online for the most up to date information. The printed information might be outdated.

Wed Oct 21 02:02:01 MDT 2015

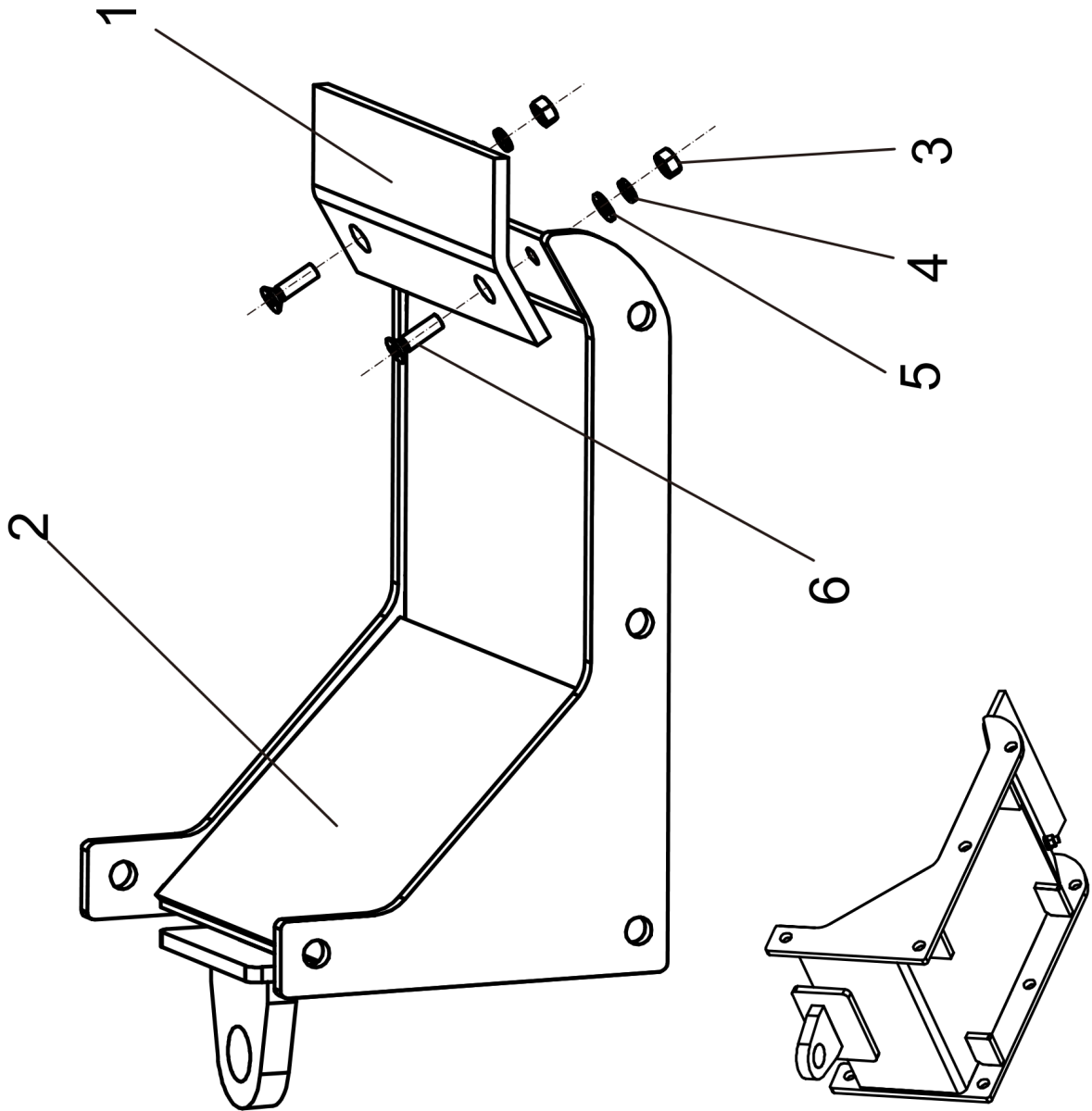
Item	Part No.	Name	Qty	L	SN INFO
1	4812247883	Special auger, right 380MM	1		
2	4812247069	Sleeve	1		
3	4812247066	Bolt	2		
4	0333310042	Schnorr-lock washer	2		
5	4749901556	Nut	2		

Auger for 15 paving width Extend auger 380-2 right



Item	Part No.	Name	Qty	L	SN INFO
1	4812247068	Shaft	1		
2	4812246071	Right special half auger,380mm	2		
3	4812247066	Bolt	4		
4	0333310042	Schnorr-lock washer	4		
5	4749901556	Nut	4		
6	4812043214	Glue x l	0.00 4		

Auger for 15 paving width 4812248906 Chute plate

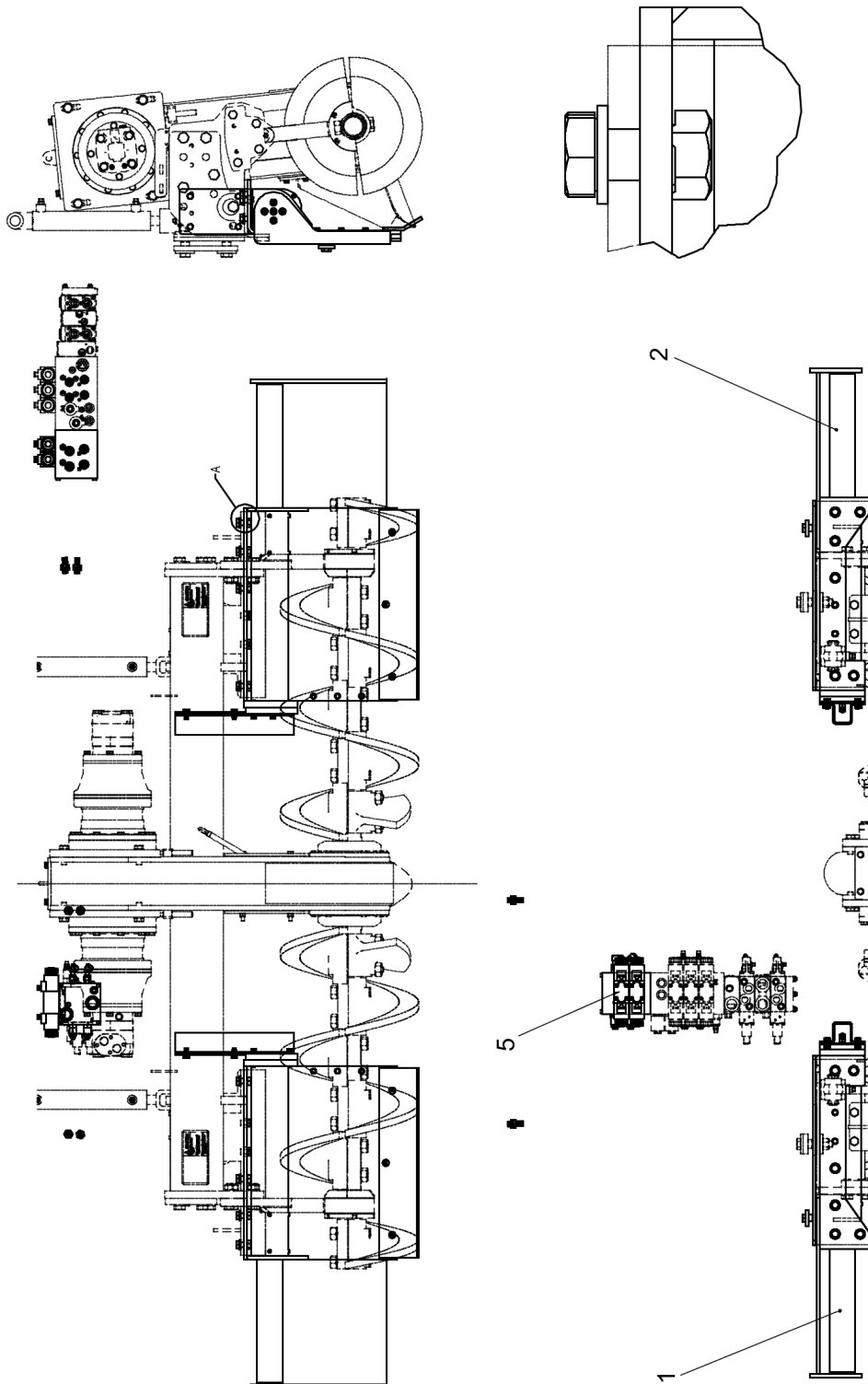


Refer to Parts Online for the most up to date information. The printed information might be outdated.

Wed Oct 21 02:02:02 MDT 2015

Item	Part No.	Name	Qty	L	SN INFO
1	4812247116	Protection board	1		
2	4812248905	Chute plate	1		
3	0266211100	Hexagon nut	2		
4	4812240226	Washer	2		
5	0301234400	Plain washer M10.5/22	2		
6	3370044501	Countersunk screw	2		

4812244510 Hydraulic extension tunnel Hydraulic extension tunnel

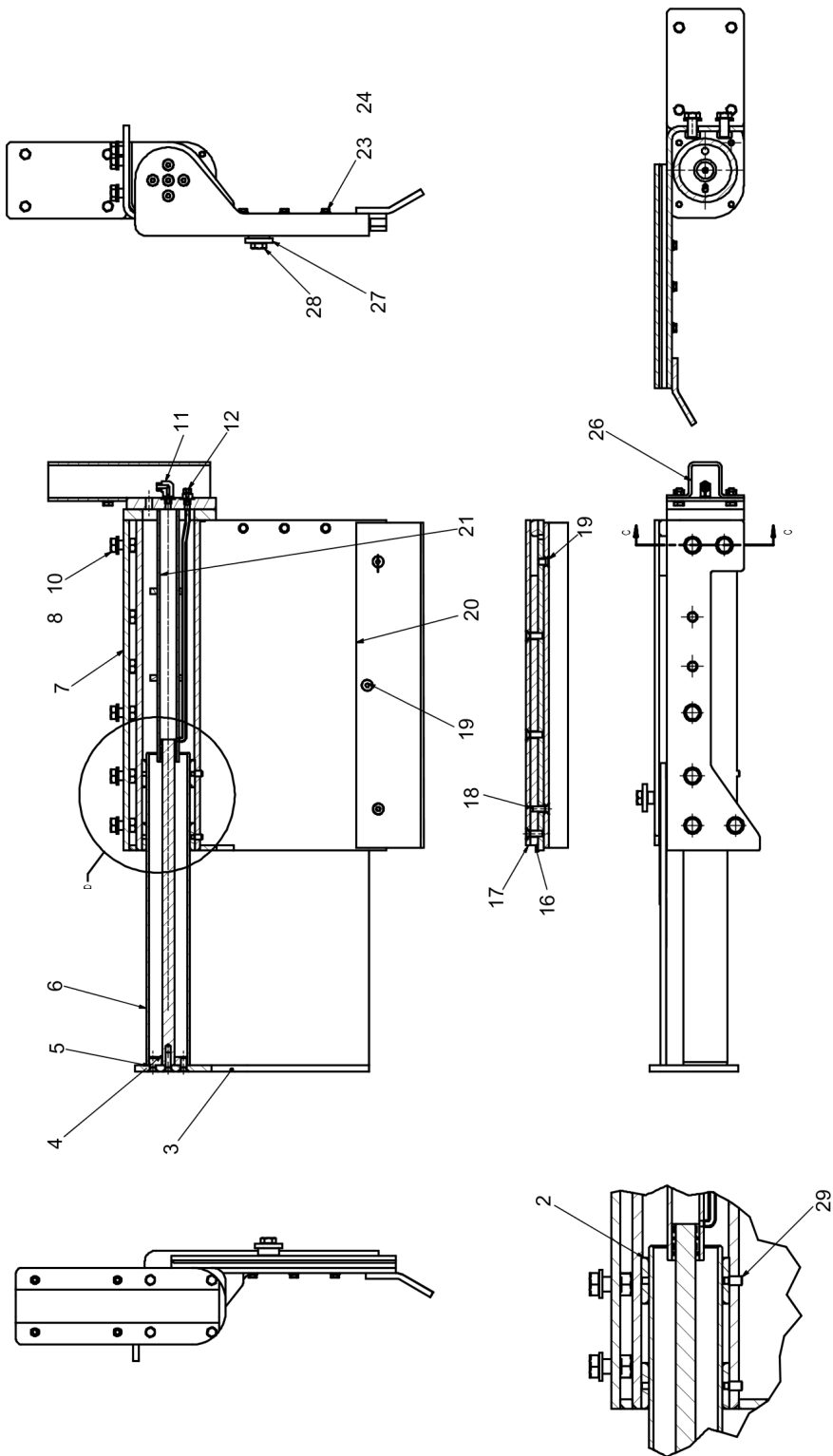


Refer to Parts Online for the most up to date information. The printed information might be outdated.

Wed Oct 21 02:02:02 MDT 2015

Item	Part No.	Name	Qty	L	SN INFO
1		Left main extension plate	1		
2		Right main extension plate	1		
5		Tunnel option hydraulic kit	1		

4812244510 Hydraulic extension tunnel 4812246713 Left main extension plate

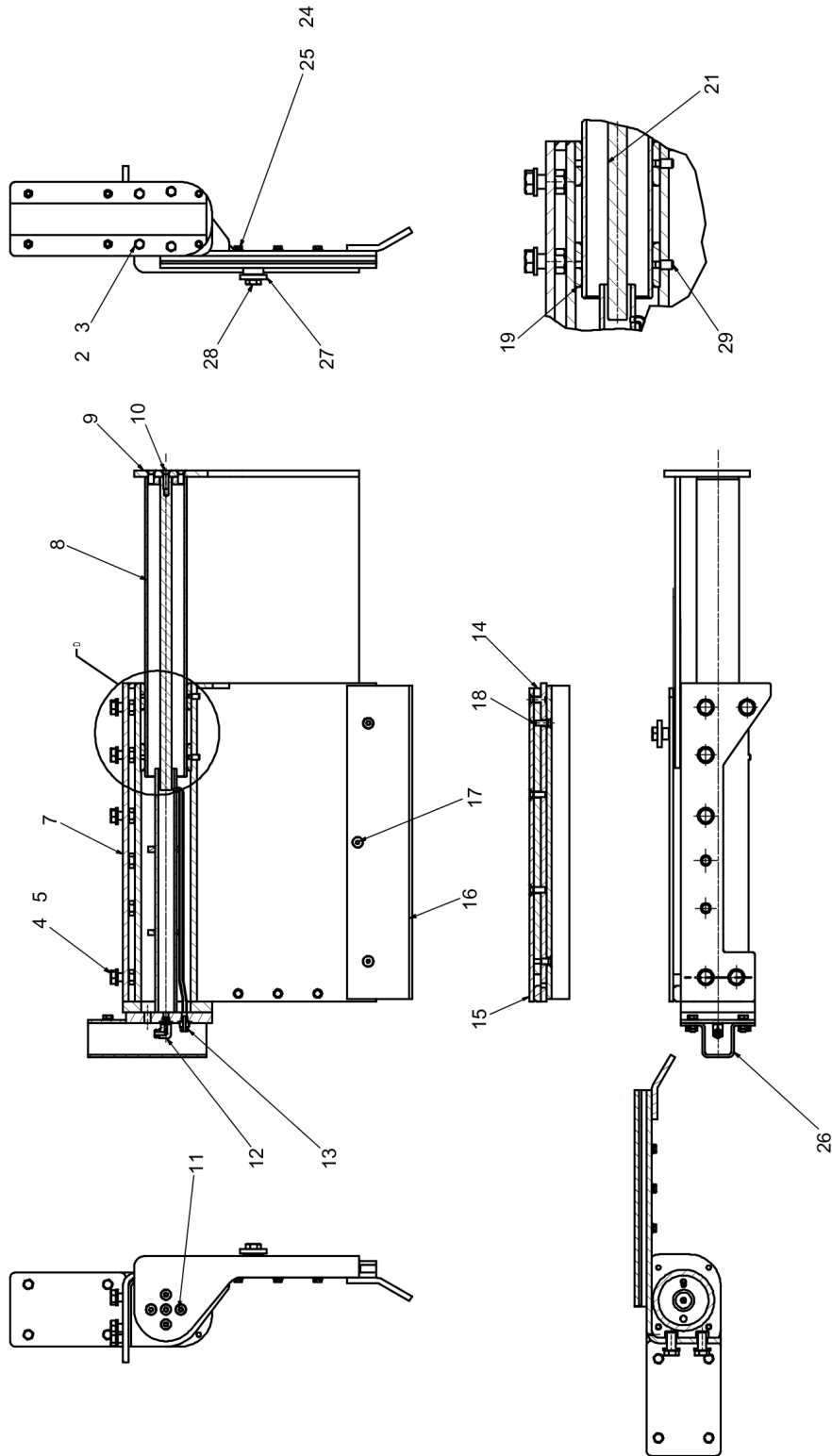


Refer to Parts Online for the most up to date information. The printed information might be outdated.

Wed Oct 21 02:02:03 MDT 2015

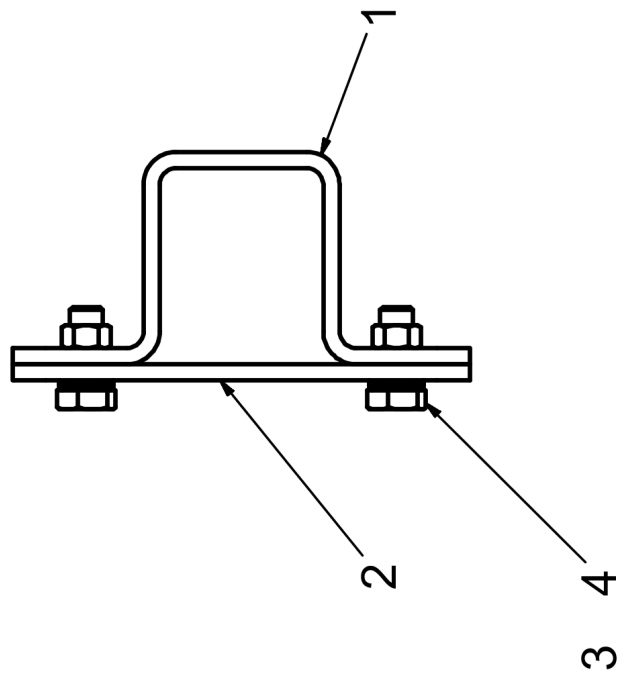
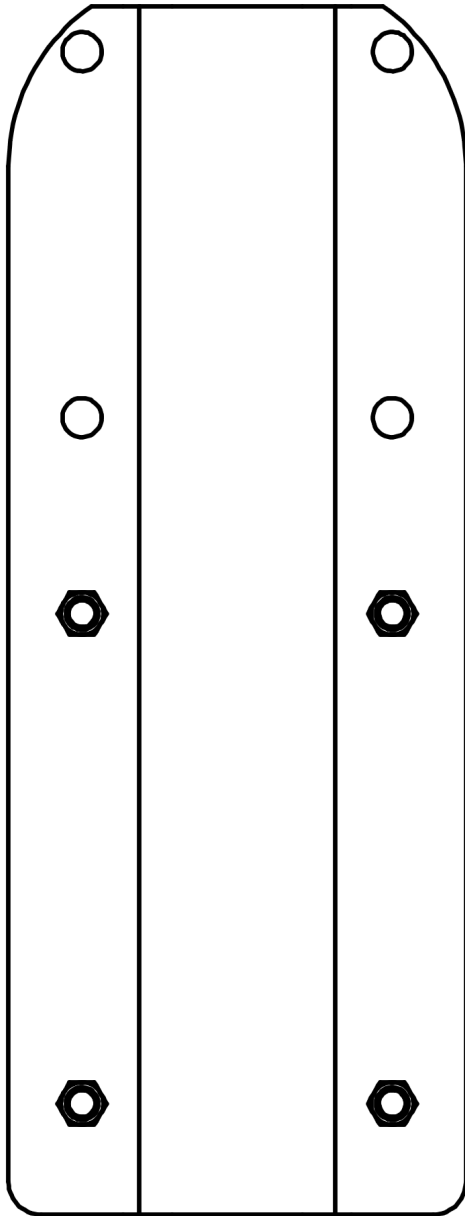
Item	Part No.	Name	Qty	L	SN INFO
2	4812249496	Self-lubricating bearing	2		
3	4812248398	Left extension plate, weldment	1		
4	3370044501	Countersunk screw	1		
5	0216195773	Countersunk screw	4		
6	4812248800	Telescopic sliding	1		
7	4812248698	Left sliding sleeve, weldment	1		
8	4749901853	Washer	6		
10	0147147603	Hex. head screw M16 x 35	6		
11	4700792334	Elbow 90 orfs	1		
12	4700791744	Adapter	1		
13	0147136712	Hexagon head screw	4		
14	4749901807	Washer	4		
16	4812203535	Plate	1		
17	4812203528	Left protect plate weldment	1		
18	0216110016	Countersunk screw	4		
19	0216110056	Countersunk screw	2		
20	4812246730	Protection board	1		
21	4812248788	Auger extension hydro-cylinder	1		
01	4812313154	4812248788 seal kit	1		
23	0147132603	Hex. head screw M8 x 30	3		
24	D939776113	Washer	3		
26	4812203745	Oil tube plate assembly	1		
27	4749900538	Washer	1		
28	0147147503	Screw DIN933	1		
29	0192136000	Thread pin	4		

4812244510 Hydraulic extension tunnel 4812246714 Right main extension plate



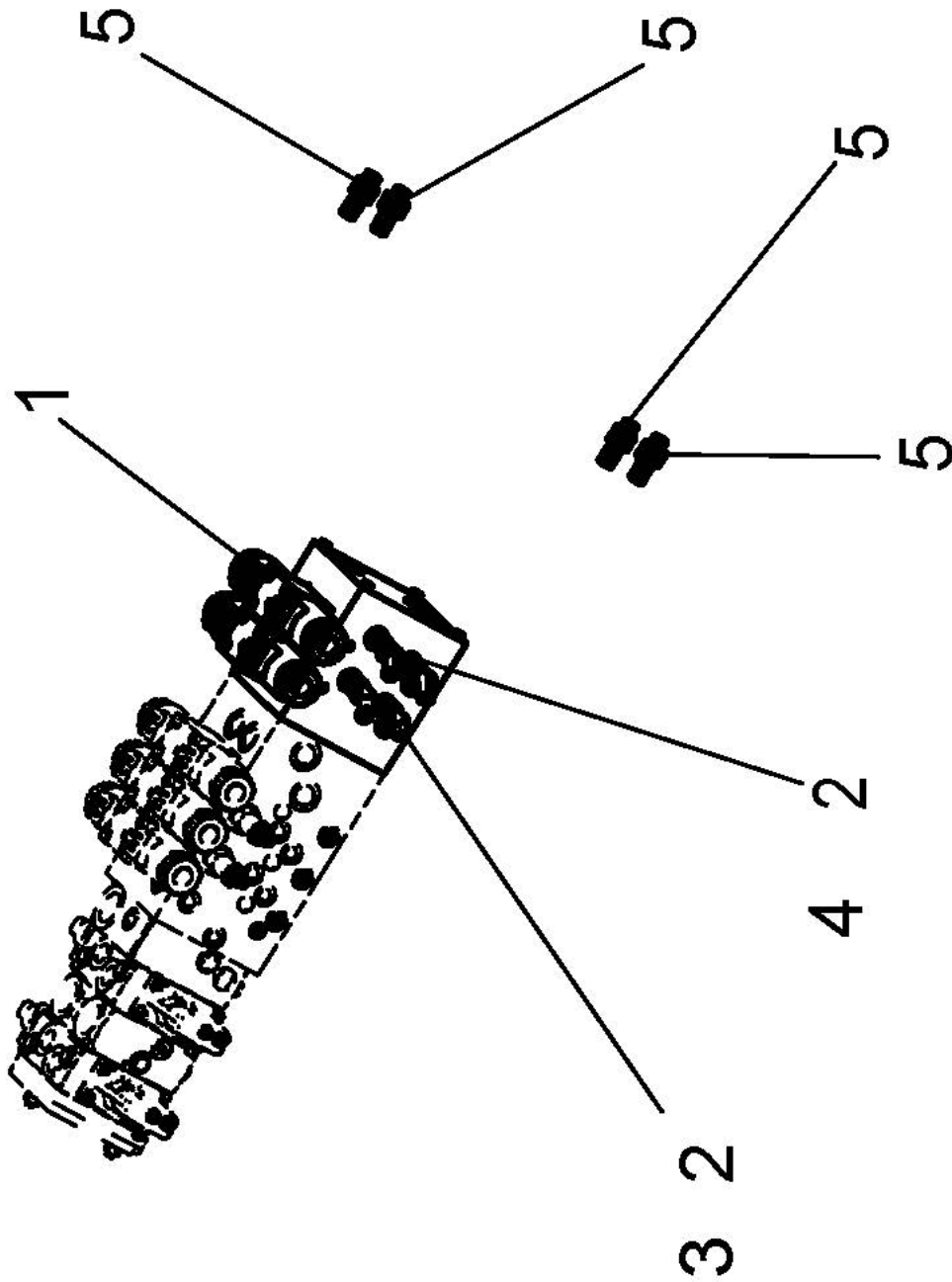
Item	Part No.	Name	Qty	L	SN INFO
2	4749901807	Washer	4		
3	0147136712	Hexagon head screw	4		
4	0147147603	Hex. head screw M16 x 35	6		
5	4749901853	Washer	6		
7	4812248699	Right sliding sleeve, weldment	1		
8	4812248800	Telescopic sliding	1		
9	4812248400	Right extension plate, weldment	1		
10	3370044501	Countersunk screw	1		
11	0216195773	Countersunk screw	4		
12	4700792334	Elbow 90 orfs	1		
13	4700791744	Adapter	1		
14	4812203535	Plate	1		
15	4812203531	Right protect plate weldment	1		
16	4812246730	Protection board	1		
17	0216110056	Countersunk screw	2		
18	0216110016	Countersunk screw	4		
19	4812249496	Self-lubricating bearing	2		
21	4812248788	Auger extension hydro-cylinder	1		
24	D939776113	Washer	3		
25	0147132603	Hex. head screw M8 x 30	3		
26	4812203745	Oil tube plate assembly	1		
27	4749900538	Washer	1		
28	0147147503	Screw DIN933	1		
29	0192136000	Thread pin	4		

4812244510 Hydraulic extension tunnel Oil tube protect plate assembly



Item	Part No.	Name	Qty	L	SN INFO
1	4812203743	Oil tube protect plate	1		
2	4812246652	Plate	1		
3	D939776113	Washer	4		
4	0147136203	Hex head screw M10 x 25	4		

Tunnel option hydraulic kit Tunnel option hydraulic kit

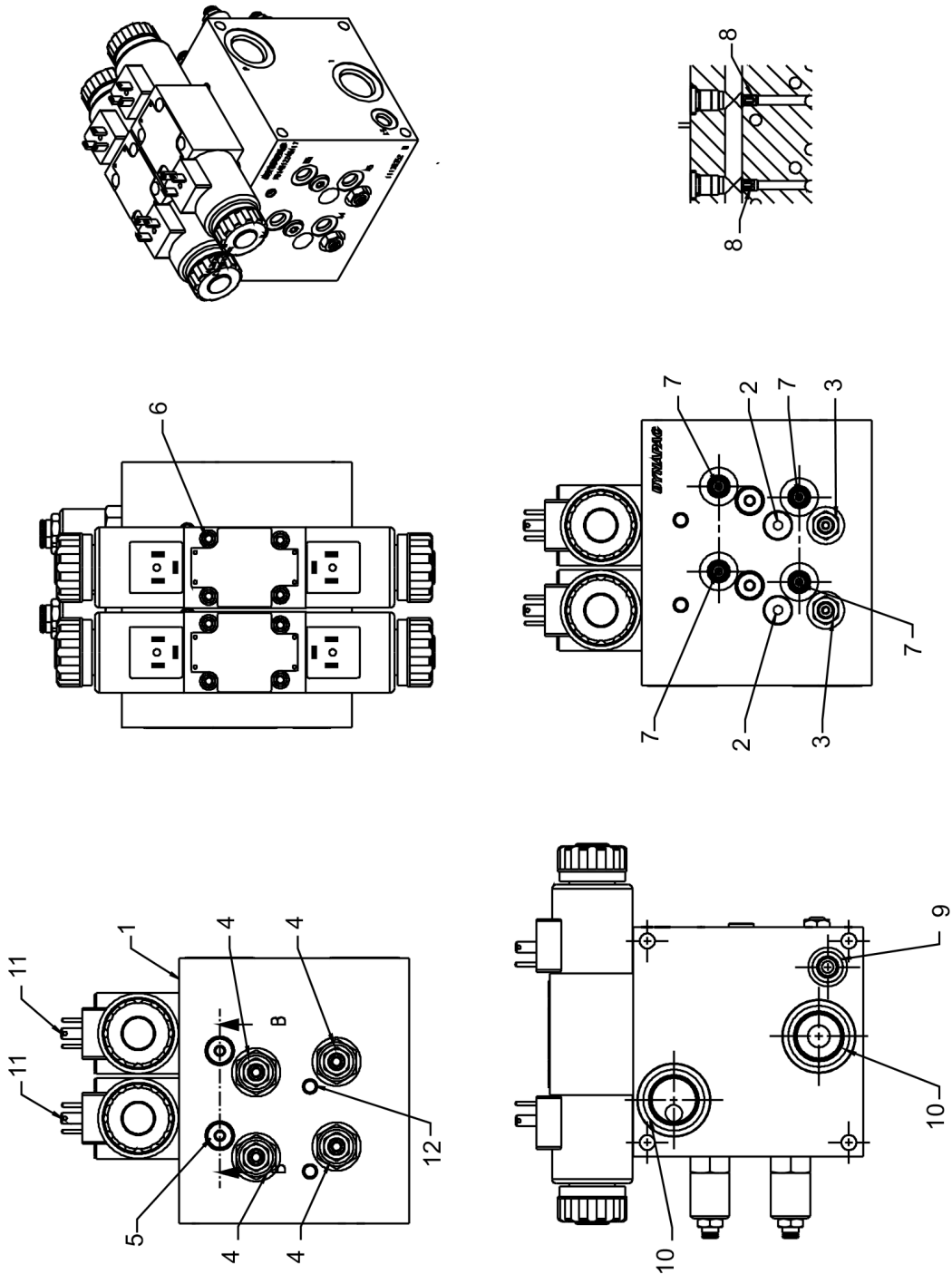


Refer to Parts Online for the most up to date information. The printed information might be outdated.

Wed Oct 21 02:02:05 MDT 2015

Item	Part No.	Name	Qty	L	SN INFO
1	4812246417	Tunnel option hydr. hic	1		
2	4700791744	Adapter	4		
3	4700791403	Elbow 45	2		
4	4812113110	Adapter	2		
5	4700792170	Adapter	4		
6	4812246135	Hose	1		
7	4812246128	Hose	1		
8	4812246142	Hose	1		
9	4812246140	Hose	1		
10	4812249261	Hose	2		
11	4812249262	Hose	2		

Tunnel option hydraulic kit 4812246417 Tunnel option hydr. Hic

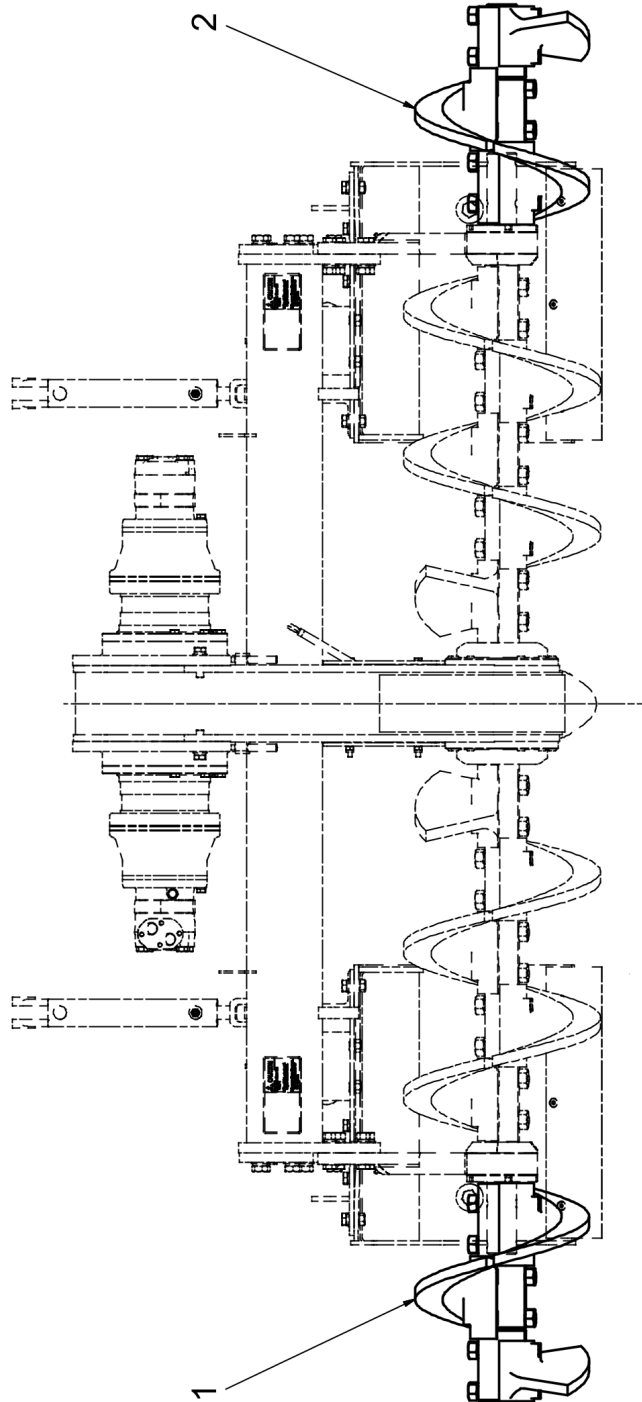


Refer to Parts Online for the most up to date information. The printed information might be outdated.

Wed Oct 21 02:02:05 MDT 2015

Item	Part No.	Name	Qty	L	SN INFO
1	-	Body	1		
2	D717952703	Valve, CP124	2		
3	D717952710	Valve, 3C100	2		
4	D717952717	Valve, CP448	4		
5	D717952864	Tapered plug, 4 SAE	6		
6	-	Screw	8		
7	-	Orifice	4		
8	4812270278	Plug, orifice M6X1	2		
9	-	O-ring	1		
10	-	O-ring	2		
11	D717951800	Valve	2		
12	-	Plug	16		

Extension auger 1ft kit Extension auger 1 FT kit

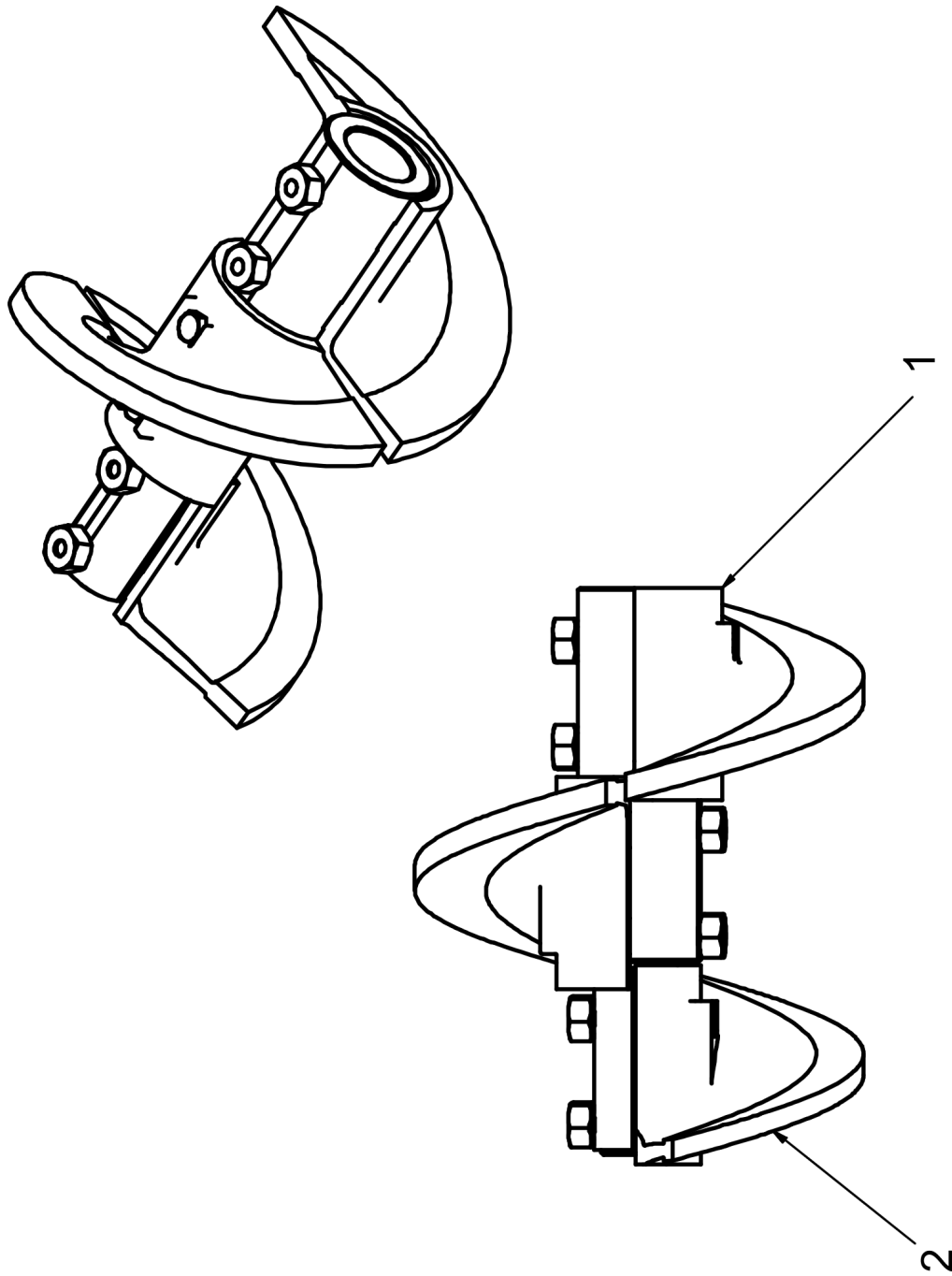


Refer to Parts Online for the most up to date information. The printed information might be outdated.

Wed Oct 21 02:02:06 MDT 2015

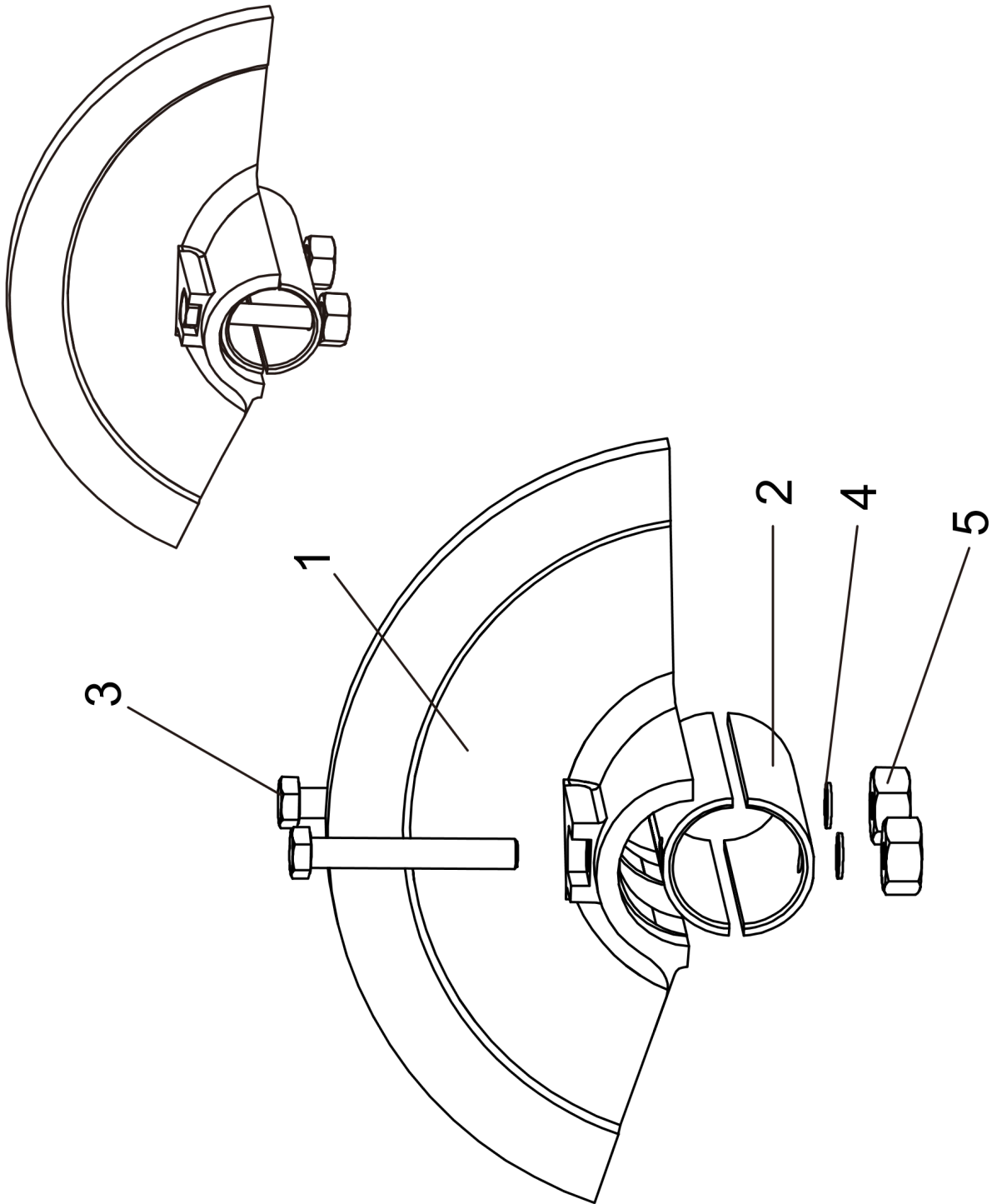
Item	Part No.	Name	Qty	L	SN INFO
1	4812248823	Left extension auger 1FT kit	1		
2	4812248825	Right extension auger 1FT kit	1		

Extension auger 1ft kit 4812248823 Left extension auger 1FT kit



Item	Part No.	Name	Qty	L	SN INFO
1	4812247107	Extend auger	1		
2	4812204563	Left extend auger 380-168	1		

Extension auger 1ft kit 4812204563 Left extend auger

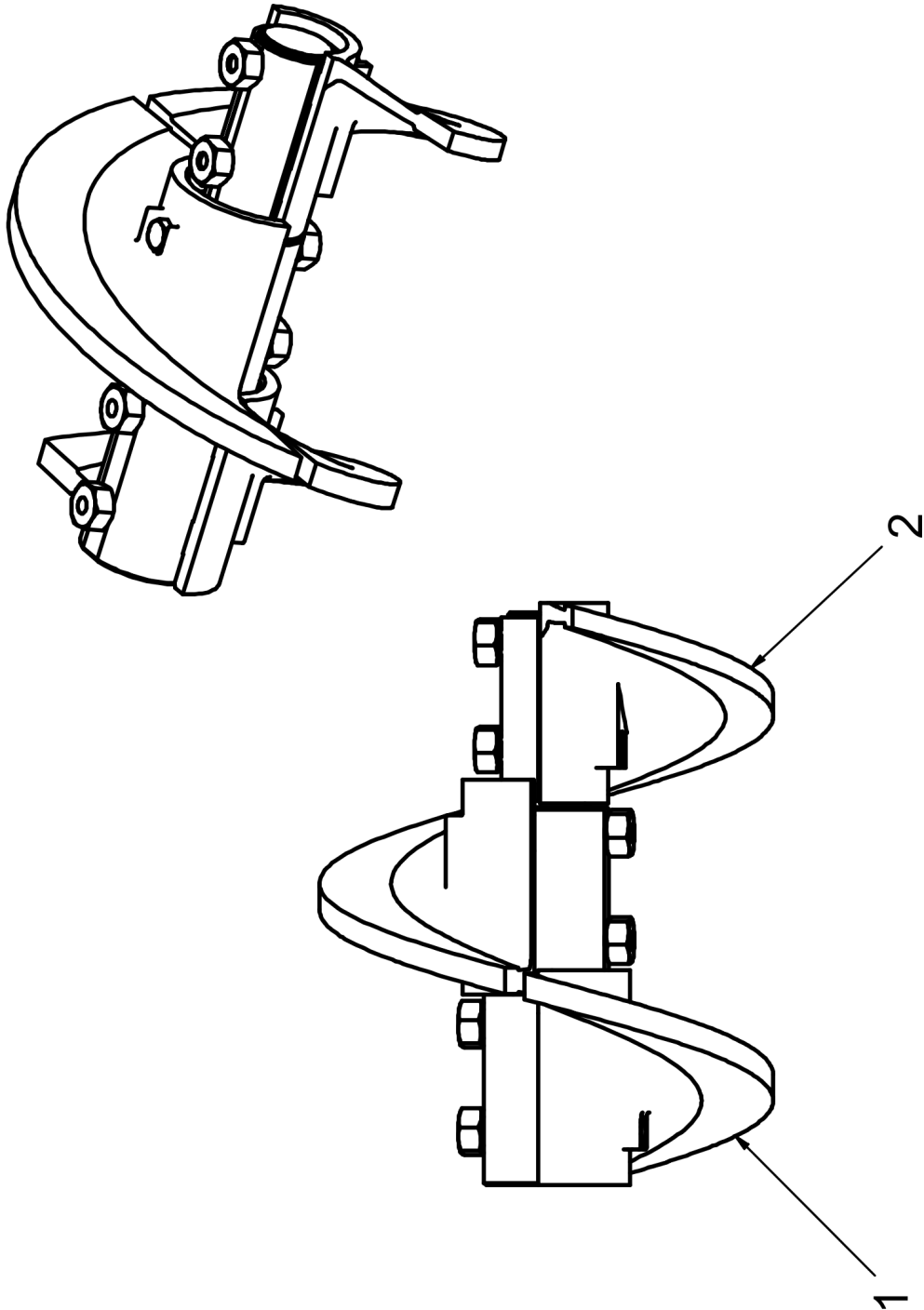


Refer to Parts Online for the most up to date information. The printed information might be outdated.

Wed Oct 21 02:02:07 MDT 2015

Item	Part No.	Name	Qty	L	SN INFO
1	D380001258	Auger wing, l.h., short	1		
2	4812203211	Sleeve	2		
3	0147149103	Hex. head screw	2		
4	0333310042	Schnorr-lock washer	2		
5	4749901556	Nut	2		

Extension auger 1ft kit 4812248825 Right extension auger 1FT kit

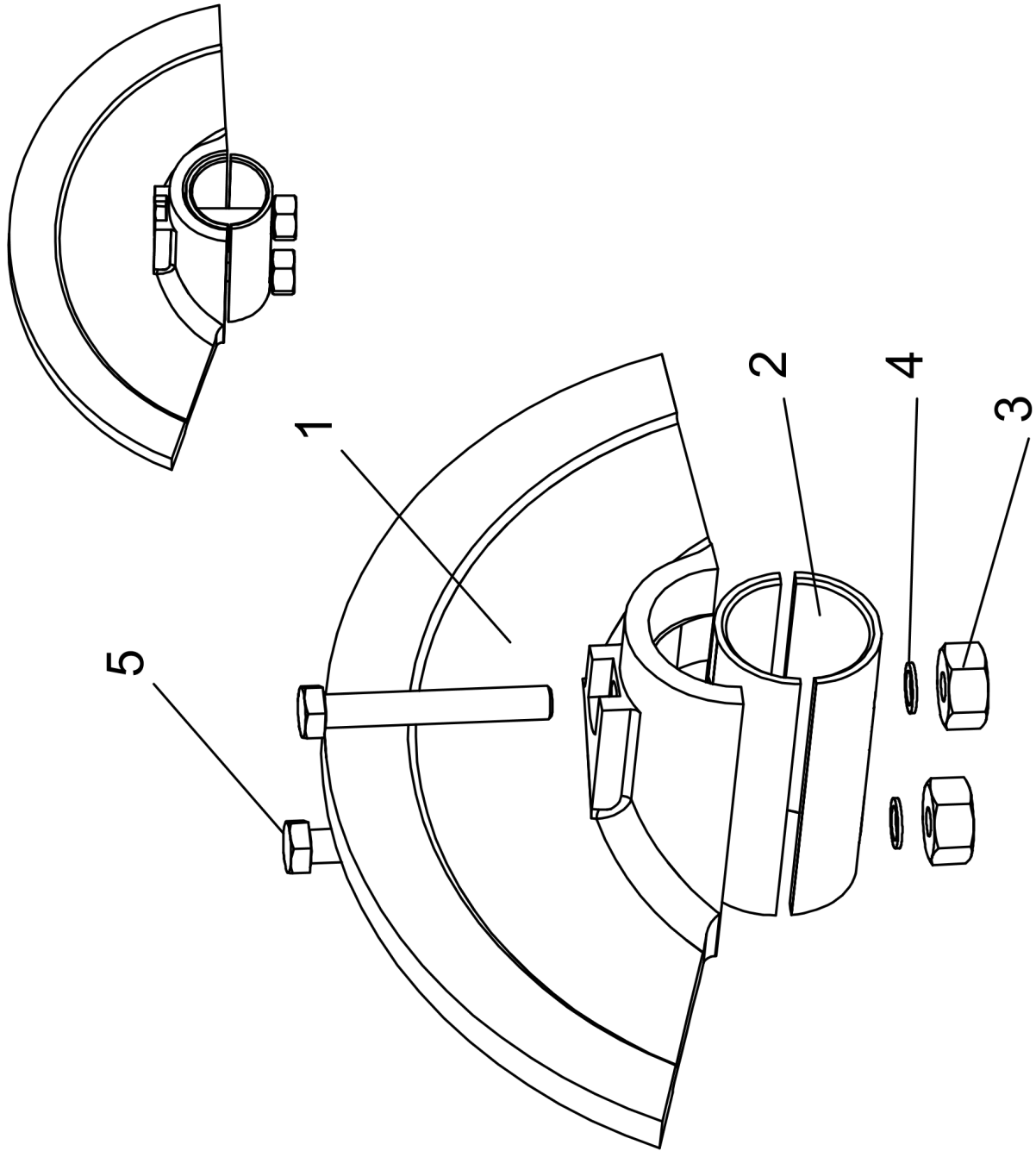


Refer to Parts Online for the most up to date information. The printed information might be outdated.

Wed Oct 21 02:02:07 MDT 2015

Item	Part No.	Name	Qty	L	SN INFO
1	4812247108	Extend auger	1		
2	4812204580	Right extend auger 380-168	1		

Extension auger 1ft kit 4812204580 Right extend auger

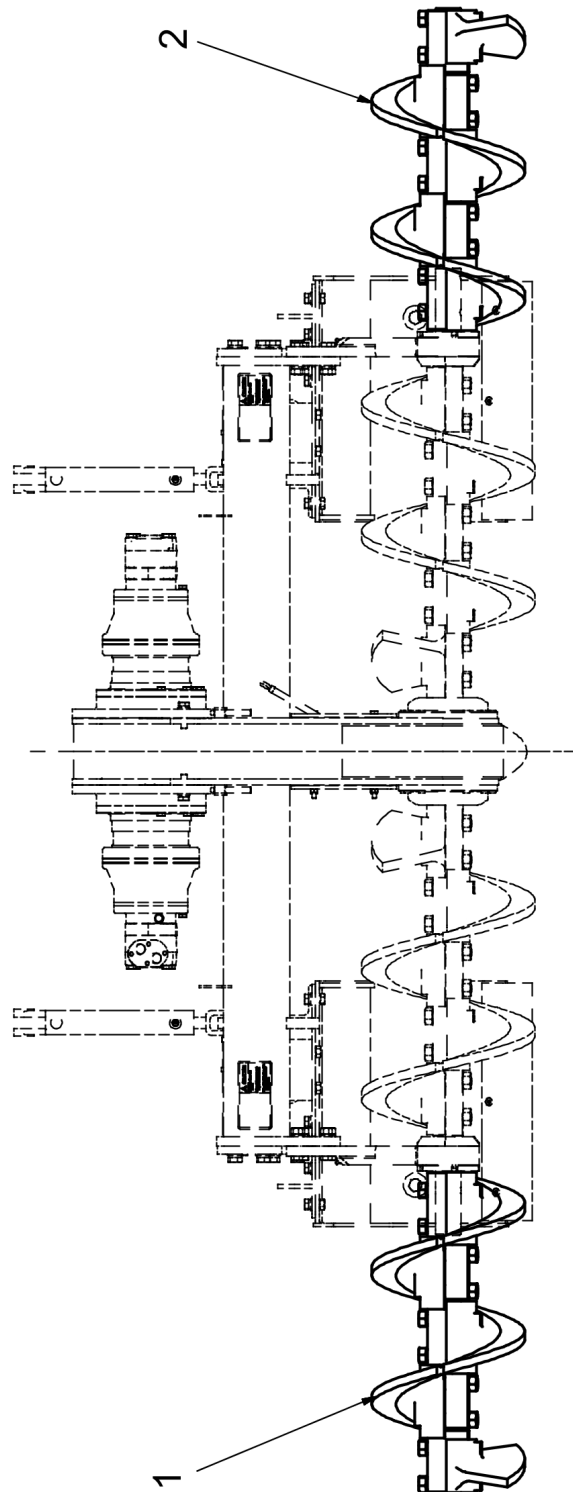


Refer to Parts Online for the most up to date information. The printed information might be outdated.

Wed Oct 21 02:02:08 MDT 2015

Item	Part No.	Name	Qty	L	SN INFO
1	D380001259	Auger wing, r.h., short	1		
2	4812203211	Sleeve	2		
3	4749901556	Nut	2		
4	0333310042	Schnorr-lock washer	2		
5	0147149103	Hex. head screw	2		

Extension auger 2ft kit Extension auger 2FT kit

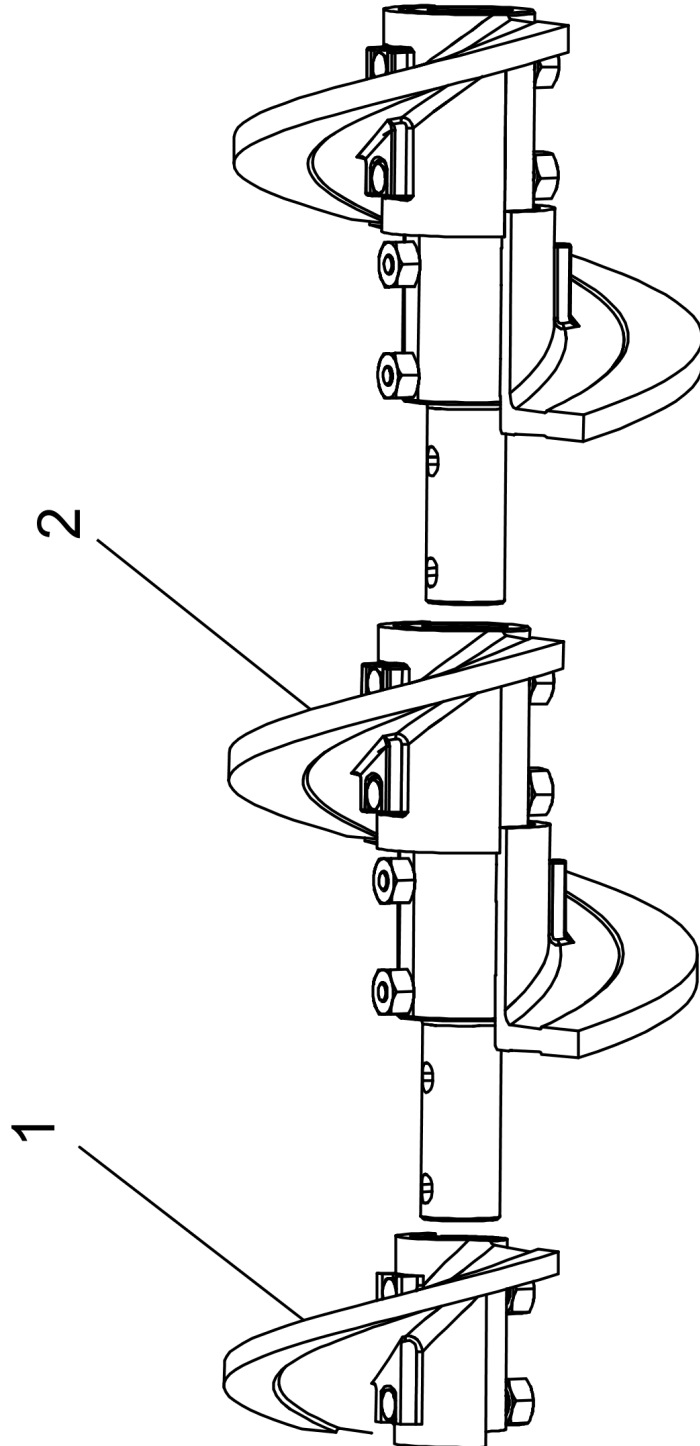


Refer to Parts Online for the most up to date information. The printed information might be outdated.

Wed Oct 21 02:02:08 MDT 2015

Item	Part No.	Name	Qty	L	SN INFO
1	4812248826	Left extension auger 2FT kit	1		
2	4812248829	Right extension auger 2FT kit	1		

Extension auger 2ft kit 4812248826 Left extension auger 2FT kit

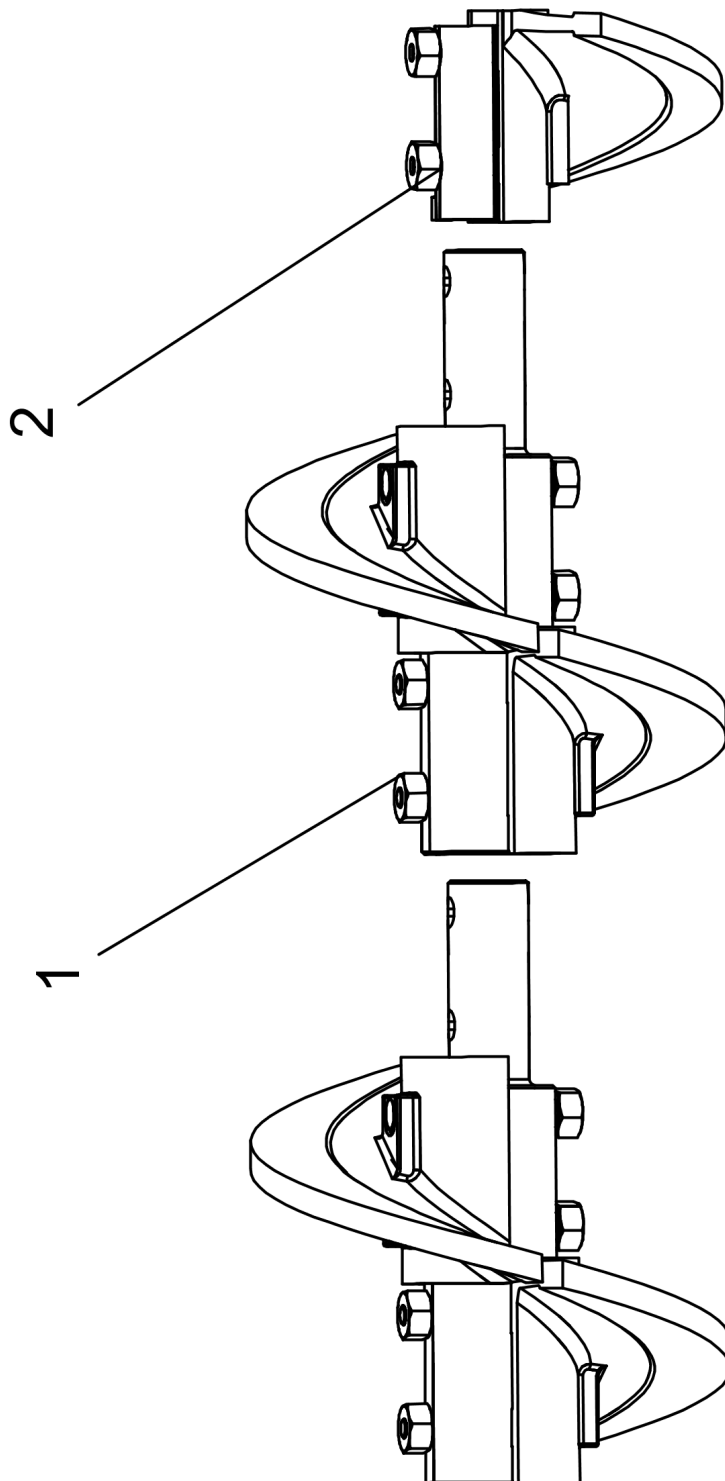


Refer to Parts Online for the most up to date information. The printed information might be outdated.

Wed Oct 21 02:02:09 MDT 2015

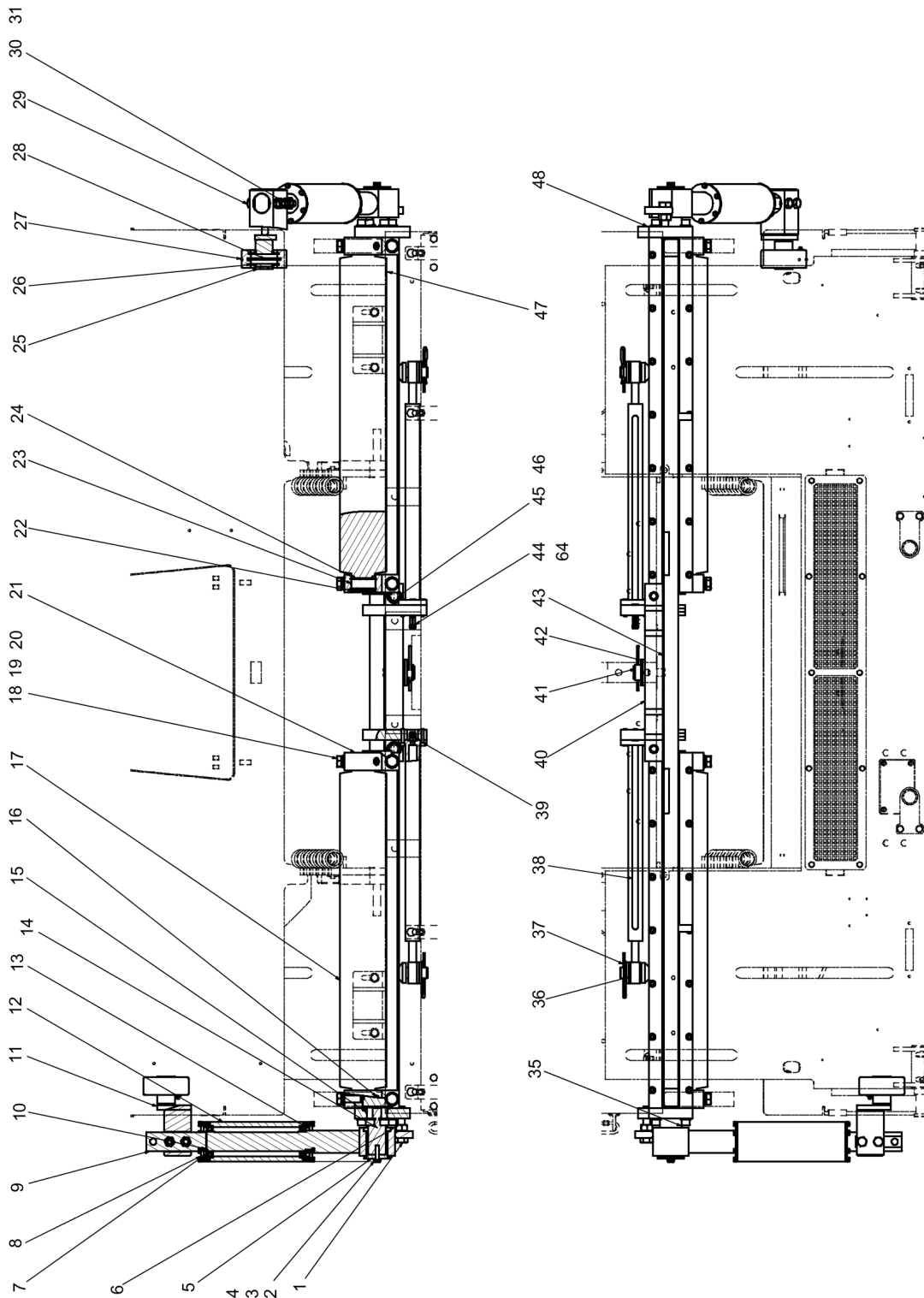
Item	Part No.	Name	Qty	L	SN INFO
1	4812204563	Left extend auger 380-168	1		
2	4812247107	Extend auger	2		

Extension auger 2ft kit 4812248829 Right extension auger 2FT kit



Item	Part No.	Name	Qty	L	SN INFO
1	4812247108	Extend auger	2		
2	4812204580	Right extend auger 380-168	1		

Truck hitch 4812249800 Truck hitch



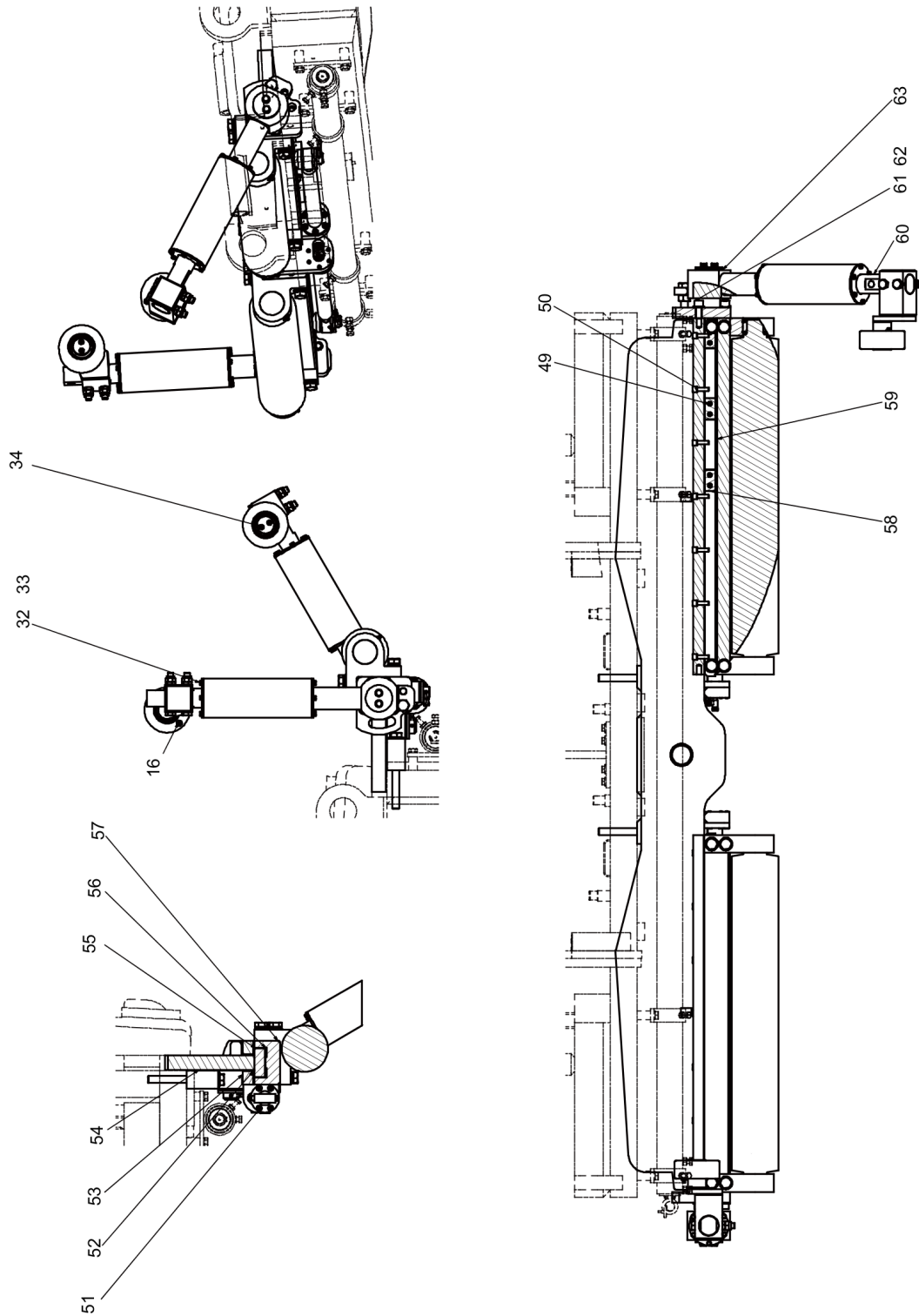
Refer to Parts Online for the most up to date information. The printed information might be outdated.

Wed Oct 21 02:02:11 MDT 2015

Item	Part No.	Name	Qty	L	SN INFO
1	5540417700	Hexagon head screw	2		
2	0147136503	Hex. head screw	4		
3	0301234400	Plain washer M10.5/22	4		
4	4812240226	Washer	32		
5	4812249772	Shaft cover	2		
6	0266211600	Hexagon nut	2		
7	D935004120	Roller bearing	4		
8	4812249761	Side roller cover-2	2		
9	4812249799	Arm base-R	1		
10	4812240694	Circlip	2		
11	4812249752	Rim roll bracket	2		
12	4812249765	Side roller	2		
13	4812249759	Side roller cover-1	2		
14	4812249773	Arm sleeve	2		
15	4812249771	Arm bracket	1		
16	4812240234	Grease nipple	6		
17	4812249778	Push roller	2		
18	0147155203	Hexagon head screw	12		
19	4812240289	Washer	12		
20	0300027413	Washer	12		
21	4812249777	Push roller support	4		
22	4812240233	End cover	4		
23	4812240235	Bearing	4		
24	4812240246	Circlip	8		
25	4812249754	Rim cover	2		
26	D936004849	Circlip	4		
27	4812249755	Rim roller	2		
28	4812249796	Self aligning rim roll	2		
29	0147110915	Hexagon head screw	4		
30	0261211400	Hexagon nut	4		
31	5730007656	Hexagon nut	4		
32	0147124703	Hex. head screw M6 x 20	24		
33	0301232100	Washer DIN125	24		
34	0216195783	Countersunk screw	4		
35	4812203402	Shaft washer	2		
36	4812249795	Washer	4		
37	D930205010	Spring pin	3		

Refer to Parts Online for the most up to date information. The printed information might be outdated.

Wed Oct 21 02:02:11 MDT 2015

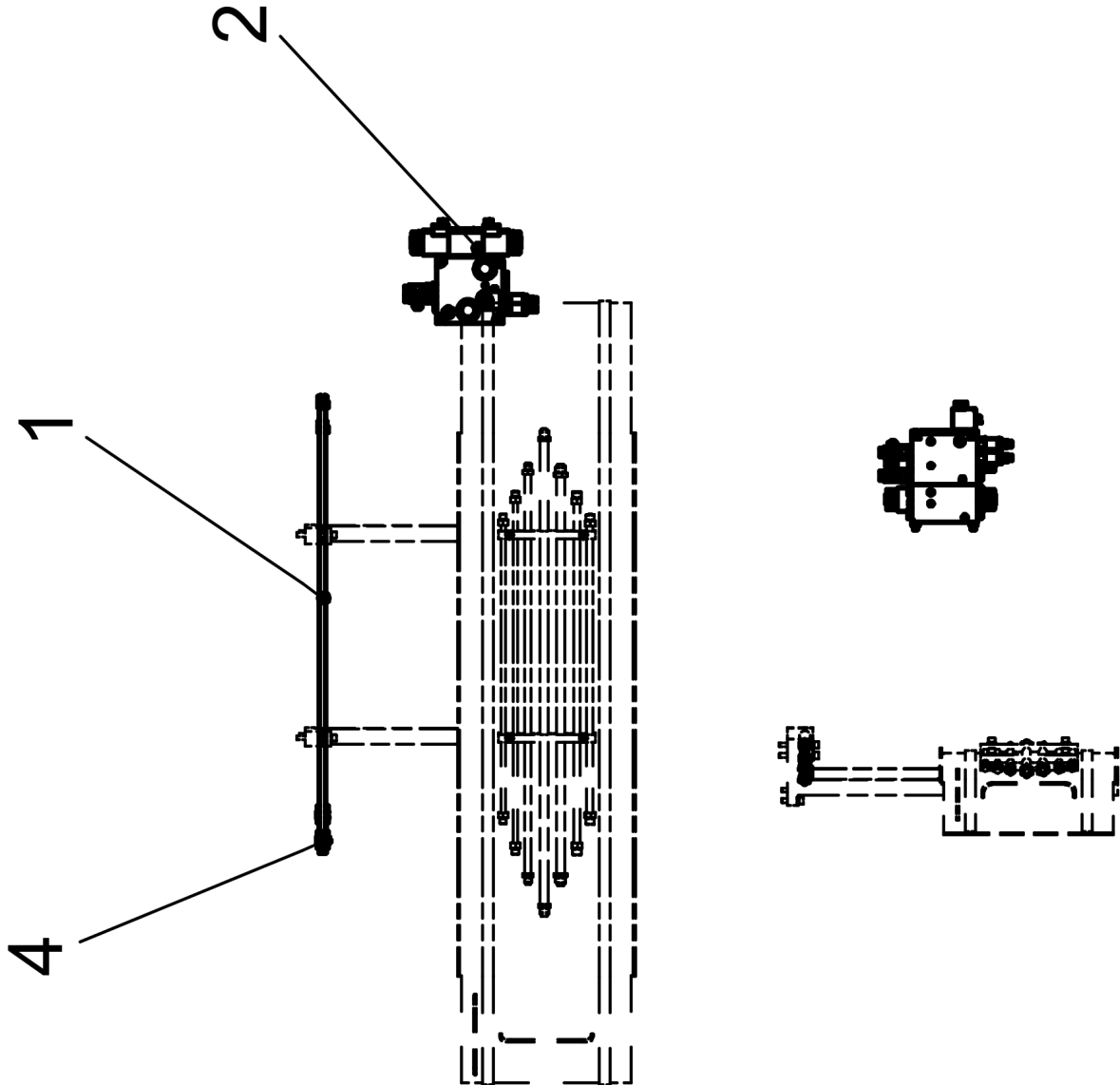


Refer to Parts Online for the most up to date information. The printed information might be outdated.

Wed Oct 21 02:02:11 MDT 2015

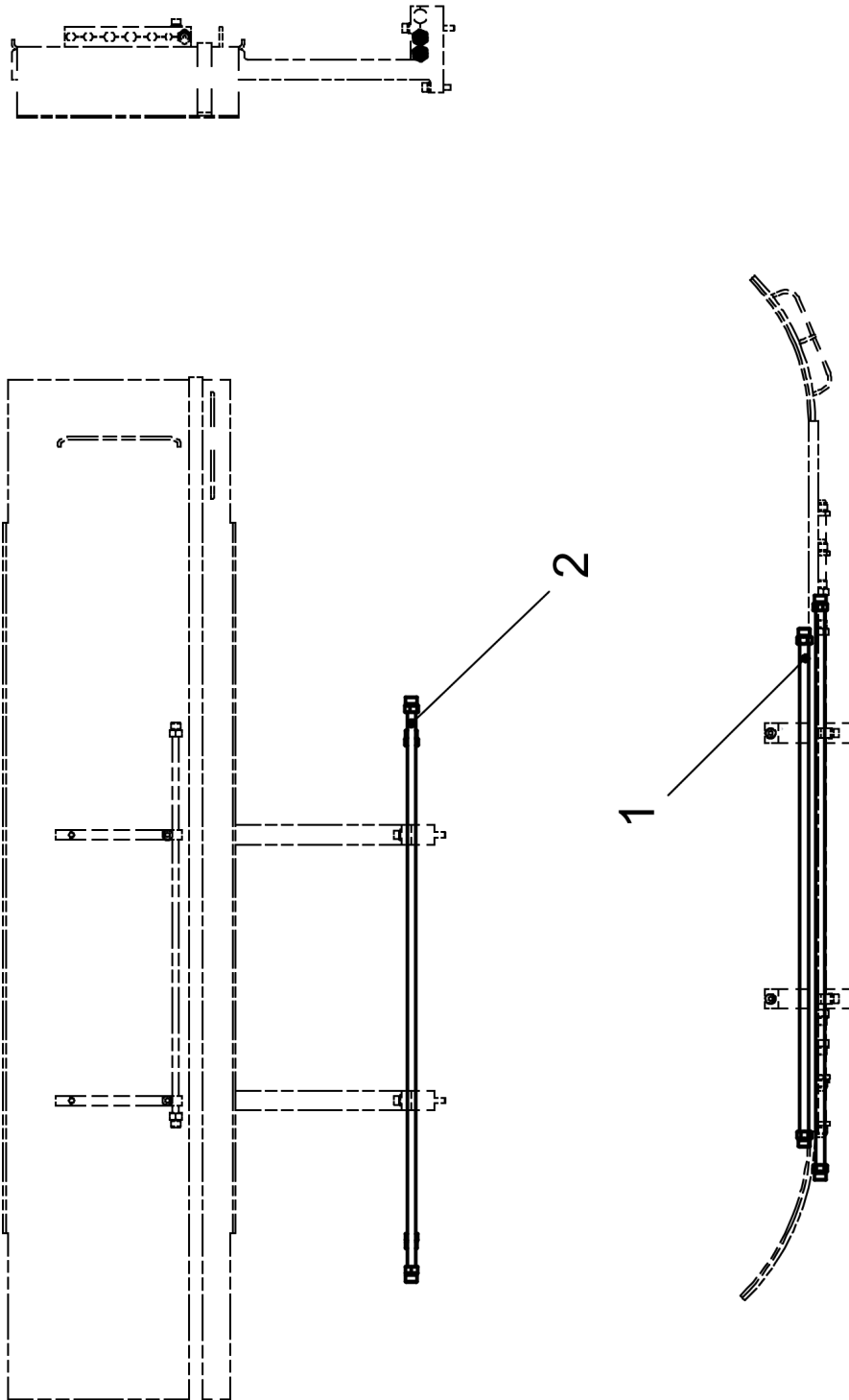
Item	Part No.	Name	Qty	L	SN INFO
38	4812203334	Truck hitch cylinder	2		
39	4700791744	Adapter	4		
40	4812245405	Plate, holder, push roller	1		
41	4812244348	Pin, pivot	1		
42	4812223951	Washer, pin	2		
43	4812223953	Push roller washer	1		
44	4812244854	Adapter	2		
45	4812223968	Bolt	2		
46	D939515040	Washer	2		
47	0216195726	Countersunk screw	20		
48	4812249806	Arm bracket	1		
49	0216110011	Countersunk screw	24		
50	0211136403	Hex soc head cap screw M10x35	28		
51	0211132803	Hex sock screw	10		
52	4812249783	Washer bar	4		
53	4812249776	Side bar	4		
54	4812249707	Base board	1		
55	4812249794	Slide bracket	2		
56	4812249797	Slide washer bar	4		
57	4812249781	Slide body	1		
58	4812249789	Slide block	12		
59	4812249809	Slide body-R	1		
60	4812249734	Arm base-L	1		
61	0211147603	Hexagon socket head cap screw	22		
62	0301237800	Plain washer	22		
63	4812249774	Copper washer	2		
64		Truck hitch option, hydraulic kit	1		

Truck hitch Truck hitch option hydr. kit



Item	Part No.	Name	Qty	L	SN INFO
1	4812249286	Push roller tuck hitch tube	1		
2	4812246476	Truck hitch & push roller	1		
3	4812249308	Truck hitch hose kit	1		
4	4700792823	Adapter	2		

Truck hitch 4812249286 Push roller tuck hitch tube



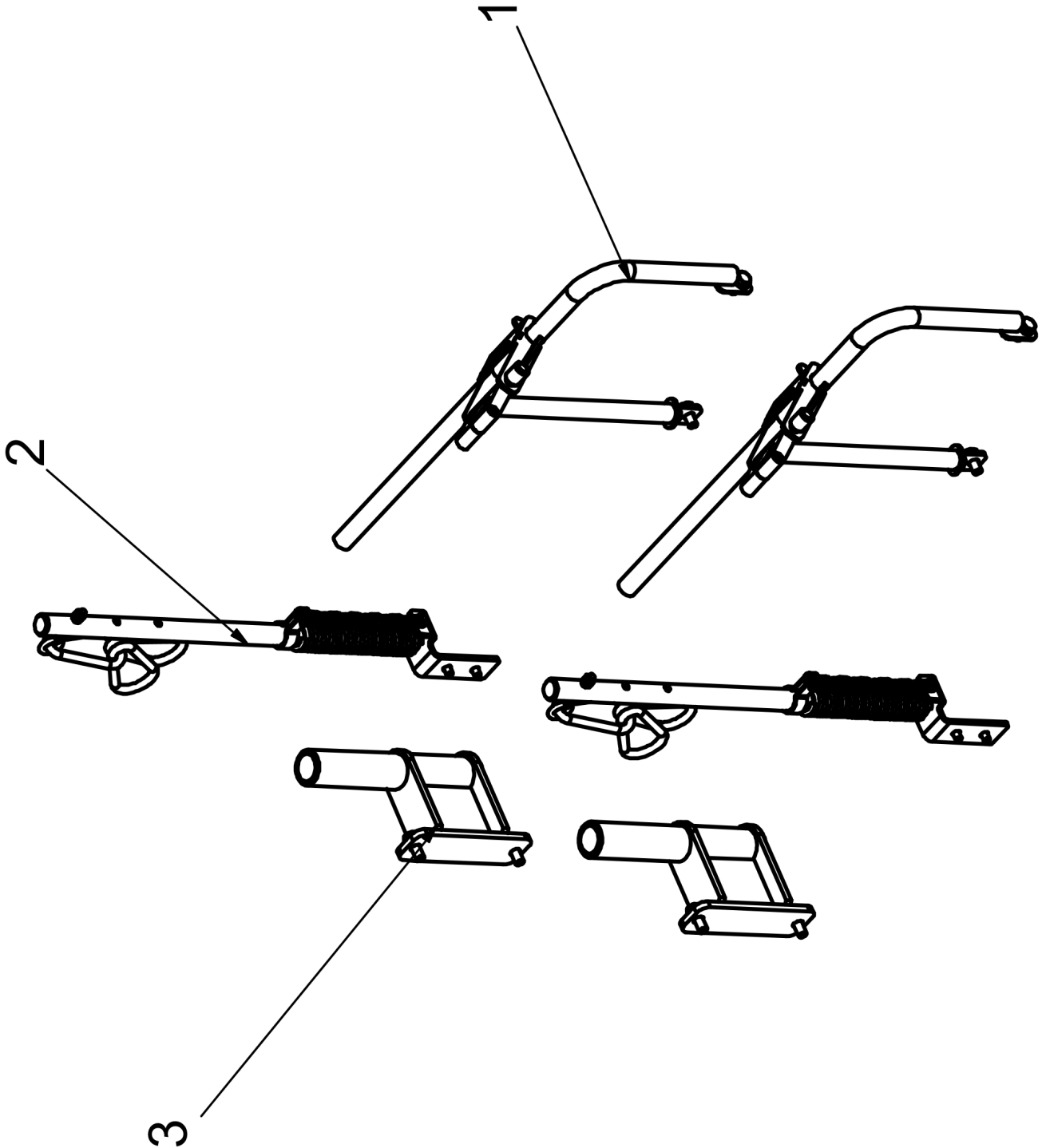
Item	Part No.	Name	Qty	L	SN INFO
1	4812248776	Tube weldment	1		
2	4812248777	Tube weldment	1		

Truck hitch 4812249308 Truck hitch hose kit

NO EXPLODED VIEW
AVAILABLE
FOR THIS BOM

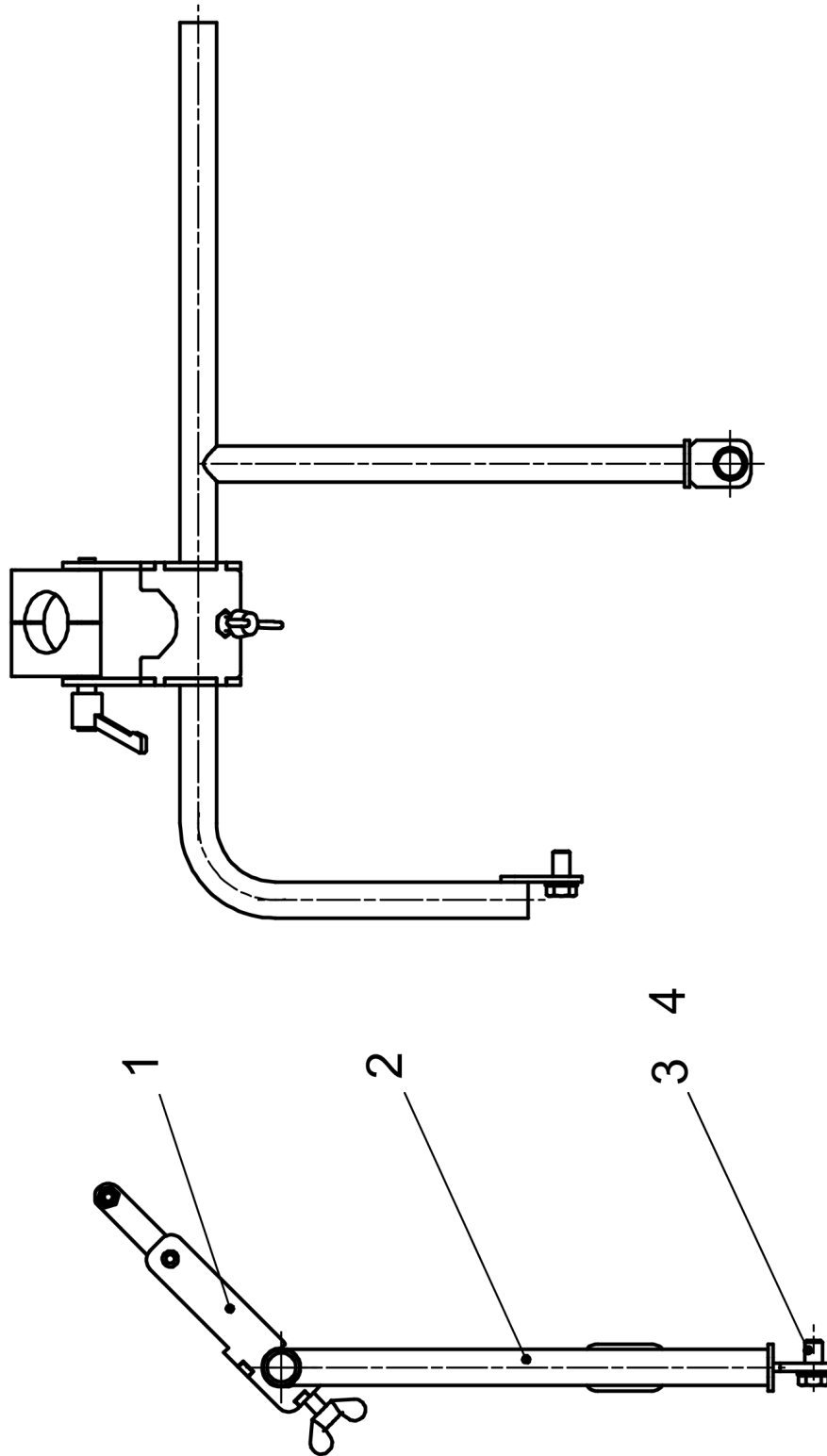
Item	Part No.	Name	Qty	L	SN INFO
1	4812249193	Hose	2		
2	4812249261	Hose	1		
3	4812249262	Hose	1		
4	4812203511	Hose	2		

AUS kit, option 4812204545 AUS kit option



Item	Part No.	Name	Qty	L	SN INFO
1	4812204432	Auger sensor mount assembly	2		
2	4812244624	AUS cable post assembly	2		
3	4812204518	Level sensor mount assembly	2		

AUS kit, option 4812204432 Auger sensor mount assembly

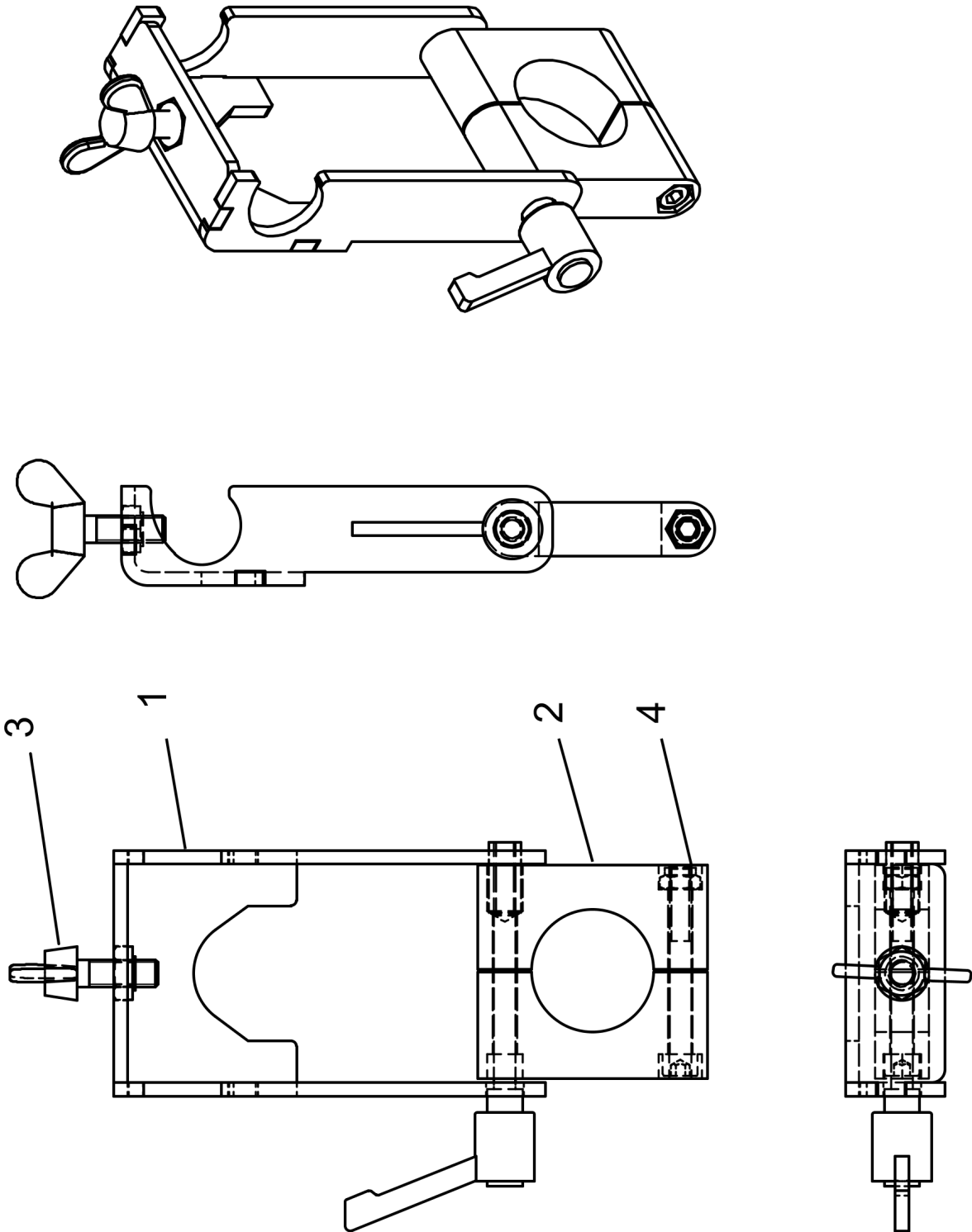


Refer to Parts Online for the most up to date information. The printed information might be outdated.

Wed Oct 21 02:02:13 MDT 2015

Item	Part No.	Name	Qty	L	SN INFO
1	4720006041	Sonormatic retainer	1		
2	4812204429	Auger sensor mount rail	1		
3	D717800750	Screw, 1/2"	2		
4	0301235800	Plain washer 13 x 24 x 2.5	2		

AUS kit, option 4720006041 Retainer

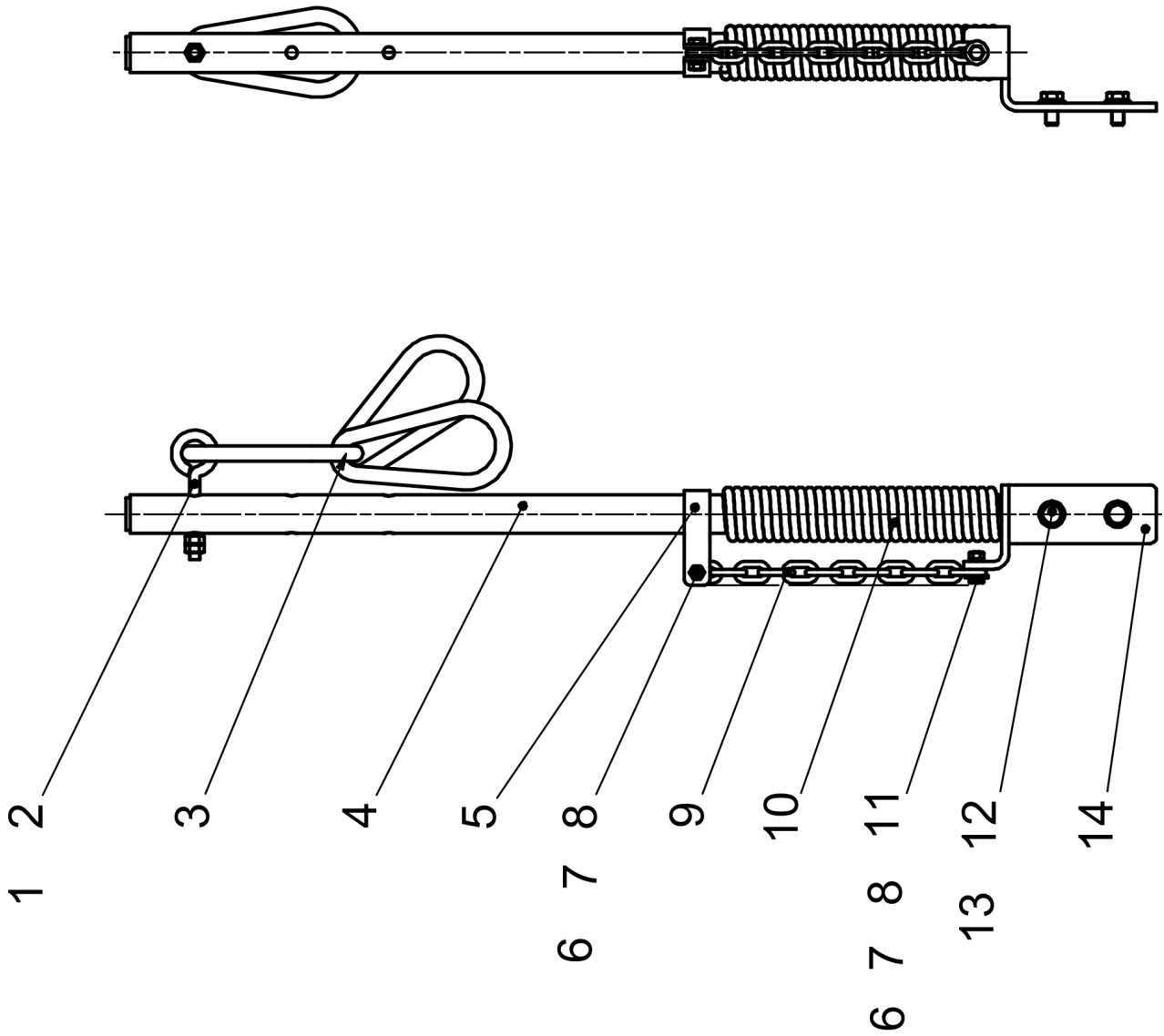


Refer to Parts Online for the most up to date information. The printed information might be outdated.

Wed Oct 21 02:02:14 MDT 2015

Item	Part No.	Name	Qty	L	SN INFO
1	4730012721	Support	1		
2	4730013408	Clamp	1		
3	0223195716	Butterfly screw	1		
4	0291111000	Locknut	1		

AUS kit, option 4812244624 AUS cable post assembly

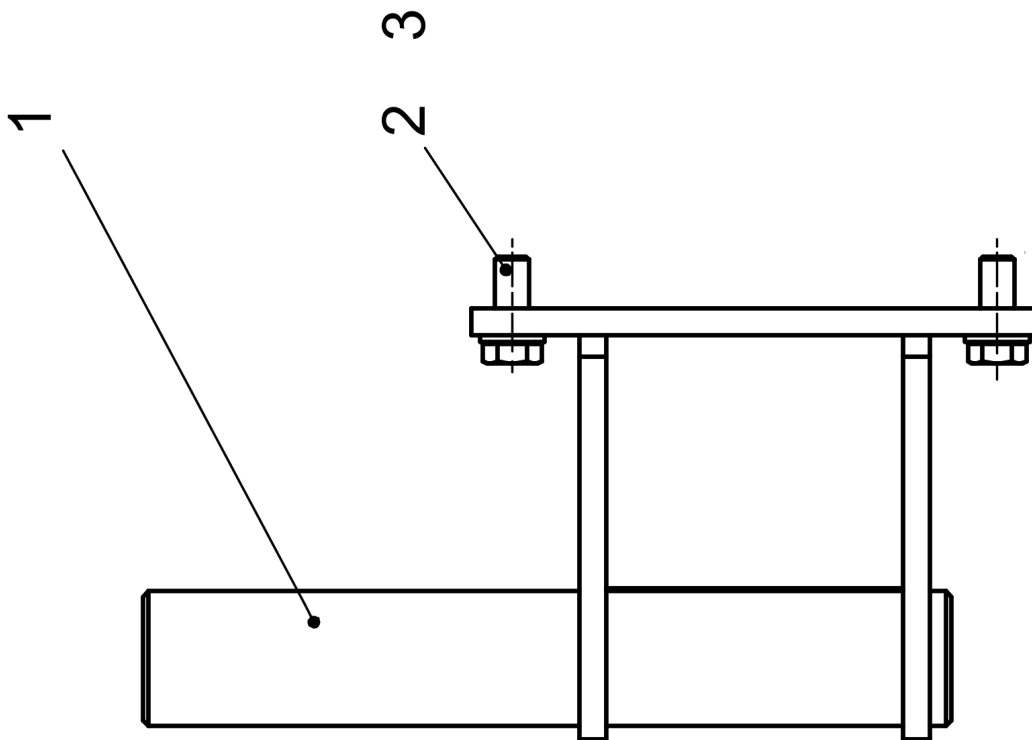
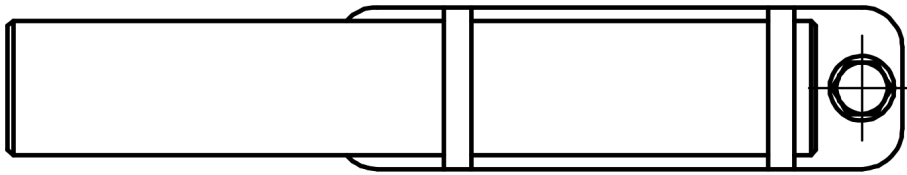


Refer to Parts Online for the most up to date information. The printed information might be outdated.

Wed Oct 21 02:02:14 MDT 2015

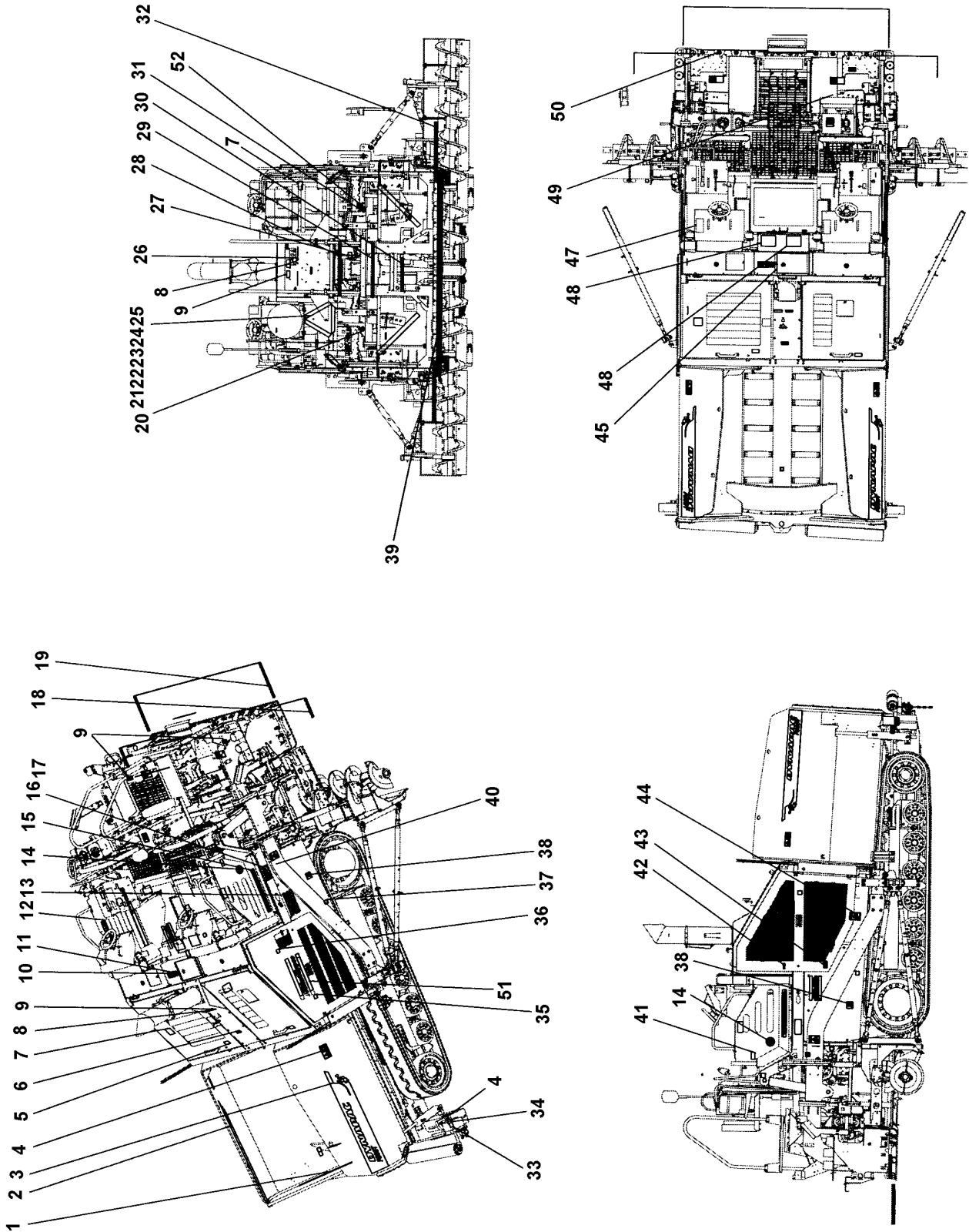
Item	Part No.	Name	Qty	L	SN INFO
1	4812244607	Bolt	1		
2	0266211000	Hexagon nut M8	2		
3	4812244606	Egg-shape spring hook	3		
4	4812244623	AUS cable post rob weldment	1		
5	4812244608	AUS cable post clip	1		
6	0147124703	Hex. head screw M6 x 20	2		
7	4812241086	Washer	2		
8	5730015118	Hexagon nut	2		
9	4812244616	Chain	1		
10	4812244620	AUS cable post spring	1		
11	0300013041	Flat washer	1		
12	D717800617	Screw, 3/8'	2		
13	0301234400	Plain washer M10.5/22	2		
14	4812244619	AUS cable post support	1		

AUS kit, option 4812204518 Level sensor mount assembly



Item	Part No.	Name	Qty	L	SN INFO
1	4812248185	Levelling sensor mount	1		
2	D717800743	Screw, 1/2'	2		
3	0301235800	Plain washer 13 x 24 x 2.5	2		

Accessories F800 Decals



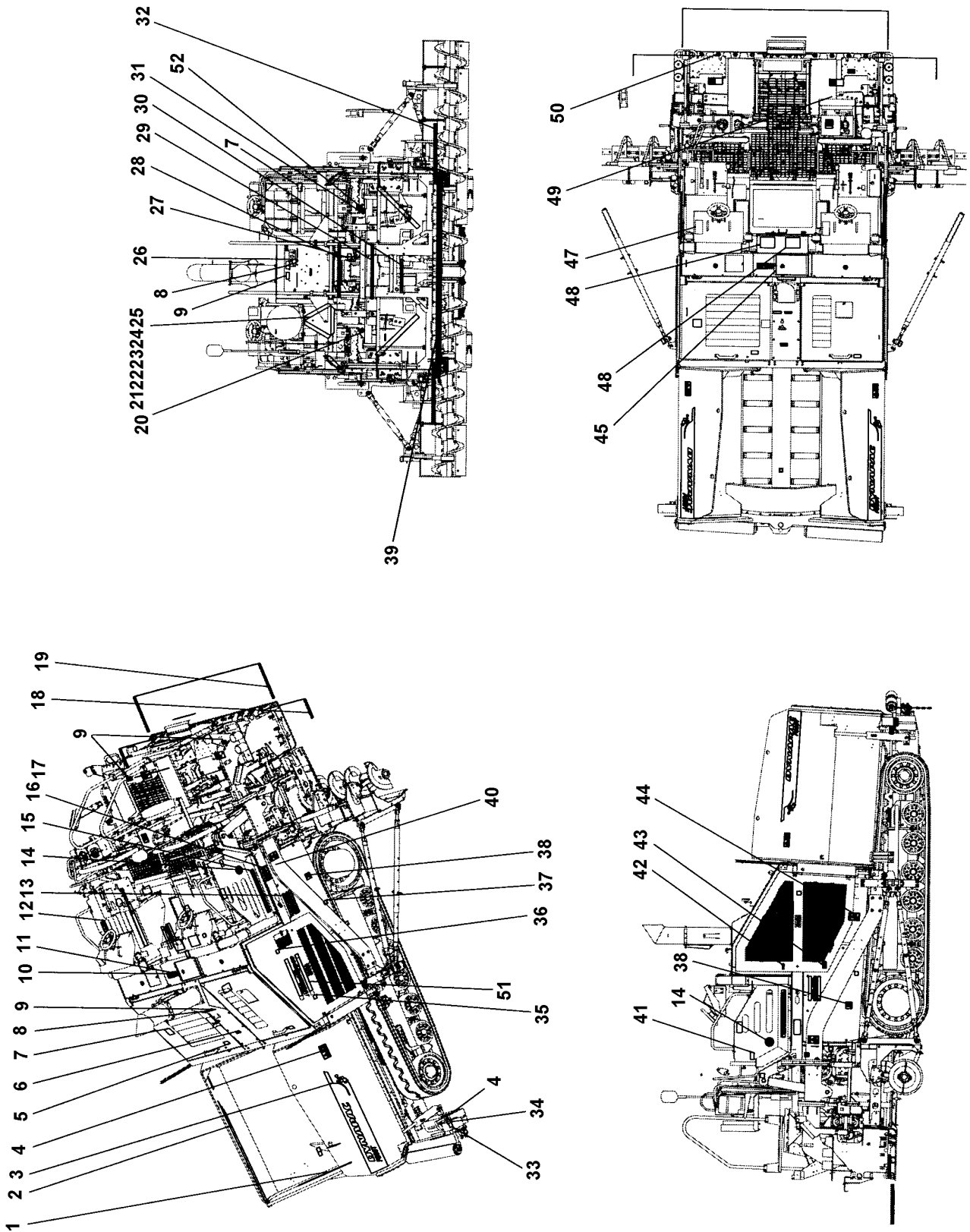
Refer to Parts Online for the most up to date information. The printed information might be outdated.

Wed Oct 21 02:02:17 MDT 2015

Item	Part No.	Name	Qty	L	SN INFO
1	D717410004	Tape, refl., hop. fish'g bolt'g plates	2		
2	4812245972	DYNAPAC decal, F800T RH	1		
3	4812245971	DYNAPAC decal, F800T LH	1		
4	4700903422	Safety decal "CRUSH AREA"	4		
5	4812036488	Prohibitive sign 'Open engine hood'	1		
6	4700791642	Decal "WARNING" Use of starting fluid prohib.	1		
7	4812247711	Antifreezing solution	1		
8	4812026147	Sign "Danger for health and environment"	1		
9	4700903424	Safety label, hot surfaces	5		
10	4700903459	Decal "SAFETY"	1		
11	4700281898	Label, use ear protectors	1		
12	4812220092	Decal, seat belt	2		
13	4812245973	Atlas Copco logo	2		
14	4812031690	Prohibitive sign 'Do not step on'	2		
15	D717410003	Tape, refl., op. station bot. tubes	1		
16	4812112874	Name plate with Atlas Copco logo	1		
17	4812241124	Rivet	4		
18	4812220082	Reflector strip	2		
19	4812220095	Reflector strip	2		
20	D717410028	Decal, left rear sensor plugs	1		
21	0147124703	Hex. head screw M6 x 20	2		
22	4812241086	Washer	2		
23	0301232100	Washer DIN125	4		
24	5730015118	Hexagon nut	2		
25	D717113043	Placard, slow moving	1		
26	D956052003	Prohibitive sign: Don't spray with water	1		
27	D455177804	Sign 'Release brake'	1		
28	4812220077	Reflector strip	1		
29	4812220078	Reflector strip	1		
30	4812220079	Reflector strip	1		
31	D717410027	Decal, right rear sensor plugs	1		
32	4812220081	Reflector strip	2		
33	4700357587	Label lifting point	4		
34	4700382751	Decal "SECURING POINT/TIE DOWN"	4		
35	4812043018	Sign 'Hydraulic oil drain'	1		
36	4812241304	Decal of hydraulic oil	1		
37	4812043019	Sign 'Fuel drain'	2		

Refer to Parts Online for the most up to date information. The printed information might be outdated.

Wed Oct 21 02:02:17 MDT 2015

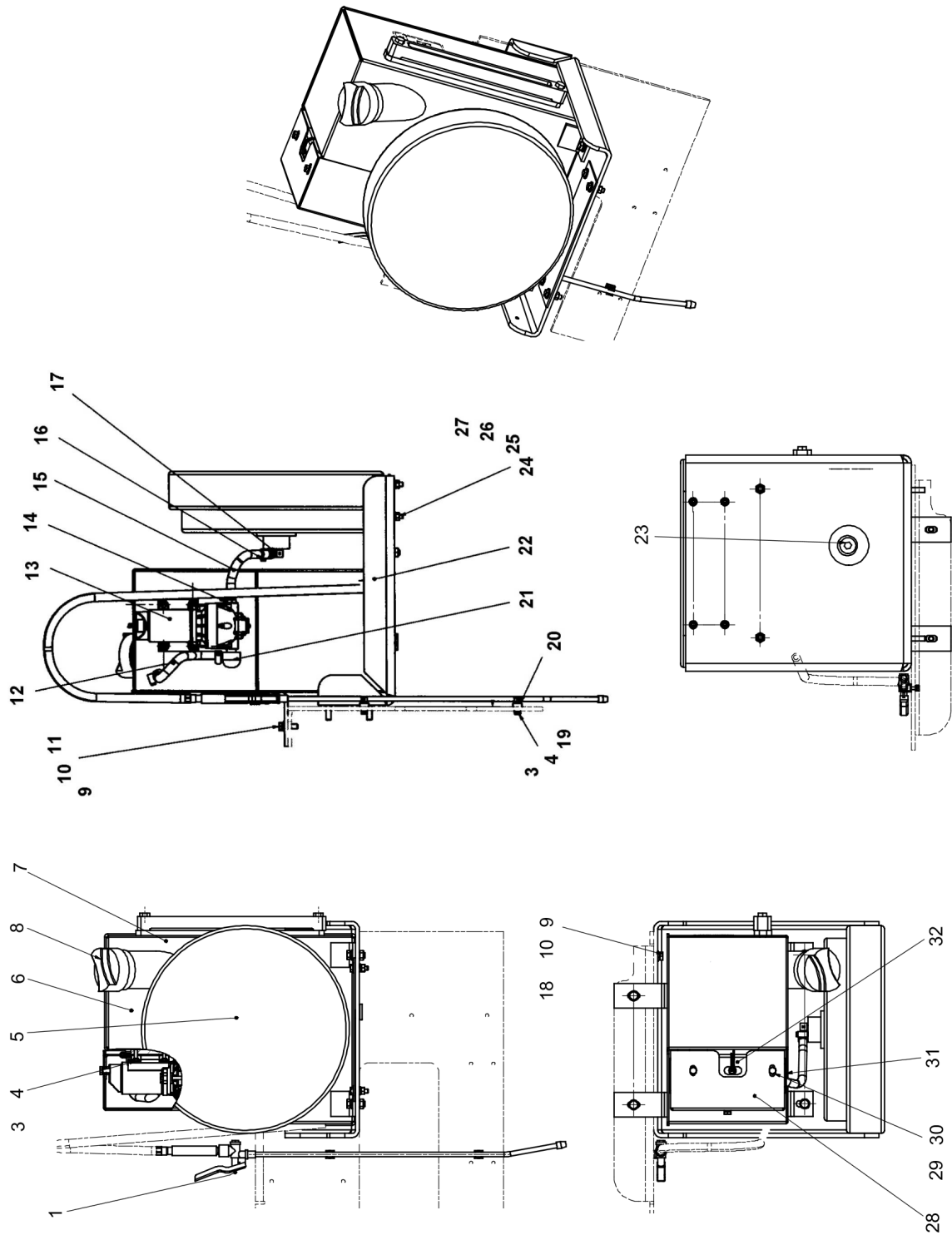


Refer to Parts Online for the most up to date information. The printed information might be outdated.

Wed Oct 21 02:02:18 MDT 2015

Item	Part No.	Name	Qty	L	SN INFO
38	4700991658	Decal "FUEL"	2		
39	4812220080	Reflector strip	2		
40	4812246063	Prohibit stand	2		
41	D956052005	Warning plate 100x100 mm	4		
42	4811000344	Decal, low sulfur	2		
43	4700903423	Safety label, Rotating engine components	1		
44	4812220097	Decal, high voltage	3		
45	4812246037	Decal, maintain	1		
46	4812025191	Note shield	1		
47	4812246064	No smoking	2		
48	4812025192	Warning sign 'Transport safety device'	1		
49	4812246087	Water tank	1		
50	4812246086	Caution auger	2		
51	4812246202	Atlas copco logo for F800	1		
52	4812247248	Screed hose connect decal	1		
53	D990000268	Sign "Battery switch"	1		
54	4812248773	Sound decal F800T	1		
55	4812248457	Engine oil drain decal	1		
56	4812248458	Gearbox drain decal	1		
57	4812204293	Insurance decal	1		

Accessories Wash down system



Refer to Parts Online for the most up to date information. The printed information might be outdated.

Wed Oct 21 02:02:19 MDT 2015

Item	Part No.	Name	Qty	L	SN INFO
1	D717909503	Spray wand	1		
3	4812241086	Washer	6		
4	0147124703	Hex. head screw M6 x 20	6		
5	4812246201	Water outtake pipe	1		
6	4812245707	Wash down tank body	1		
7	4812245723	Gauge	1		
8	4700373460	Filler cap	1		
9	0301234400	Plain washer M10.5/22	12		
10	4812240226	Washer	8		
11	0147136303	Hex. head screw	4		
12	4812245761	Hose	1		
13	4812245759	Water pump	1	A	
13	4812009831	Water pump	1	A	
14	4812245757	Fitting	1		
15	4812245762	Hose	1		
16	D717909516	Clamp, worm drive	4		
17	D717909518	Hose barb	1		
18	0147196264	Screw DIN933	4		
19	0301232100	Washer DIN125	2		
20	D953509710	Clip	2		
21	4812245758	Filter	1		
22	4812245716	Water tank bracket	1		
23	D961175211	Plug screw	1		
24	0266211000	Hexagon nut M8	4		
25	0301233500	Washer DIN125	4		
26	4812240307	Washer	4		
27	0147132603	Hex. head screw M8 x 30	4		
28	4812249462	Water pump cover	1		
29	4749901806	Washer	3		
30	0147132203	Hex. head screw M8 x 16	3		
31	4812245401	Sealing strip	220		
32	4812249465	Water pump cover-bracket	1		

Comments for Page: Wash down system

(L)OCAL REMARK

A | Use item 4812245759 from SN: 10002133T0C004413; use item 4812009831 from SN:

Accessories 4812243212 Manual kit

NO EXPLODED VIEW
AVAILABLE
FOR THIS BOM

Item	Part No.	Name	Qty	L	SN INFO
1	4812247561	Spare part catalogue F800, T4	1		
2	4812247562	Instruction manual full size	1		
3	4812247563	Instruction manual F800T T4F	1		
4	D717410059	Safety Manual, A5	1		
5	4812247552	Safety Manual, A5	1		
6	4812247564	CD manual	1		
7	4812243647	Engine T4F	0		
8	D717410115	Leveling System Ops Man, Topcon / Moba, A5	0		
9	4812247568	Screed 8' carlson	0		

Appendix B:Parts Index

0108142500	172	0147196069	144, 158, 160, 162, 164, 166, 168, 170, 228
0147110669	376	0147196101	176
0147110672	230	0147196180	54
0147110836	242, 260	0147196245	202
0147110904	168	0147196264	214, 230, 356, 502
0147110911	338	0147196394	90
0147110915	478	0147196424	144, 162
0147124403	62, 66, 98, 232, 384	0160099742	208
0147124603	60, 244, 262	0190124146	204
0147124703	52, 60, 212, 478, 494, 498, 502	0192136000	452, 454
0147124903	204	0196155317	172
0147125803	376	0211120803	418
0147132003	216	0211125003	212
0147132203	60, 72, 76, 214, 230, 266, 330, 502	0211125203	418
0147132303	52, 56, 60, 72, 76, 110, 186, 214, 230, 266, 376, 390	0211125603	330
0147132503	128, 134, 204, 216, 242	0211132203	60
0147132603	214, 452, 454, 502	0211132303	50, 72, 76, 118, 182, 258, 264, 266, 390, 436
0147133012	214	0211132603	182, 204, 418, 436
0147135903	230	0211132803	72, 76, 480
0147136003	54, 106, 114, 116, 150, 202, 208, 242, 260, 266, 346	0211132903	202, 416
0147136203	50, 68, 98, 266, 376, 416, 456	0211136203	174, 358
0147136303	52, 98, 214, 232, 362, 374, 376, 502	0211136403	480
0147136403	50, 90, 98, 340, 342	0211136903	52
0147136503	478	0211137503	98
0147136703	168	0211140103	332
0147136712	230, 452, 454	0211140403	322
0147136812	214	0211147603	480
0147136912	54	0211148103	52
0147137303	94, 96	0211196392	366
0147137912	94, 96	0211196498	330
0147140003	50, 68, 212, 330, 362	0211220554	274
0147140103	54, 162, 214, 216, 326	0215000613	376
0147140203	50, 198, 268, 332	0215000621	118
0147140603	320	0215001059	94, 96
0147141003	384	0215001064	60, 74
0147141112	144, 168	0215001072	72, 76, 78, 80, 82, 110
0147143803	50	0215001085	56
0147147503	452, 454	0216110011	480
0147147603	52, 188, 258, 264, 452, 454	0216110016	158, 160, 164, 166, 452, 454
0147147703	52, 114, 174	0216110056	452, 454
0147147803	428	0216110059	22, 88, 122
0147147903	16, 90, 172, 198, 202	0216195726	480
0147149103	22, 32, 34, 36, 122, 180, 194, 196, 466, 470	0216195761	54
0147155103	172	0216195773	178, 182, 244, 262, 452, 454
0147155203	478	0216195783	478
0147163603	42	0223195716	492
0147195877	54	0226991529	62, 66
0147195899	16, 36, 180, 198	0261109153	208
		0261109160	62, 66
		0261211400	478
		0266113801	94, 96

0266211000	72, 76, 204, 214, 230, 344, 390, 416, 494, 502	4700357587	498
0266211100	50, 190, 192, 208, 228, 230, 330, 356, 362, 416, 438, 440, 448	4700372586	54
0266211200	50, 68, 204	4700373460	502
0266211400	202	4700379637	204
0266211600	478	4700382751	498
0277131100	56	4700394701	54
0291111000	376, 492	4700396601	324
0291111200	204, 384	4700791212	344
0291112818	378	4700791213	318, 322
0291112820	172	4700791230	318
0291112822	52, 168, 170	4700791231	318, 332, 370
0291112828	202	4700791318	318
0291112854	62, 66, 376	4700791321	326
0291112862	228	4700791402	362
0291118503	68, 72, 74, 76, 78, 80, 82	4700791403	342, 362, 458
0291118549	20, 90, 94, 96, 198, 214, 228, 230, 330	4700791410	272, 362
0291118802	62, 66	4700791414	140, 362, 412
0300013026	244, 262	4700791539	318
0300013038	50, 202, 230	4700791540	326
0300013040	60, 72, 76, 110, 214, 230, 242, 262	4700791541	246, 320
0300013041	494	4700791642	498
0300013042	144, 162, 168, 268	4700791709	54
0300027413	478	4700791744	84, 156, 174, 272, 358, 362, 366, 370, 452, 454, 458, 480
0301232100	52, 60, 62, 66, 212, 232, 376, 478, 498, 502	4700791745	340, 342, 362
0301233500	50, 60, 186, 202, 204, 214, 230, 258, 264, 338, 344, 376, 416, 502	4700791798	340, 342
0301234400	50, 56, 98, 114, 150, 172, 190, 192, 230, 266, 330, 340, 342, 346, 356, 358, 362, 370, 374, 376, 402, 438, 440, 448, 478, 494, 502	4700791823	318, 322, 328, 340, 342, 358, 362, 366, 370
0301235800	52, 98, 114, 144, 158, 160, 162, 164, 166, 168, 170, 266, 330, 362, 384, 490, 496	4700791828	84, 136, 140, 338, 358, 362, 412
0301237800	16, 114, 122, 428, 480	4700791830	346
0302127405	230	4700791838	318, 328
0333310024	274	4700791840	102, 412
0333310042	28, 30, 32, 34, 36, 180, 194, 196, 430, 432, 434, 442, 444, 446, 466, 470	4700791846	358
0333310043	216	4700791850	340, 342
0333310045	98	4700791914	148, 318, 322, 344, 358, 362, 366
0335113600	98	4700792133	272, 362
147132203	84	4700792170	346, 412, 416, 458
147132303	410	4700792299	318, 370
147133403	84	4700792334	156, 412, 452, 454
147163603	84	4700792338	362
215001063	84	4700792339	318, 344, 362
291111000	84	4700792343	150
301233500	84	4700792526	266
3370044501	190, 192, 438, 440, 448, 452, 454	4700792584	48
4700281898	498	4700792603	266
4700343775	204	4700792699	336
4700348331	204	4700792700	336
		4700792701	336
		4700792823	340, 342, 482
		4700902866	40
		4700903422	498
		4700903423	500
		4700903424	498

4700903459	498	4812032461	60
4700903953	68	4812032462	60
4700904234	242, 254, 260	4812032847	72, 76
4700904493	318	4812033146	62, 66
4700904495	356	4812033152	62, 66
4700904496	362	4812034685	72, 76
4700904580	346	4812034975	230, 244, 260, 266
4700904639	384	4812035681	214
4700904728	320	4812035682	230
4700921028	244, 262	4812036488	498
4700921161	410	4812037382	410
4700991658	500	4812039248	50
4720006041	490	4812039250	50
4730012721	492	4812040668	50
4730013408	492	4812040894	122, 182, 436
4730014772	202	4812041189	174
4730767199	228	4812041191	184
4732512399	22, 116	4812041413	62, 66
4747400034	116, 120, 122	4812042807	98
4749001598	330	4812043018	498
4749220238	50	4812043019	498
4749301479	108, 110, 112, 390	4812043214	174, 180, 430, 446
4749302004	72, 76	4812045878	242, 254, 260
4749302758	50	4812112555	318
4749900349	84, 132	4812112874	498
4749900538	452, 454	4812113110	318, 346, 362, 366, 458
4749900615	122	4812114189	270, 340, 342, 344
4749901556	28, 30, 32, 34, 36, 180, 194, 196, 430, 432, 434, 442, 444, 446, 466, 470	4812116050	242, 262
4749901599	150	4812119085	212
4749901806	52, 72, 76, 94, 96, 212, 502	4812157075	324
4749901807	50, 68, 106, 452, 454	4812200009	18
4749901808	124	4812200078	274
4749901809	172, 188	4812200085	388
4749901853	172, 244, 262, 452, 454	4812200086	388
4749901860	52, 212	4812200196	426
4811000344	500	4812200229	384
4812001406	84	4812200230	384
4812009831	502	4812200315	410
4812025191	500	4812200323	356
4812025192	500	4812200398	318, 340, 342, 348, 358, 362, 370
4812025391	228	4812200419	232
4812026010	94, 96	4812200436	274
4812026147	498	4812200447	266
4812029437	98	4812200448	266
4812030271	132	4812200449	266
4812030272	132	4812203040	174
4812031296	94, 96	4812203041	174
4812031690	498	4812203211	32, 34, 194, 196, 466, 470
4812032246	72, 76	4812203324	196
4812032250	72, 76	4812203325	194
		4812203334	480

4812203402	478	4812220077	42, 498
4812203481	244, 262	4812220078	42, 498
4812203511	486	4812220079	42, 498
4812203528	452	4812220080	42, 500
4812203531	454	4812220081	42, 498
4812203535	452, 454	4812220082	42, 498
4812203743	456	4812220092	498
4812203745	452, 454	4812220095	42, 498
4812203836	104	4812220097	42, 500
4812203838	104	4812220142	332
4812203839	98	4812220143	330
4812203840	104	4812220644	212
4812203897	210	4812220702	394, 398
4812204081	68, 72, 74, 76, 78, 80, 82	4812220715	228
4812204121	54	4812220725	380
4812204122	54	4812220726	382
4812204129	144	4812220727	382
4812204171	318	4812220728	382
4812204190	144, 168	4812220734	330
4812204208	350	4812220748	356
4812204293	500	4812220749	2, 6, 8, 356
4812204322	54	4812220770	330
4812204339	144	4812220771	2, 6, 8, 334
4812204344	162	4812220780	330
4812204414	62, 66	4812220864	270
4812204420	62, 76, 82	4812220881	230
4812204429	490	4812220896	212
4812204432	488	4812220919	4, 6, 8, 218
4812204434	62, 76, 82	4812220920	8
4812204447	404	4812220921	4, 6, 8, 224
4812204449	378	4812220922	4, 6, 8, 224
4812204457	244, 262	4812220956	232
4812204470	332	4812220957	232
4812204472	336	4812220958	394, 398
4812204500	52	4812220973	230
4812204512	378	4812220979	44, 404
4812204515	94, 96	4812221070	44, 404
4812204518	488	4812221201	332
4812204537	398	4812221582	378
4812204544	406	4812221656	212
4812204550	398	4812221856	228
4812204552	394	4812222043	218
4812204563	464, 474	4812222170	382
4812204580	468, 476	4812222171	394, 398
4812204606	394	4812222172	394, 398
4812204611	394, 398	4812222186	394, 398
4812204628	162	4812222206	396, 400
4812204629	162	4812222214	394, 398
4812204643	54	4812222241	394
4812204649	358	4812222410	278
4812204650	358	4812222411	278

4812222412	278	4812222470	278
4812222413	278	4812222471	280
4812222414	278	4812222472	280
4812222416	278	4812222473	280
4812222417	278	4812222474	280
4812222418	278	4812222475	280
4812222420	278	4812222476	280
4812222422	278	4812222487	280
4812222423	278	4812222519	274
4812222424	278	4812222542	278
4812222426	278	4812222543	280
4812222427	278	4812222578	392
4812222428	278	4812222579	392
4812222429	278	4812223120	88
4812222430	278	4812223125	242, 260
4812222431	278	4812223128	244, 262
4812222432	278	4812223129	244, 262
4812222433	278	4812223131	242, 260
4812222434	278	4812223132	244, 262
4812222435	278	4812223133	244, 260
4812222436	278	4812223138	242, 260
4812222437	278	4812223141	242, 260
4812222438	278	4812223144	242, 254, 260
4812222439	278	4812223152	244, 262
4812222440	278	4812223153	244, 262
4812222441	278	4812223204	266
4812222442	278	4812223208	266
4812222444	280	4812223255	50
4812222445	280	4812223275	204
4812222446	280	4812223284	212, 228, 242, 260, 358
4812222447	280	4812223285	242, 262
4812222448	280	4812223289	252
4812222449	280	4812223292	242, 262
4812222450	280	4812223293	204
4812222451	280	4812223294	190, 192
4812222452	280	4812223295	330
4812222453	280	4812223296	242, 260
4812222454	280	4812223297	204
4812222455	280	4812223298	246
4812222456	280	4812223301	252
4812222457	280	4812223435	244, 260
4812222458	280	4812223436	84, 244, 260
4812222459	280	4812223440	212
4812222460	280	4812223444	212
4812222461	280	4812223500	212, 244, 262
4812222464	278	4812223501	16, 114
4812222465	278	4812223505	410
4812222466	278	4812223608	376
4812222467	278	4812223825	390
4812222468	278	4812223834	172
4812222469	278	4812223878	50, 272

4812223879	20, 198, 362	4812240313	182
4812223893	22, 122	4812240314	182
4812223894	22, 122	4812240315	182
4812223899	116	4812240316	182
4812223903	116	4812240392	182
4812223906	116	4812240437	52
4812223914	124	4812240469	118, 418
4812223916	22, 116	4812240526	172
4812223935	16, 114	4812240569	266
4812223943	128, 134	4812240631	270
4812223944	130	4812240632	210
4812223946	128, 134	4812240633	124, 174, 244, 262, 274
4812223951	126, 132, 480	4812240634	268
4812223953	126, 132, 480	4812240640	384
4812223954	128, 134	4812240678	216
4812223965	330	4812240694	478
4812223968	126, 132, 480	4812240793	52, 168, 170, 204
4812223998	16, 114	4812240808	242, 260
4812223999	16, 114	4812240859	68
4812224146	88	4812241041	72, 76, 78, 82
4812224147	88	4812241086	60, 118, 204, 212, 418, 494, 498, 502
4812224697	226, 318	4812241113	52
4812240067	152, 154	4812241124	498
4812240074	16, 22, 114, 122, 428	4812241125	242, 254, 260
4812240135	182, 436	4812241157	266
4812240137	52	4812241158	268
4812240170	22, 24, 122	4812241179	114
4812240177	182, 436	4812241222	204
4812240178	182, 436	4812241304	498
4812240180	130	4812241556	322
4812240197	114, 176, 204, 268, 320, 322, 362	4812241562	318, 322
4812240226	62, 114, 172, 190, 192, 230, 266, 362, 374, 438, 440, 448, 478, 502	4812241713	418
4812240233	478	4812241714	418
4812240234	182, 436, 478	4812241726	214
4812240235	478	4812241744	118
4812240246	478	4812241758	330
4812240287	172	4812242270	242, 260
4812240289	478	4812242531	330
4812240299	172	4812242536	338
4812240300	172	4812242584	338
4812240301	172	4812242606	244, 260
4812240302	172	4812242627	22, 122
4812240303	172	4812242654	22, 122
4812240304	172, 428	4812242700	222
4812240307	50, 60, 118, 182, 186, 204, 214, 244, 262, 266, 344, 366, 378, 416, 418, 436, 502	4812243043	218
4812240308	182	4812243053	2, 4, 6, 8, 218
4812240309	182	4812243054	2, 4, 6, 8, 218
4812240310	182	4812243135	214
4812240312	182	4812243136	212
		4812243198	242
		4812243213	212

4812243214	218	4812243624	274
4812243215	218	4812243626	326
4812243279	240	4812243647	504
4812243318	126	4812243651	210
4812243325	46, 242	4812243669	230
4812243326	242, 260	4812243710	190, 192
4812243327	46, 254	4812243839	418
4812243330	244, 260	4812243865	52
4812243332	254	4812243959	270
4812243334	242, 260	4812243960	330
4812243335	256	4812243994	178
4812243336	46, 242, 260	4812244034	270
4812243342	330	4812244118	274
4812243352	242, 260	4812244145	322
4812243353	246	4812244171	376
4812243362	244	4812244174	46, 262
4812243381	242, 260	4812244211	132
4812243382	240	4812244348	126, 132, 480
4812243398	326	4812244370	410
4812243406	244	4812244371	410
4812243408	244, 262	4812244441	202
4812243415	270	4812244442	416
4812243420	260	4812244450	318
4812243432	262	4812244451	318
4812243433	260	4812244452	172
4812243445	84	4812244486	376
4812243446	36, 180	4812244493	84
4812243447	36, 180	4812244605	174
4812243454	222	4812244606	494
4812243455	222	4812244607	494
4812243459	212	4812244608	494
4812243496	178	4812244616	494
4812243497	176	4812244619	494
4812243498	172	4812244620	494
4812243499	176	4812244623	494
4812243505	176	4812244624	488
4812243523	212	4812244646	140, 148
4812243526	172	4812244656	270
4812243527	172	4812244667	270
4812243546	212	4812244668	230
4812243550	128	4812244684	270
4812243552	132	4812244687	50
4812243573	212	4812244689	270
4812243579	418	4812244690	356
4812243581	118, 418	4812244694	230
4812243586	240	4812244696	230
4812243588	252	4812244700	230
4812243590	252	4812244704	230
4812243607	320	4812244714	230
4812243622	322	4812244716	230
4812243623	274	4812244717	230

4812244730	230	4812245102	214
4812244732	230	4812245115	212
4812244840	230	4812245134	98
4812244841	230	4812245135	98
4812244854	148, 358, 362, 366, 480	4812245136	98
4812244869	270	4812245137	98
4812244885	378	4812245138	98
4812244892	340, 342	4812245140	98
4812244898	230	4812245141	98
4812244900	270	4812245142	98
4812244901	344	4812245148	214
4812244932	270	4812245149	98
4812244945	212	4812245153	68
4812244950	106	4812245154	80
4812244951	108	4812245156	98
4812244952	106	4812245157	98
4812244953	110	4812245158	98
4812244954	106	4812245166	68
4812244955	112	4812245167	82
4812244956	214	4812245169	144, 162
4812244959	214	4812245170	98
4812244963	214	4812245172	144
4812244965	214	4812245173	144
4812244968	214	4812245186	168, 170
4812244972	214	4812245204	68
4812244977	214	4812245205	76
4812244978	212	4812245216	330
4812244982	212	4812245222	68
4812244990	138	4812245224	72
4812245006	138	4812245232	68
4812245007	270	4812245233	74
4812245008	270	4812245244	68
4812245013	106	4812245252	228
4812245017	84	4812245253	68
4812245030	320, 346	4812245254	228
4812245031	390	4812245265	228
4812245036	330	4812245267	158, 160, 164, 166
4812245039	330	4812245269	158, 160, 164, 166
4812245042	330	4812245270	228
4812245044	106	4812245271	158, 160, 164, 166
4812245046	106	4812245272	160, 164
4812245049	16, 198	4812245280	158, 166
4812245051	20, 198	4812245282	228
4812245057	346	4812245291	68
4812245063	270	4812245292	228
4812245064	16, 198	4812245296	228
4812245078	318	4812245299	68
4812245093	68	4812245300	16, 198
4812245094	78	4812245302	68
4812245099	330	4812245312	228
4812245101	330	4812245313	68

4812245318	228	4812245420	14, 122
4812245324	210	4812245421	268
4812245329	330	4812245422	266
4812245330	330	4812245423	266
4812245331	330	4812245424	266
4812245332	330	4812245426	266
4812245333	332, 340, 342	4812245428	266
4812245334	332	4812245429	266
4812245335	332	4812245438	22, 24, 122
4812245337	330	4812245439	274
4812245338	108	4812245446	340, 342
4812245339	330	4812245447	318
4812245343	20, 26, 198	4812245448	318
4812245344	106	4812245461	122
4812245350	114	4812245466	272, 344
4812245351	132	4812245480	212
4812245354	116	4812245481	122
4812245363	116	4812245485	210
4812245370	18, 114	4812245488	390
4812245380	18	4812245490	118
4812245382	14, 120	4812245491	118
4812245383	18	4812245493	118
4812245384	72, 76	4812245495	118
4812245385	72, 76	4812245496	118
4812245387	72, 76	4812245499	114
4812245388	74	4812245509	108
4812245389	72	4812245513	14, 120
4812245391	72	4812245520	214
4812245392	78	4812245559	84
4812245393	80	4812245564	418
4812245394	82	4812245565	418
4812245395	108	4812245566	418
4812245396	108	4812245567	418
4812245397	110	4812245568	418
4812245398	112	4812245569	418
4812245399	18	4812245570	418
4812245401	62, 78, 80, 82, 208, 390, 502	4812245574	398
4812245402	114	4812245575	410
4812245403	20, 198	4812245580	410
4812245404	20, 198	4812245583	204
4812245405	126, 480	4812245588	410
4812245406	108	4812245595	204
4812245407	110	4812245597	204
4812245408	112	4812245602	204
4812245413	268	4812245603	204
4812245414	266	4812245609	204
4812245415	120	4812245616	410
4812245416	266	4812245621	60
4812245417	268	4812245624	204
4812245418	268	4812245627	110
4812245419	268	4812245634	60

4812245635	208	4812245861	52
4812245646	56	4812245862	52
4812245654	270	4812245863	52
4812245655	348	4812245864	52
4812245662	376	4812245865	52
4812245672	396	4812245867	50
4812245674	398	4812245869	52
4812245676	376	4812245872	50
4812245682	404	4812245874	50
4812245683	404	4812245879	232
4812245684	404	4812245881	50
4812245685	404	4812245882	232
4812245687	404	4812245893	222
4812245689	404	4812245894	222
4812245690	404	4812245895	222
4812245691	404	4812245897	222
4812245692	404	4812245899	222
4812245693	404	4812245900	222
4812245694	404	4812245944	376
4812245695	404	4812245945	402
4812245696	230	4812245946	402
4812245701	404	4812245956	402
4812245702	404	4812245971	498
4812245704	404	4812245972	498
4812245705	60	4812245973	498
4812245707	502	4812245983	56
4812245712	404	4812245984	56
4812245716	502	4812246010	98
4812245718	60	4812246011	144, 162
4812245722	242, 260	4812246037	500
4812245723	502	4812246038	22, 24, 122
4812245724	242, 260	4812246044	114
4812245727	56	4812246055	114
4812245728	376	4812246056	114
4812245729	376	4812246062	114
4812245731	382	4812246063	500
4812245737	376	4812246064	500
4812245738	50	4812246065	146
4812245757	502	4812246070	30, 32, 34, 430, 434
4812245758	502	4812246071	30, 32, 34, 442, 446
4812245759	502	4812246086	500
4812245761	502	4812246087	500
4812245762	502	4812246109	350
4812245765	50	4812246110	350
4812245767	120	4812246112	350
4812245852	46, 254	4812246113	350
4812245854	50	4812246114	350
4812245855	52	4812246117	350
4812245856	52	4812246118	350
4812245857	52	4812246119	350
4812245858	50	4812246121	350

4812246128	458	4812246274	84
4812246129	350	4812246275	84
4812246130	350	4812246282	84
4812246132	350	4812246283	182, 436
4812246133	350	4812246286	182, 436
4812246135	350, 458	4812246299	182, 436
4812246136	350	4812246300	182, 436
4812246137	350, 412	4812246301	182, 436
4812246138	350	4812246302	182, 436
4812246140	458	4812246303	182, 436
4812246141	350	4812246326	60
4812246142	458	4812246362	10, 12, 168, 170
4812246143	350	4812246363	12, 170
4812246144	350	4812246369	12, 170
4812246145	350	4812246388	168, 170
4812246146	412	4812246396	10, 12, 168, 170
4812246148	352	4812246397	172
4812246149	352	4812246398	418
4812246151	352	4812246417	458
4812246152	352	4812246442	52
4812246153	352	4812246447	204
4812246154	352	4812246449	204
4812246155	352	4812246450	54
4812246156	352	4812246457	354
4812246159	352	4812246458	352
4812246160	352	4812246462	138
4812246162	352	4812246463	350
4812246163	352	4812246470	56
4812246164	352	4812246471	132
4812246166	352	4812246473	144, 162
4812246167	352	4812246474	450
4812246168	352	4812246476	138, 482
4812246169	352	4812246477	146
4812246170	352	4812246479	148
4812246174	352	4812246489	158, 160, 164, 166
4812246175	352	4812246513	36, 172
4812246177	352	4812246519	106
4812246183	352	4812246569	214
4812246188	352	4812246570	404
4812246189	354	4812246590	410
4812246191	138, 354	4812246591	410
4812246192	354	4812246638	94, 96
4812246194	354	4812246651	214
4812246195	354	4812246652	456
4812246199	62	4812246657	10, 168
4812246200	208	4812246658	10, 168
4812246201	502	4812246659	158, 160
4812246202	500	4812246660	144
4812246229	186	4812246661	54
4812246230	174	4812246671	356
4812246257	56	4812246677	404

4812246698	16, 198	4812246939	84
4812246699	16, 198	4812246942	66
4812246700	382	4812246943	204
4812246701	16, 198	4812246948	152, 154
4812246702	396, 400	4812246950	152, 154
4812246712	124	4812246956	62
4812246713	450	4812246964	60
4812246714	450	4812246965	62
4812246717	188	4812246979	62
4812246718	188	4812246982	62
4812246719	172	4812246984	62, 66
4812246720	172	4812246986	62
4812246725	190	4812246989	60
4812246726	192	4812246991	60
4812246730	190, 192, 452, 454	4812246999	438, 440
4812246732	172, 190, 192	4812247008	362
4812246746	262	4812247009	412
4812246747	264	4812247011	358
4812246754	244	4812247012	366
4812246755	258	4812247014	370
4812246756	258, 264	4812247023	66
4812246770	380, 394, 398	4812247031	60
4812246777	394, 398	4812247033	270
4812246786	394	4812247038	60
4812246798	362	4812247039	60
4812246800	362	4812247040	60
4812246805	108	4812247042	60
4812246806	108	4812247044	60
4812246818	112	4812247049	60
4812246819	112	4812247050	54
4812246820	112	4812247053	182
4812246847	144, 162	4812247058	172
4812246848	144, 162	4812247059	266
4812246849	152	4812247060	270
4812246850	154	4812247061	270
4812246863	82	4812247062	270
4812246882	214	4812247063	270
4812246887	226	4812247066	28, 30, 32, 34, 430, 432, 434, 442, 444, 446
4812246888	214	4812247067	318, 340, 342, 366
4812246891	132	4812247068	430, 446
4812246892	134	4812247069	28, 30, 432, 444
4812246922	204	4812247073	266
4812246924	204	4812247075	266
4812246926	204	4812247083	374
4812246930	204	4812247085	374
4812246933	350	4812247086	270
4812246934	352	4812247098	380
4812246935	42, 354	4812247101	436
4812246936	42, 354	4812247102	434, 442
4812246937	42, 354	4812247103	428
4812246938	42, 354	4812247104	428

4812247105	428	4812247790	422
4812247106	428	4812247792	422
4812247107	428, 464, 474	4812247793	422
4812247108	428, 468, 476	4812247794	422
4812247116	448	4812247795	422
4812247120	378	4812247796	422
4812247133	412	4812247797	422
4812247248	500	4812247798	422
4812247275	380	4812247799	422
4812247293	382	4812247800	422
4812247299	376	4812247801	422
4812247323	50	4812247802	422
4812247330	202	4812247806	232
4812247338	202	4812247808	232
4812247339	202	4812247809	232
4812247428	274	4812247811	232
4812247435	54	4812247812	232
4812247450	266	4812247815	232
4812247539	168	4812247872	98
4812247546	42, 84	4812247882	28, 30, 36, 180, 432
4812247551	390	4812247883	28, 30, 36, 180, 444
4812247552	504	4812247898	146
4812247557	244, 262	4812247899	146
4812247558	390	4812247918	98
4812247559	390	4812247921	138
4812247560	390	4812247922	352
4812247561	504	4812247923	350
4812247562	504	4812247924	350
4812247563	504	4812247925	350
4812247564	504	4812247926	350
4812247568	504	4812247927	54
4812247573	168	4812247947	54
4812247599	216, 228	4812247974	350
4812247614	168	4812247975	350
4812247676	216	4812247981	146
4812247711	498	4812247982	146
4812247714	54	4812247983	350
4812247718	378	4812247984	350
4812247742	378	4812247985	352
4812247743	350	4812247986	352
4812247744	350	4812247987	350
4812247745	350	4812247989	116
4812247747	350	4812247990	116
4812247749	352	4812247996	22
4812247750	138	4812248002	54
4812247751	352	4812248015	318
4812247752	352	4812248046	318
4812247753	352	4812248051	150
4812247755	352	4812248053	172
4812247757	352	4812248090	270
4812247758	352	4812248091	332

4812248115	74	4812248543	72
4812248127	346	4812248544	74
4812248131	346	4812248550	108
4812248132	346	4812248551	108
4812248133	346	4812248564	54
4812248140	50	4812248581	60
4812248141	52	4812248608	92
4812248145	54	4812248609	92
4812248146	376	4812248613	242, 260
4812248176	204	4812248622	96
4812248179	76	4812248626	94
4812248185	42, 410, 496	4812248627	96
4812248197	84	4812248628	94
4812248242	214	4812248630	94, 96
4812248243	214	4812248631	84
4812248266	412	4812248644	68
4812248322	416	4812248646	68
4812248323	416	4812248647	68
4812248325	416	4812248648	68
4812248326	416	4812248651	202
4812248332	378	4812248652	202
4812248339	390	4812248660	52
4812248340	390	4812248661	232
4812248343	214	4812248663	232
4812248360	232	4812248664	232
4812248376	390	4812248665	210
4812248377	390	4812248666	50
4812248398	452	4812248669	232
4812248400	454	4812248670	232
4812248401	412	4812248679	266
4812248402	412	4812248680	266
4812248409	54	4812248681	268
4812248430	216	4812248682	268
4812248431	216	4812248683	266
4812248432	216	4812248687	480
4812248433	216	4812248690	54
4812248434	216	4812248693	390
4812248435	216	4812248694	354
4812248436	216	4812248696	352
4812248437	216	4812248697	354
4812248438	216	4812248698	452
4812248439	216	4812248699	454
4812248443	378	4812248703	354
4812248451	232	4812248704	42, 354
4812248454	410	4812248705	42, 370
4812248457	500	4812248706	370
4812248458	500	4812248713	54
4812248485	94, 96	4812248743	42
4812248493	216	4812248773	500
4812248497	216	4812248776	484
4812248504	54	4812248777	484

4812248785	404	4812249759	478
4812248788	452, 454	4812249761	478
4812248799	216	4812249765	478
4812248800	452, 454	4812249771	478
4812248801	216	4812249772	478
4812248823	462	4812249773	478
4812248825	462	4812249774	480
4812248826	472	4812249776	480
4812248829	472	4812249777	478
4812248905	448	4812249778	478
4812248906	428	4812249781	480
4812248908	440	4812249783	480
4812248909	428	4812249789	480
4812248910	438	4812249794	480
4812248911	428	4812249795	478
4812248998	84	4812249796	478
4812248999	84	4812249797	480
4812249000	172	4812249799	478
4812249193	486	4812249806	480
4812249248	352	4812249809	480
4812249261	458, 486	4812249811	216
4812249262	458, 486	4812249815	162
4812249286	482	4812249817	162
4812249308	482	4812249819	162
4812249414	318	4812249872	56
4812249457	162	4812249965	36, 180
4812249458	164, 166	4812249993	90
4812249462	502	4812249994	90
4812249465	502	4812249995	36, 180
4812249467	62, 66	4812249997	90
4812249471	60	4812269103	2, 6, 8, 356
4812249472	60	4812270220	364, 414
4812249496	452, 454	4812270278	364, 460
4812249580	216	4812270279	306
4812249588	216	4812270280	356
4812249594	156	4812273240	2
4812249596	242, 260	4812273241	4
4812249598	136	4812273242	6
4812249599	102	4812273243	8
4812249608	266	4812273318	40, 62
4812249609	54	4812273370	8
4812249613	54	4812273377	10
4812249627	54	4812273378	14
4812249628	54	4812274410	16
4812249629	54	4812274411	20
4812249635	54	4812274412	22
4812249707	480	4812274413	24
4812249734	480	4812274414	26
4812249752	478	4812274490	28
4812249754	478	4812274491	30
4812249755	478	4812274492	32

4812274493	34	4812313214	156
4812274494	40	4812313216	102
4812274546	218	4812313217	172
4812274549	360	4812313218	84
4812274550	360	4812313219	84
4812274557	364	4812313254	40, 62, 62, 66, 76, 76, 82
4812274558	364	4812313270	142
4812274559	368	4812313271	142
4812274560	368	4812313272	142
4812274561	368, 414	4812313293	12
4812274562	368	4812313295	40
4812274563	368	4812315787	324
4812274564	372	5530774600	94, 96
4812274565	372	5530810000	98
4812274566	372	5530999900	214
4812274567	372	5531089300	242, 260
4812274568	372	5540084600	114
4812274569	372	5540112100	344
4812274570	372	5540164900	126, 132
4812274571	372	5540165300	172
4812274572	372	5540204700	172, 428
4812274573	414	5540417700	478
4812274575	40, 62, 66	5541081000	378, 410
4812274581	220	5730007616	52, 172, 376, 428
4812274582	220	5730007656	90, 478
4812274583	220	5730007674	174, 190, 192
4812274584	220	5730008013	144, 162, 168
4812274585	220	5730011229	14, 120
4812274586	220	5730015118	204, 212, 408, 494, 498
4812274587	220	5730015168	408
4812274588	220	5730015196	172
4812313019	238	5730015892	52
4812313020	238	939142511	108
4812313021	238	D380001258	32, 34, 466
4812313022	238	D380001259	32, 34, 470
4812313023	238	D455177804	498
4812313024	236	D499018630	54
4812313025	236	D717011014	130
4812313143	386	D717011016	130
4812313144	386	D717011523	50
4812313145	386	D717012501	56
4812313146	386	D717040509	84
4812313147	386	D717060504	22, 24, 116
4812313153	242, 260	D717061003	22, 24, 122
4812313154	452	D717061004	22, 24, 122
4812313162	48	D717061012	124
4812313168	58	D717061022	22, 122
4812313169	58	D717061023	22, 122
4812313170	58	D717061035	272
4812313204	46	D717080023	332
4812313213	136	D717081527	228

D717081528	228	D717102517	422
D717081533	228	D717103001	44, 394, 398
D717082016	214	D717103002	40, 396
D717083521	266	D717103003	44, 394, 398
D717084545	330	D717103009	394, 398
D717084546	332	D717103010	44, 394, 398
D717084548	332	D717103011	44, 394, 398
D717084554	232, 330	D717103013	382, 394, 398
D717085054	232	D717103014	394, 398
D717085102	232	D717103015	44, 394, 398
D717090502	338	D717103016	44, 380, 396, 400
D717090505	318, 362	D717103017	44, 380
D717091021	228	D717103018	44, 382, 394
D717093506	338	D717103021	44, 394, 398
D717100501	384	D717103022	44, 394
D717100502	388	D717103025	394, 400
D717100505	384	D717103026	380, 396, 400
D717100506	328	D717103029	396, 400
D717101007	380	D717103030	394, 398
D717101010	376	D717103032	394, 398
D717101011	376	D717103035	394, 398
D717101013	44	D717103036	396, 398
D717101014	212	D717104003	380
D717101015	406	D717104004	380
D717101016	376	D717104005	44, 380
D717101018	376	D717104006	44, 380
D717101024	44	D717104007	380
D717101025	44	D717104008	380
D717101026	44	D717104010	380
D717101027	44	D717104011	380
D717101035	378	D717104012	382
D717101039	404	D717104013	382
D717101045	44, 376	D717104014	380
D717101046	44, 376	D717104015	382
D717101047	44, 378	D717104016	380
D717101048	44, 378	D717104017	380, 392
D717101055	404	D717104021	382
D717101501	396, 400	D717104022	382
D717101502	396, 400	D717104023	380
D717101503	396, 400	D717104029	380
D717101504	396, 400	D717104033	380
D717101505	396, 400	D717104037	380
D717101508	376	D717104038	380
D717101509	44, 358	D717104039	380
D717101515	380	D717104041	44, 380
D717102002	376	D717104042	380
D717102502	422, 424	D717104500	376
D717102509	422	D717104503	392
D717102510	422	D717104504	392
D717102511	422	D717104505	392
D717102516	422	D717104506	392

D717104507	392	D717800750	490
D717104508	392	D717800757	274
D717104509	392	D717800785	380, 392, 394, 398
D717104511	392	D717800869	380, 392
D717104515	392	D717800876	396, 398
D717104516	56, 392, 410	D717800883	382, 392, 396, 400
D717104517	392	D717800946	380
D717104519	392	D717800953	380, 392
D717104520	392	D717800967	380
D717104522	392	D717800974	396, 400
D717104523	392	D717801002	396, 400
D717105507	376	D717801009	392
D717113024	396, 398	D717801016	382
D717113043	498	D717801044	394, 398
D717113047	204	D717801058	380, 392, 394, 398, 410
D717170547	254	D717801086	274, 328, 384
D717170600	246	D717801093	380, 392
D717170603	254	D717801100	396, 398
D717170626	254	D717801128	274
D717170628	256	D717801135	274, 384
D717170629	256	D717801142	376, 382, 392, 396, 400
D717170630	242, 260	D717801184	216, 394, 398
D717190001	274	D717801261	394, 398
D717190002	274	D717801268	394, 398
D717190003	274	D717801289	394, 398
D717190004	274	D717801408	318
D717190006	274	D717801513	216
D717191000	274	D717801520	394, 400
D717191500	274	D717801681	274
D717193500	274	D717801688	274
D717410003	498	D717801877	226, 274
D717410004	498	D717801968	330, 362
D717410014	376	D717802045	232
D717410027	498	D717802059	330
D717410028	498	D717802276	358
D717410029	392	D717802290	140
D717410059	504	D717802304	332, 340, 342, 344, 358
D717410115	504	D717802346	318
D717800134	318	D717901502	424
D717800442	212	D717901503	424
D717800449	212	D717901504	424
D717800470	212	D717901505	424
D717800484	274, 384	D717901506	424
D717800505	212	D717905006	392
D717800617	494	D717906001	410
D717800666	380	D717906002	410
D717800680	392, 410	D717906003	410
D717800687	380, 394, 398	D717906004	410
D717800729	272	D717906005	410
D717800736	274, 328, 384	D717906015	410
D717800743	496	D717906501	408

D717906503	408	D717951212	248
D717906505	408	D717951219	248
D717909503	502	D717951247	44
D717909516	214, 232, 502	D717951317	248
D717909518	502	D717951324	248
D717950113	282, 294, 308	D717951331	248
D717950120	282, 294, 308	D717951338	248
D717950127	282, 294, 308	D717951345	248
D717950253	282, 294, 308	D717951352	248
D717950288	282, 294, 308	D717951359	248
D717950295	282, 294, 308	D717951366	248
D717950302	282, 294, 308	D717951373	248
D717950309	282, 294, 308	D717951380	248
D717950316	282, 294, 308	D717951387	248
D717950323	282, 294, 308	D717951394	248
D717950330	282, 294, 308	D717951401	248
D717950337	282, 308	D717951408	248
D717950344	294	D717951415	248
D717950351	282, 294, 308	D717951422	248
D717950358	308	D717951429	248
D717950365	282	D717951436	248
D717950372	282, 294, 308	D717951443	248
D717950379	282, 294, 308	D717951450	248
D717950547	282, 294	D717951457	248
D717950554	282, 294, 308	D717951464	248
D717950561	282, 294, 308	D717951471	248
D717950568	282, 294, 308	D717951478	248
D717950575	282, 294, 308	D717951485	248
D717950582	282, 294, 308	D717951492	248
D717950589	282, 294, 308	D717951499	248
D717950596	282, 308	D717951506	250
D717950603	282, 294, 308	D717951513	250
D717950610	282, 294, 308	D717951520	250
D717950624	282, 294, 308	D717951527	250
D717950645	282, 294, 308	D717951534	250
D717950701	282, 294, 308	D717951541	250
D717951065	282, 294, 308	D717951548	250
D717951072	282, 294, 308	D717951555	250
D717951079	282, 294, 308	D717951562	250
D717951086	282, 294, 308	D717951569	250
D717951093	282, 294, 308	D717951576	250
D717951135	2, 6, 8, 334	D717951583	250
D717951142	334	D717951590	250
D717951156	248	D717951597	250
D717951163	248	D717951604	250
D717951170	248	D717951611	250
D717951177	248	D717951618	250
D717951184	248	D717951625	250
D717951191	248	D717951632	250
D717951198	248	D717951695	44
D717951205	248	D717951800	360, 364, 460

D717951884	48	D717953585	284, 296, 310
D717952374	14	D717953613	284, 296, 310
D717952703	360, 364, 460	D717953641	286, 296, 310
D717952710	360, 364, 460	D717953648	286, 296, 312
D717952717	360, 364, 460	D717953669	286, 296, 312
D717952843	360	D717953697	286, 296, 312
D717952850	360	D717953802	360
D717952864	360, 364, 368, 372, 414, 460	D717953809	360
D717952871	372	D717953844	360
D717952892	282, 294, 308	D717953858	286, 296, 312
D717952976	282, 294, 308	D717953865	286, 298, 312
D717952983	282, 294, 308	D717953872	312
D717952990	284, 294, 308	D717953886	286, 296, 312
D717952997	284, 294, 310	D717953907	298
D717953004	284, 296, 310	D717953928	286, 298, 312
D717953011	284, 310	D717953935	312
D717953018	284, 296, 310	D717953949	286, 298, 312
D717953025	284, 296, 310	D717953956	286, 298, 312
D717953032	284, 296, 310	D717953970	286, 298, 312
D717953046	360	D717953977	286, 298, 312
D717953067	284, 296, 310	D717953998	286, 298, 312
D717953102	284, 296, 310	D717954005	286, 298, 312
D717953109	284, 296, 310	D717954019	286, 298, 312
D717953284	284, 296, 310	D717954026	286, 298, 312
D717953291	284, 296, 310	D717954047	286, 298, 312
D717953305	284, 296, 310	D717954061	286, 312
D717953319	284, 296, 310	D717954068	286, 298, 312
D717953326	284, 296, 310	D717954075	286, 298, 312
D717953333	284, 296, 310	D717954089	298
D717953340	310	D717954103	286, 298, 312
D717953347	284, 296, 310	D717954110	286, 298, 312
D717953354	284, 296, 310	D717954117	286, 298, 312
D717953361	284, 296, 310	D717954124	286, 298, 312
D717953368	284, 296, 310	D717954152	286, 298, 312
D717953375	310	D717954159	286, 298, 312
D717953382	284	D717954166	286, 298, 312
D717953389	284, 296, 310	D717954173	360
D717953410	284, 296, 310	D717954663	280
D717953431	284, 296, 310	D717954768	386
D717953438	284, 296, 310	D717954852	368
D717953452	284, 296, 310	D756087635	212
D717953459	284, 296, 310	D930205010	126, 132, 478
D717953473	310	D930235495	62, 66, 390
D717953480	284	D930240616	60
D717953494	284	D930290084	172
D717953501	284, 296, 310	D930421803	50
D717953508	284, 296, 310	D930458510	230, 332
D717953515	284, 296, 310	D931500924	152, 154
D717953522	284, 296, 310	D934349005	216, 230
D717953529	284, 296, 310	D934349107	214
D717953536	284, 296, 310	D934349115	230

D934360025	52
D934362030	138, 270
D934400009	266
D934400180	132
D934801313	62, 66
D934803416	94, 96
D935004120	478
D935555011	418
D935555017	418
D935555047	418
D935555205	418
D936001597	144, 152, 154, 162
D936004849	478
D936870016	330
D936882005	208
D937932512	22, 122
D938111422	370
D938116929	124, 322
D938150770	176
D938150880	52
D938155547	376
D938170982	242, 262
D938501002	378
D938970278	274
D939130018	16, 198
D939142511	112
D939505023	62, 66, 72, 76
D939505037	90, 378
D939515032	212
D939515040	126, 132, 480
D939570011	408
D939776113	52, 56, 72, 74, 76, 78, 80, 82, 110, 128, 134, 242, 260, 378, 390, 410, 452, 454, 456
D939776115	20, 52, 68, 90, 98, 106, 108, 112, 116, 168, 198, 208, 212, 228, 232, 242, 260, 330, 416
D939776117	50, 68, 198, 212, 228, 244, 262, 332
D939776124	16, 52, 114, 172, 258, 264, 376
D939776129	124, 126, 132, 212, 242, 246, 260, 322
D939776134	42, 84
D953509710	62, 66, 502
D956052003	498
D956052005	500
D956201111	416
D956921601	184
D961102056	50
D961175211	502
D961906006	50
D966957211	320
D977384156	68, 74
D990000268	500

Any unauthorized use or copying of the contents or any part thereof is prohibited.
This applies in particular to trademarks, model denominations, part numbers, and drawings.

